

ing System Kasa Profili Frame Profile **Pervazlı Kasa Profili** Frame Profile Sabit Kasa Profili Frame
Kanat Adaptörü Adapter Profile For Double Vent **Panjur Lamel Profili** Roller Shutter Profile
nel Dönüş Borusu Pipe of Axial Turn Köşe Profili Corner Profile **L I N E A**
ROSSA Teknik Katalog Technical Catalogue Linea Rossa Design SRL Milano LR4500
Fixed Baza Profili Kick Plate Kayıt Profili Sash Profile **PVC Kanallı Kanat Profili** Sash Profile
Tij Profili Rod Profile **L I N E A R O S S A** Eksenel Dönüş Axial Turn Eksenel
S A Pervaz Armature Profile Lambri Panelling Profile Cam Çıtası Glazing Bead **Cam Genişliği**
ing System Kasa Profili Frame Profile **Pervazlı Kasa Profili** Frame Profile Sabit Kasa Profili Frame
Kanat Adaptörü Adapter Profile For Double Vent **Panjur Lamel Profili** Roller Shutter Profile
nel Dönüş Borusu Pipe of Axial Turn Köşe Profili Corner Profile **L I N E A**
ROSSA Teknik Katalog Technical Catalogue Linea Rossa Design SRL Milano LR4500
Fixed Baza Profili Kick Plate Kayıt Profili Sash Profile **PVC Kanallı Kanat Profili** Sash Profile
designed by **L I N E A R O S S A** Eksenel Dönüş Axial Turn Eksenel
S A Pervaz Armature Profile Lambri Panelling Profile Cam Çıtası Glazing Bead **Cam Genişliği**

L I N E A R O S S A
M I L A N O

LR4500
OPENING SYSTEM

TEKNİK KATALOG
TECHNICAL CATALOGUE



LINEA ROSSA Teknik Katalog Technical Catalogue Linea Rossa Design SRL Milano LR4500
Opening System Kasa Profili Frame Profile **Pervazlı Kasa Profili** **Frame Profile** Sabit Kasa Profili Frame
Fixed Baza Profili Kick Plate Kayıt Profili Sash Profile **PVC Kanallı Kanat Profili** Sash Profile Çift
Kanat Adaptörü Adapter Profile For Double Vent **Panjur Lamel Profili** Roller Shutter Profile **Tij**
Profili Rod Profile **LINEA ROSSA** Eksenel Dönüş Axial Turn Eksenel
Dönüş Borusu Pipe of Axial Turn Köşe Profili Corner Profile **LINEA**

ROSSA Pervaz Armature Profile Lambri Panelling Profile Cam Çıtası Glazing Bead **Cam**
Genişliği **LINEA ROSSA** Teknik Katalog Technical Catalogue Linea Rossa Design SRL Milano
LR4500 Opening System Kasa Profili Frame Profile **Pervazlı Kasa Profili** **Frame Profile** Sabit Kasa Profili
Frame Fixed Baza Profili Kick Plate Kayıt Profili Sash Profile **PVC Kanallı Kanat Profili** Sash
Profile Çift Kanat Adaptörü Adapter Profile For Double Vent **Panjur Lamel Profili** Roller Shutter
Profile **Tij Profili Rod Profile** **LINEA ROSSA** Eksenel Dönüş Axial Turn
Eksenel Dönüş Borusu Pipe of Axial Turn Köşe Profili Corner Profile **LINEA**

LINEA ROSSA

ROSSA Pervaz Armature Profile Lambri Panelling Profile Cam Çıtası Glazing Bead **Cam**

Genişliği **LINEA RO**

LR4500 Opening System Kasa
Frame Fixed Baza Profili

Profile Çift Kanat Adaptörü Adapte

Profile **Tij Profili Rod Profile** **LINEA ROSSA** Eksenel Dönüş Axial Turn
Eksenel Dönüş Borusu Pipe of Axial Turn Köşe Profili Corner Profile **LINEA**

ROSSA Pervaz Armature Profile Lambri Panelling Profile Cam Çıtası Glazing Bead **Cam**

Genişliği **LINEA ROSSA** Teknik Katalog Technical Catalogue Linea Rossa Design SRL Milano

LR4500 Opening System Kasa Profili Frame Profile **Pervazlı Kasa Profili** **Frame Profile** Sabit Kasa Profili
Frame Fixed Baza Profili Kick Plate Kayıt Profili Sash Profile **PVC Kanallı Kanat Profili** Sash
Profile Çift Kanat Adaptörü Adapter Profile For Double Vent **Panjur Lamel Profili** Roller Shutter
Profile **Tij Profili Rod Profile** **LINEA ROSSA** Eksenel Dönüş Axial Turn

Eksenel Dönüş Borusu Pipe of Axial Turn Köşe Profili Corner Profile **LINEA**

ROSSA Pervaz Armature Profile Lambri Panelling Profile Cam Çıtası Glazing Bead **Cam**

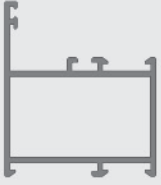
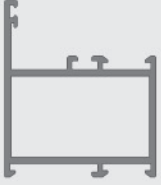
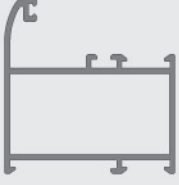


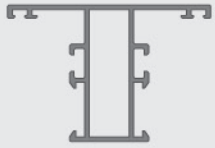
Genişliği **LINEA ROSSA** Teknik Katalog Technical Catalogue Linea Rossa Design SRL Milano

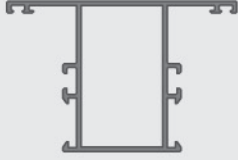
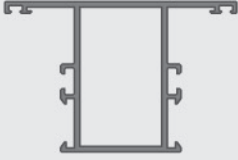
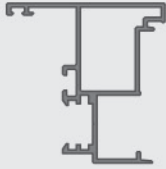
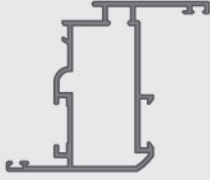
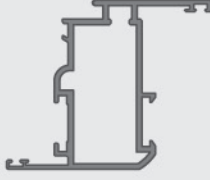
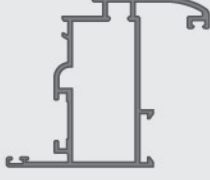
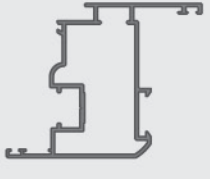
LR4500 Opening System Kasa Profili Frame Profile **Pervazlı Kasa Profili** **Frame Profile** Sabit Kasa Profili
Frame Fixed Baza Profili Kick Plate Kayıt Profili Sash Profile **PVC Kanallı Kanat Profili** Sash
Profile Çift Kanat Adaptörü Adapter Profile For Double Vent **Panjur Lamel Profili** Roller Shutter
Profile **Tij Profili Rod Profile** **LINEA ROSSA** Eksenel Dönüş Axial

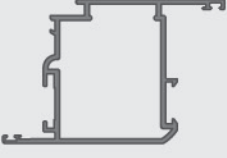
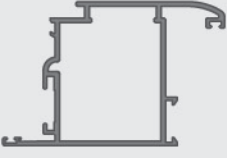
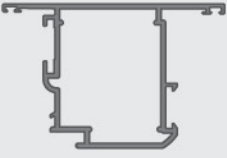
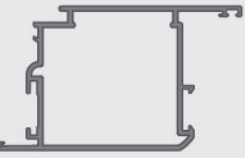



Profile **Tij Profili Rod Profile** **LINEA ROSSA** Eksenel Dönüş Axial

LR4500
OPENING SYSTEM

TEKNİK KATALOG
İÇİNDEKİLER

Profil Profile	Profil Kodu Profile Nr	X mm Y mm	Ix cm ⁴ Iy cm ⁴	Ağırlık Kg/m. Weight Kg/m.	Sayfa Page
	LR-4501	55 mm. 63,7 mm.	18,45 10,44	1.049	08 20 21 22 23 28
	LR-4502	55 mm. 64,5 mm.	21,73 12,37	1.252	08
	LR-4503	55 mm. 63,7 mm.	24,45 12,53	1.150	08
	LR-4509	120 mm. 55 mm.	71,35 28,95	1.508	09
	LR-4510	150 mm. 55 mm.	164,17 38,28	2.050	09 24
	LR-4511	68,4 mm. 55 mm.	17,48 8,72	1.227	10

Profil Profile	Profil Kodu Profile Nr	X mm Y mm	Ix cm ⁴ Iy cm ⁴	Ağırlık Kg/m. Weight Kg/m.	Sayfa Page
	LR-4512	84,2 mm. 55 mm.	18,84 17,90	1.185	10 24 25
	LR-4513	85 mm. 55 mm.	22,31 20,64	1.407	10
	LR-4515	58 mm. 58,5 mm.	14,58 6,37	0.949	14 26
	LR-4521	74,3 mm. 62 mm.	26,76 8,12	1.178	11 21 25 26
	LR-4522	75,1 mm. 62 mm.	30,73 9,84	1.406	11
	LR-4523	74,3 mm. 62 mm.	28,17 8,73	1.207	11
	LR-4524	78,6 mm. 62 mm.	26,53 9,18	1.152	11

Profil Profile	Profil Kodu Profile Nr	X mm Y mm	Ix cm ⁴ Iy cm ⁴	Ağırlık Kg/m. Weight Kg/m.	Sayfa Page
	LR-4526	95,6 mm. 62 mm.	45,93 23,82	1.657	01-03 02-05
	LR-4527	95,6 mm. 62 mm.	49,24 23,84	1.685	12 22 23
	LR-4528	95,6 mm. 62 mm.	35,45 33,60	1.673	12
	LR-4529	110 mm. 62 mm.	64,31 33,01	1.813	13
	LR-4555	55 mm. 12,43 mm.	4,56 0,13	0.398	15 17
	LR-4151	30,58 mm. 43,6 mm.	2,81 0,54	0.330	15
	4016	18,9 mm. 4,3 mm.	0,16 0,07	0.138	14

Profil Profile	Profil Kodu Profile Nr	X mm Y mm	Ix cm ⁴ Iy cm ⁴	Ağırlık Kg/m. Weight Kg/m.	Sayfa Page
	LR-4137	18,90 mm. 24,85 mm.	0,45 0,09	0.160	17
	LR-4136	18,90 mm. 24,85 mm.	0,55 0,17	0.223	17
	LR-4132	18,90 mm. 24,85 mm.	0,57 0,28	0.225	17
	LR-4135	18,90 mm. 24,85 mm.	0,61 0,46	0.246	17
	LR-4134	21,70 mm. 24,85 mm.	0,68 0,55	0.264	16
	LR-4532	23,70 mm. 24,85 mm.	0,79 0,56	0.283	16
	LR-4133	25,20 mm. 24,85 mm.	0,85 0,57	0.290	16
	LR-4131	29,70 mm. 24,85 mm.	1,10 0,60	0.298	16
	LR-5132	33,70 mm. 24,85 mm.	1,40 0,61	0.319	16
	LR-4531	38,70 mm. 24,85 mm.	1,89 0,63	0.350	16



LINEA ROSSA

LR4500

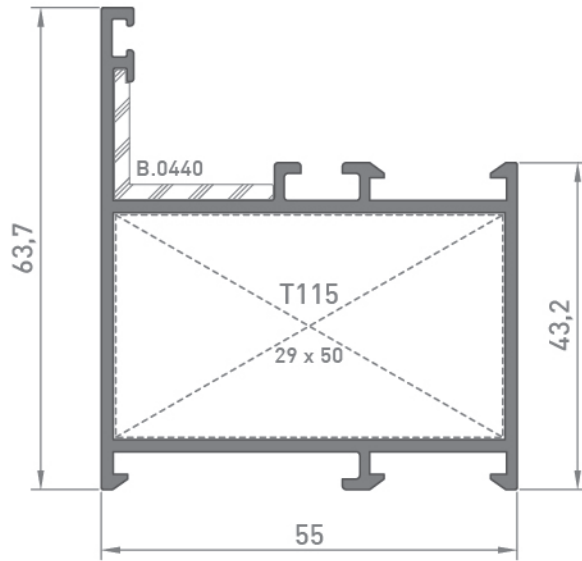
OPENING SYSTEM

TEKNİK KATALOG PROFİLLER

Kasa Profili - Frame Profile

1,049 Kg/m

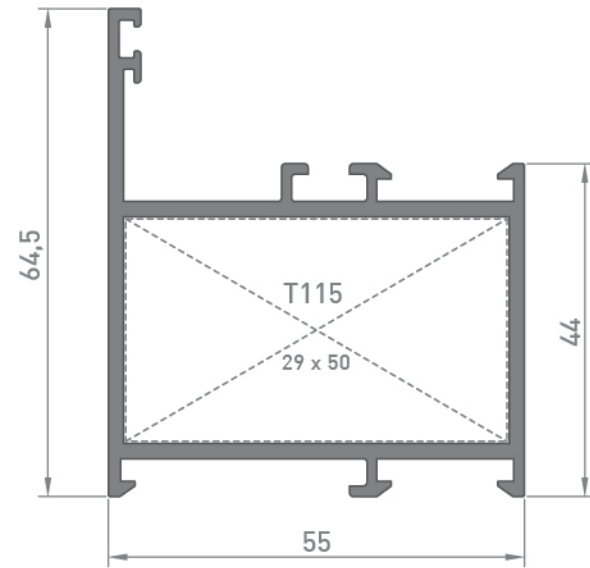
LR-4501



Kasa Profili - Frame Profile

1,252 Kg/m

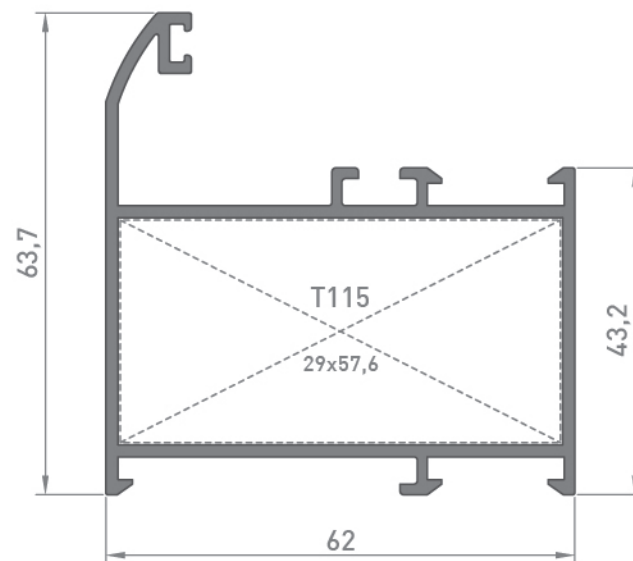
LR-4502



Kasa Profili - Frame Profile

1,150 Kg/m

LR-4503



Baza Profili - Kick Plate

2,050 Kg/m

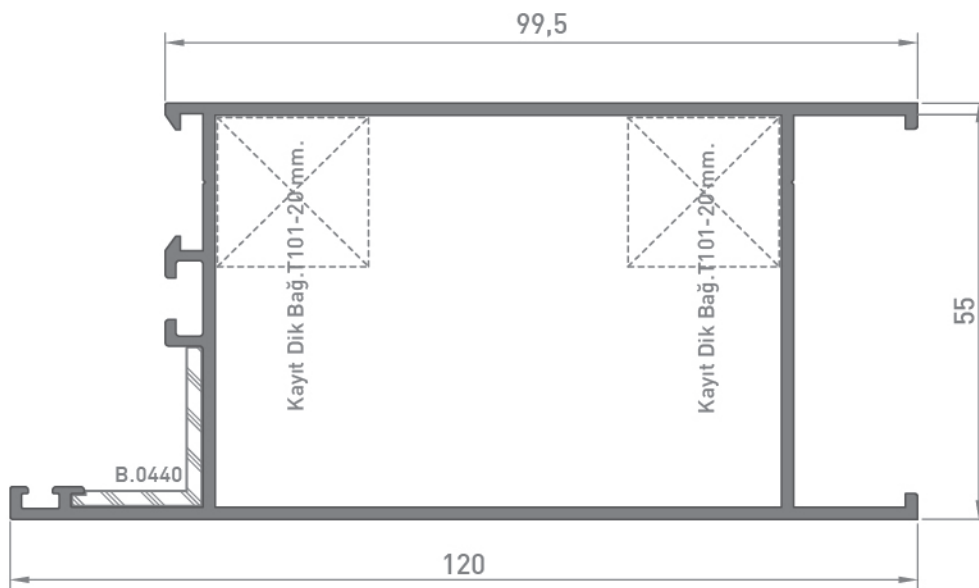
LR-4510



Baza Profili - Kick Plate

1,508 Kg/m

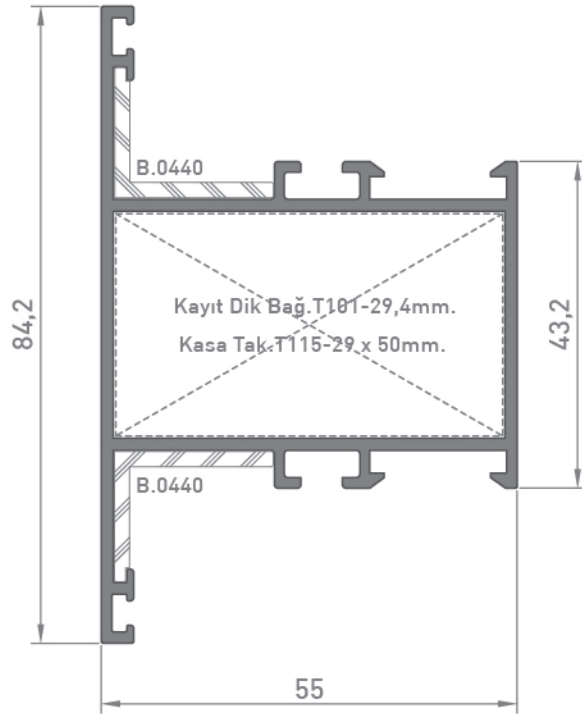
LR-4509



Kayıt Profili - Transom Profile

1,185 Kg/m

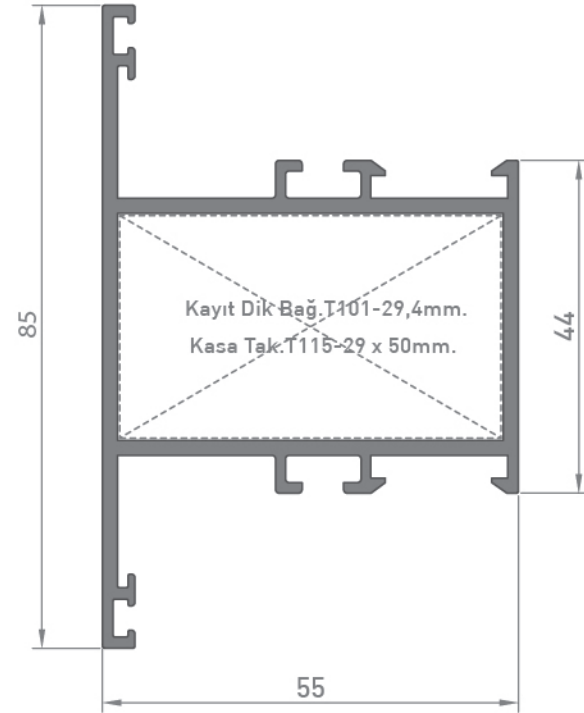
LR-4512



Kayıt Profili - Transom Profile

1,407 Kg/m

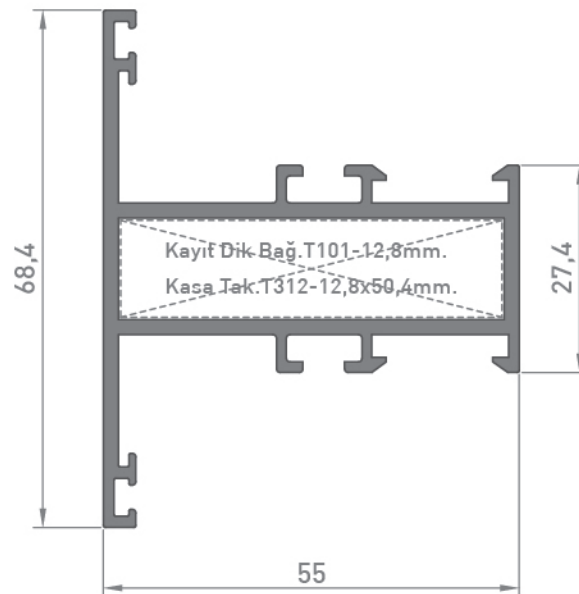
LR-4513



Kanat Profili - Sash Profile

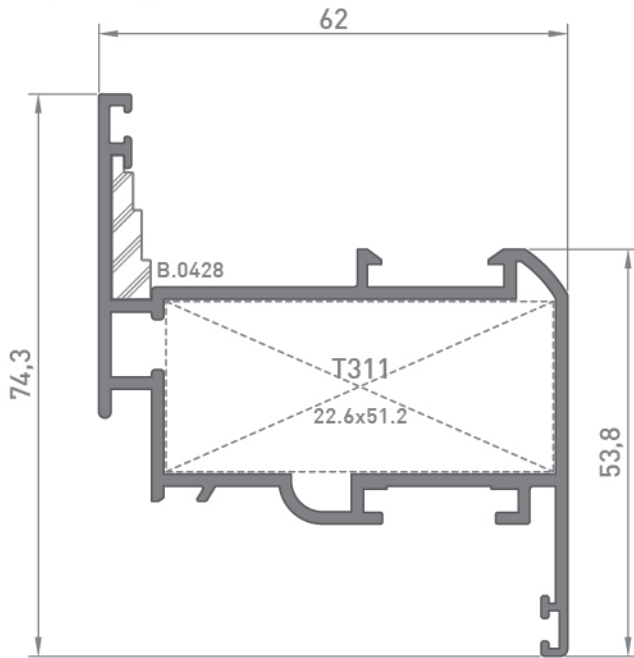
1,227 Kg/m

LR-4511



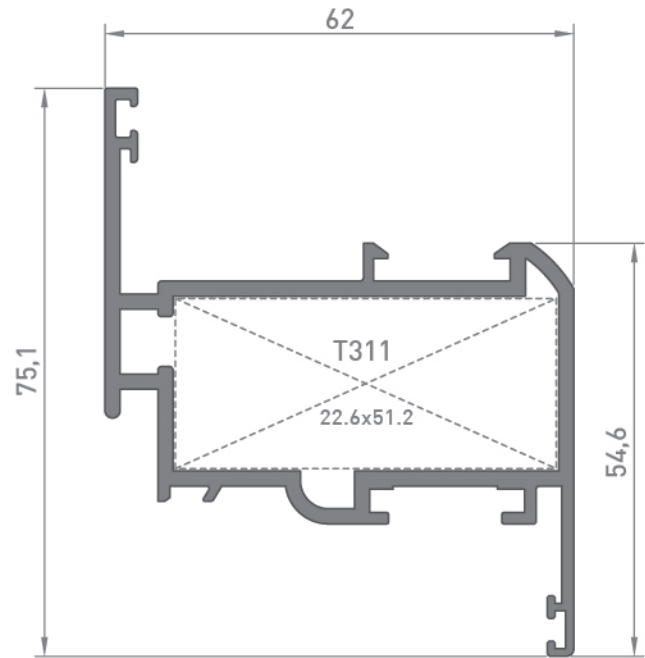
Kanat Profili - Sash Profile

1,178 Kg/m LR-4521



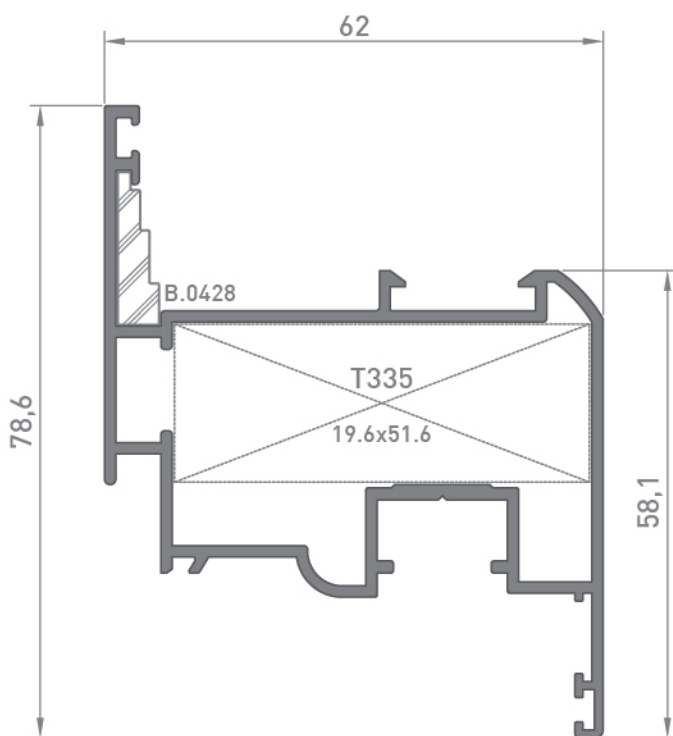
Kanat Profili - Sash Profile

1,406 Kg/m LR-4522



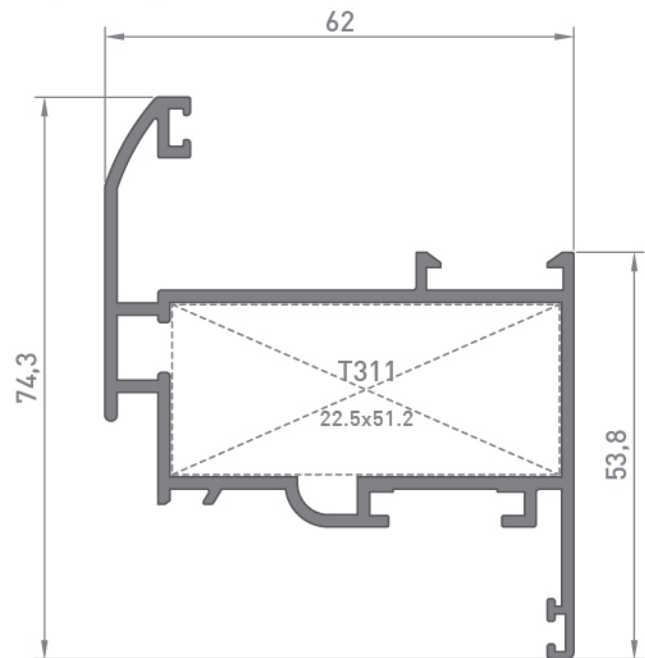
Kanat Profili - Sash Profile

1,152 Kg/m LR-4524



Kanat Profili - Sash Profile

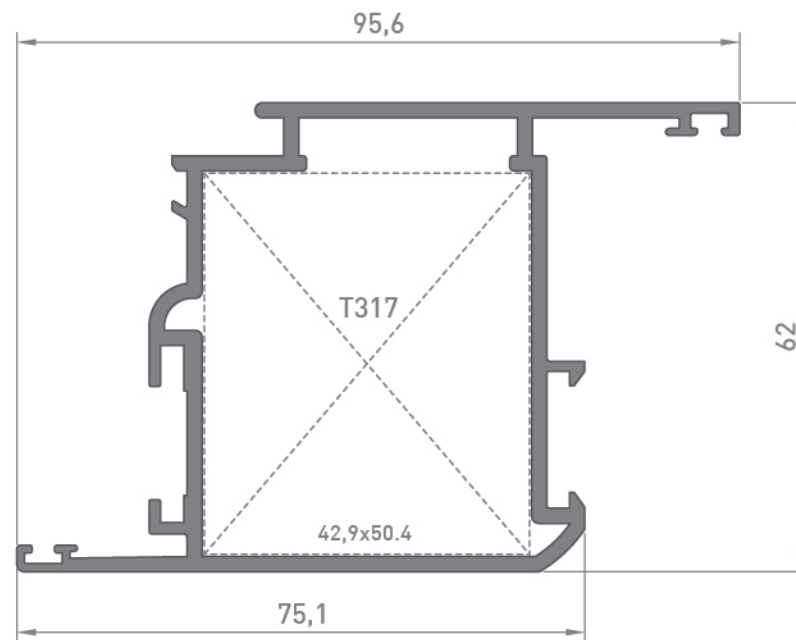
1,207 Kg/m LR-4523



Kanat Profili - Sash Profile

1,657 Kg/m

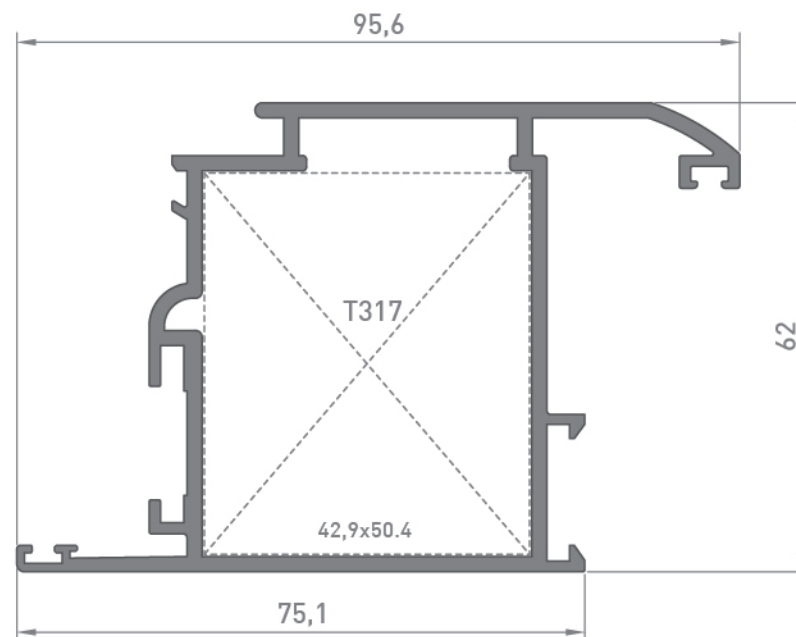
LR-4526



Kanat Profili - Sash Profile

1,685 Kg/m

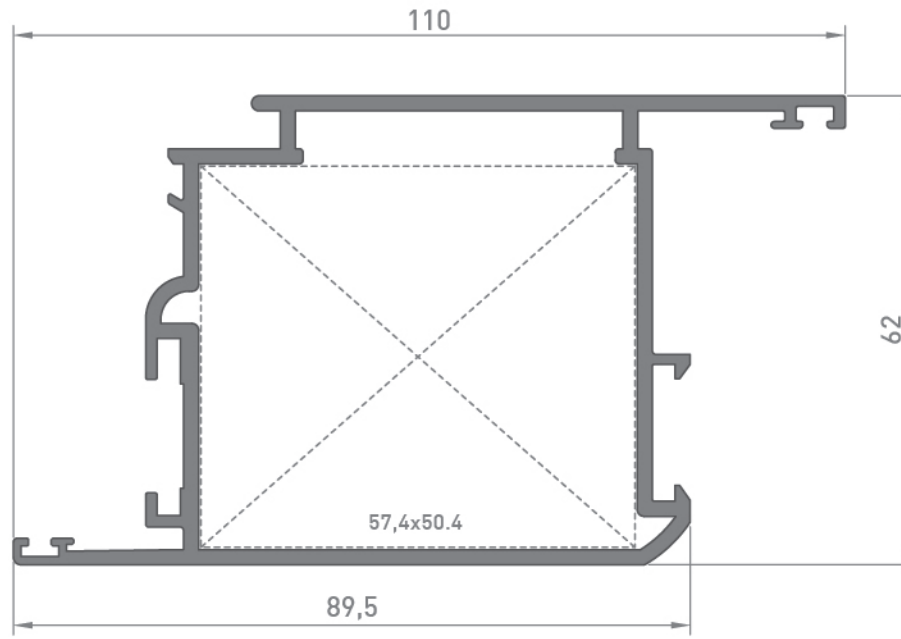
LR-4527



Kanat Profili - Sash Profile

1,813 Kg/m

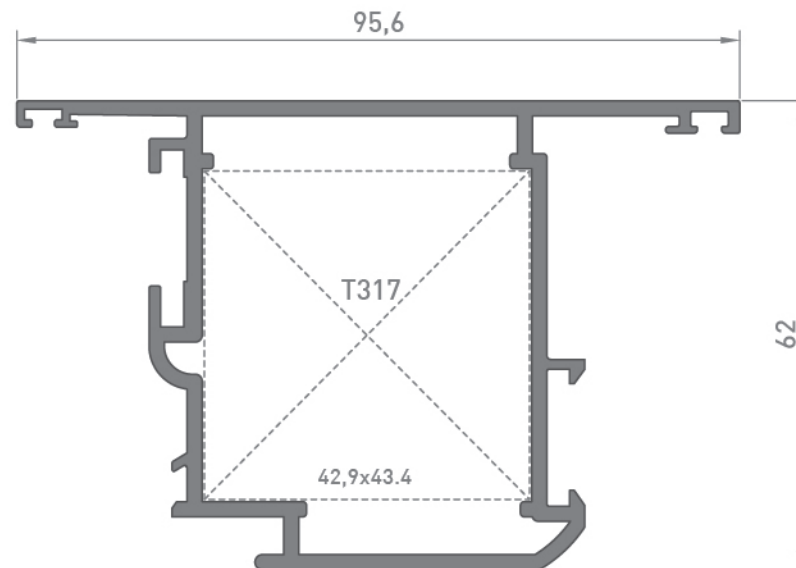
LR-4529



Kanat Profili - Sash Profile

1,673 Kg/m

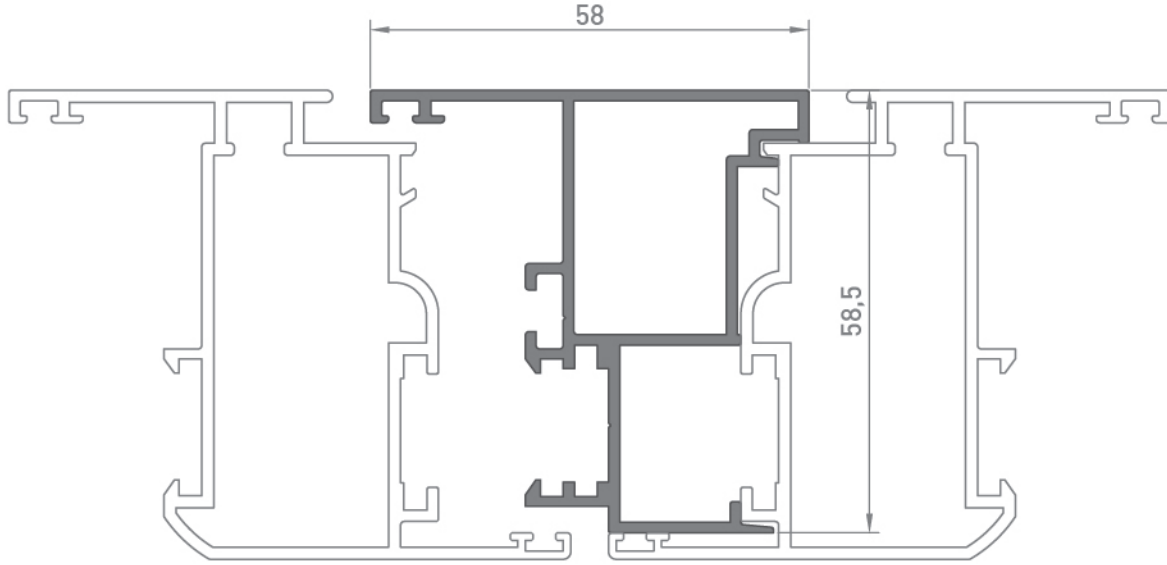
LR-4528



Çift Kanat Adaptörü - Adapter Profile For Double Vent

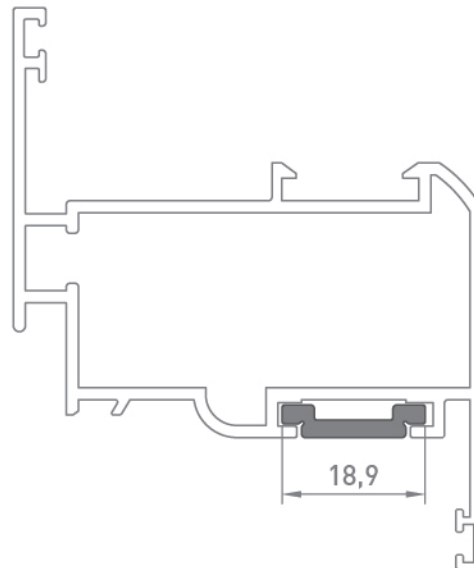
0,949 Kg/m

LR-4515

**Tij Profili - Rod Profile**

0,138 Kg/m

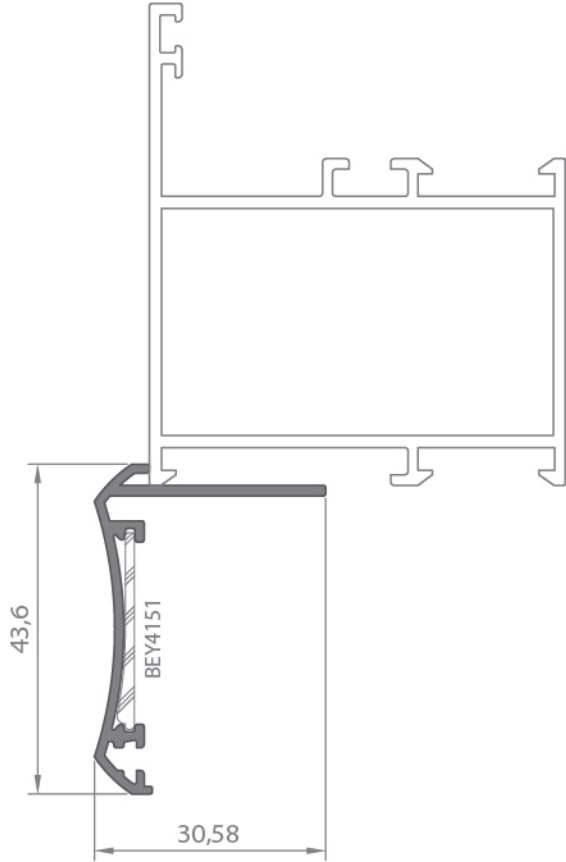
4016



Pervaz - Armature Profile

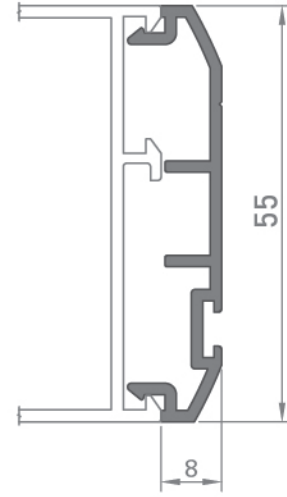
0,330 Kg/m

LR-4151

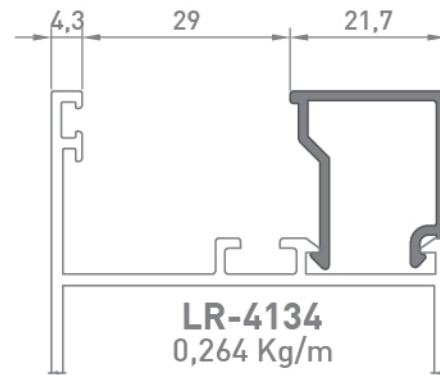
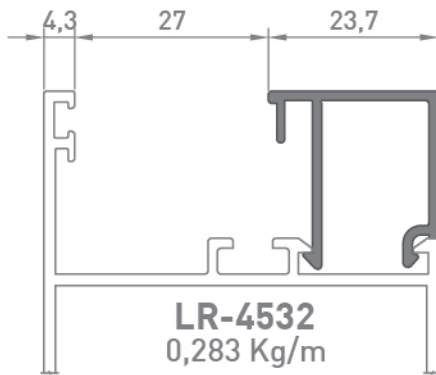
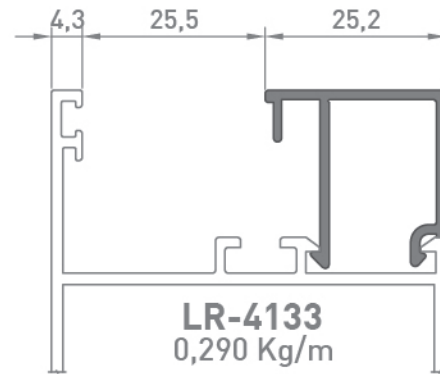
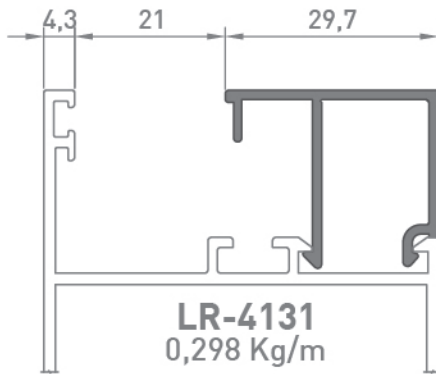
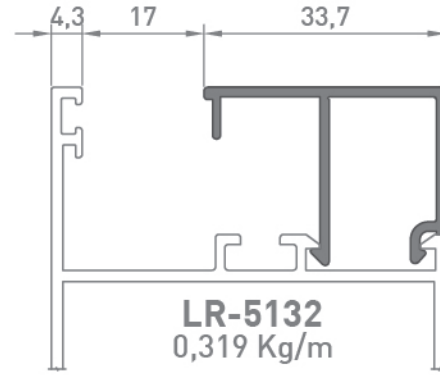
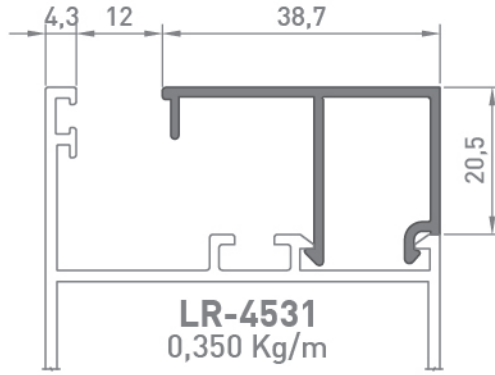
**Çarpma Kapı Adaptörü
Adapter Profile For Swing Door**

0,398 Kg./m.

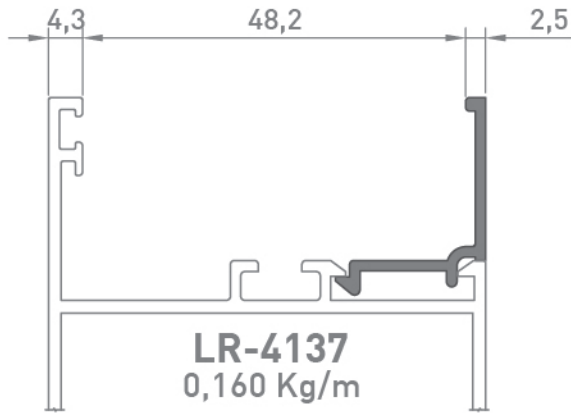
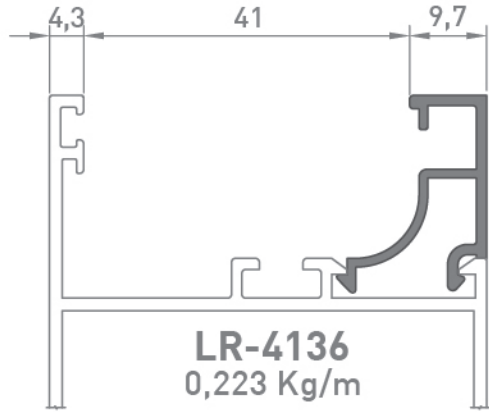
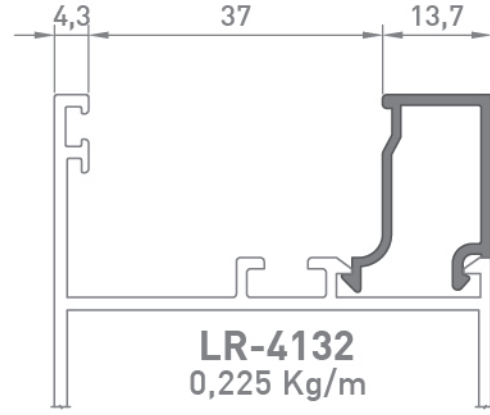
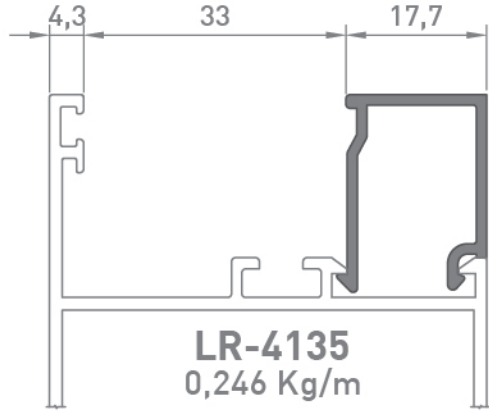
LR-4555



Cam Çıtası - Glazing Bead



Cam Çıtası - Glazing Bead



Cam Kalınlığı	Çıta Profili	İç Cam Fiteli	Dış Cam Fiteli
4 mm	LR-4531	BM-05 (5mm)	BM-26
5 mm	LR-4531	BM-04 (4 mm)	BM-26
6 mm	LR-4531	BM-06 (2,5-3mm)	BM-26
8 mm	LR-5132	BM-05 (5 mm)	BM-26
10 mm	LR-5132	BM-04 (4mm)	BM-26
12 mm	LR-5132	BM-27 (1,5-2mm)	BM-26
14 mm	LR-4131	BM-04 (4mm)	BM-26
16 mm	LR-4133	BM-05 (5 mm)	BM-26
18 mm	LR-4133	BM-04 (4mm)	BM-26
20 mm	LR-4532	BM-04 (4mm)	BM-26
22 mm	LR-4132	BM-27 (1,5-2mm)	BM-26
24 mm	LR-4134	BM-27 (1,5-2mm)	BM-26
26 mm	LR-4135	BM-04 (4mm)	BM-26
30 mm	LR-4132	BM-04 (4mm)	BM-26

İç Cam Fiteli	İç Cam Fiteli	İç Cam Fiteli	İç Cam Fiteli	Dış Cam Fiteli	Kasa Fiteli	Kanat Fiteli	Bini Fiteli
BM-27 (1,5-2mm)	BM-06 (2,5-3mm)	BM-04 (4 mm)	BM-05 (5 mm)	BM-26 (3,5 mm)	BM-21	BM-25	BM-51
265 mt.	190 mt.	160 mt.	190 mt.	226 mt.	340 mt.	400 mt.	103 mt.

LINEA ROSSA Teknik Katalog Technical Catalogue Linea Rossa Design SRL Milano LR4500
Opening System Kasa Profili Frame Profile **Pervazlı Kasa Profili** **Frame Profile** Sabit Kasa Profili Frame
Fixed Baza Profili Kick Plate Kayıt Profili Sash Profile **PVC Kanallı Kanat Profili** Sash Profile Çift
Kanat Adaptörü Adapter Profile For Double Vent **Panjur Lamel Profili** Roller Shutter Profile **Tij**
Profili Rod Profile **LINEA ROSSA** Eksenel Dönüş Axial Turn Eksenel
Dönüş Borusu Pipe of Axial Turn Köşe Profili Corner Profile **LINEA**

ROSSA Pervaz Armature Profile Lambri Panelling Profile Cam Çıtası Glazing Bead **Cam**
Genişliği **LINEA ROSSA** Teknik Katalog Technical Catalogue Linea Rossa Design SRL Milano
LR4500 Opening System Kasa Profili Frame Profile **Pervazlı Kasa Profili** **Frame Profile** Sabit Kasa Profili
Frame Fixed Baza Profili Kick Plate Kayıt Profili Sash Profile **PVC Kanallı Kanat Profili** Sash
Profile Çift Kanat Adaptörü Adapter Profile For Double Vent **Panjur Lamel Profili** Roller Shutter
Profile **Tij Profili Rod Profile** **LINEA ROSSA** Eksenel Dönüş Axial Turn
Eksenel Dönüş Borusu Pipe of Axial Turn Köşe Profili Corner Profile **LINEA**

LINEA ROSSA

ROSSA Pervaz Armature Profile Lambri Panelling Profile Cam Çıtası Glazing Bead **Cam**

Genişliği **LINEA RO**

LR4500 Opening System Kasa
Frame Fixed Baza Profili

Profile Çift Kanat Adaptörü Adapte

Profile **Tij Profili Rod Profile** **LINEA ROSSA** Eksenel Dönüş Axial Turn
Eksenel Dönüş Borusu Pipe of Axial Turn Köşe Profili Corner Profile **LINEA**

ROSSA Pervaz Armature Profile Lambri Panelling Profile Cam Çıtası Glazing Bead **Cam**

Genişliği **LINEA ROSSA** Teknik Katalog Technical Catalogue Linea Rossa Design SRL Milano

LR4500 Opening System Kasa Profili Frame Profile **Pervazlı Kasa Profili** **Frame Profile** Sabit Kasa Profili
Frame Fixed Baza Profili Kick Plate Kayıt Profili Sash Profile **PVC Kanallı Kanat Profili** Sash
Profile Çift Kanat Adaptörü Adapter Profile For Double Vent **Panjur Lamel Profili** Roller Shutter
Profile **Tij Profili Rod Profile** **LINEA ROSSA** Eksenel Dönüş Axial Turn

Eksenel Dönüş Borusu Pipe of Axial Turn Köşe Profili Corner Profile **LINEA**

ROSSA Pervaz Armature Profile Lambri Panelling Profile Cam Çıtası Glazing Bead **Cam**

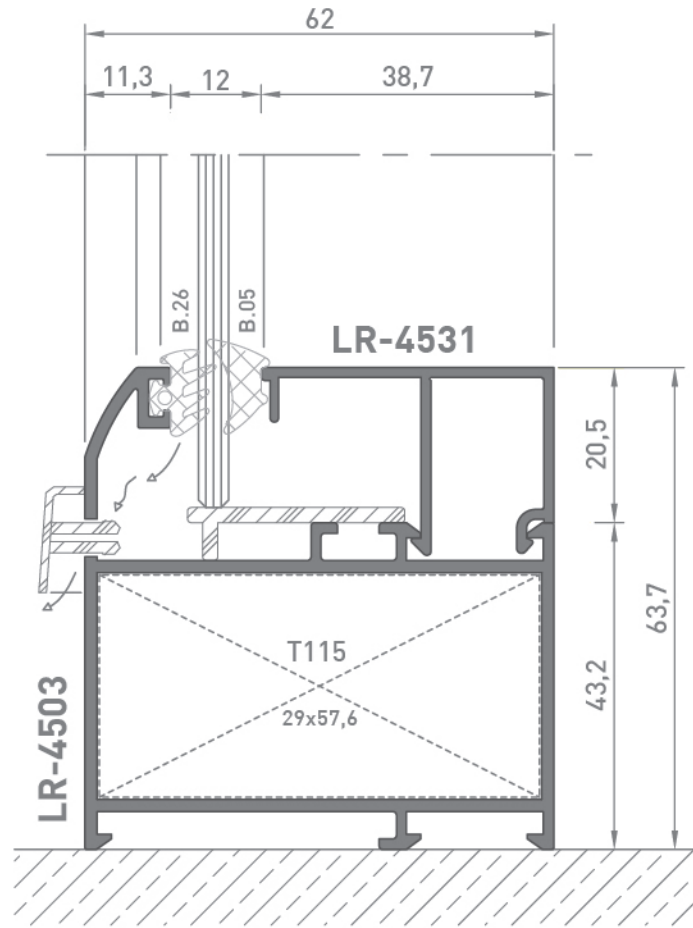
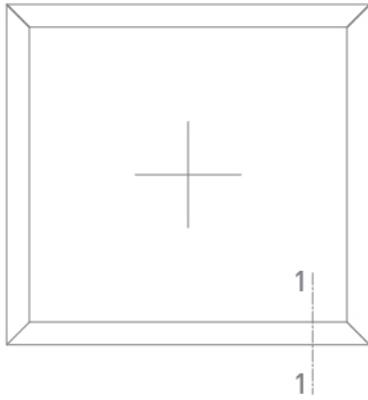
Genişliği **LINEA ROSSA** Teknik Katalog Technical Catalogue Linea Rossa Design SRL Milano

LR4500 Opening System Kasa Profili Frame Profile **Pervazlı Kasa Profili** **Frame Profile** Sabit Kasa Profili
Frame Fixed Baza Profili Kick Plate Kayıt Profili Sash Profile **PVC Kanallı Kanat Profili** Sash
Profile Çift Kanat Adaptörü Adapter Profile For Double Vent **Panjur Lamel Profili** Roller Shutter
Profile **Tij Profili Rod Profile** **LINEA ROSSA** Eksenel Dönüş Axial

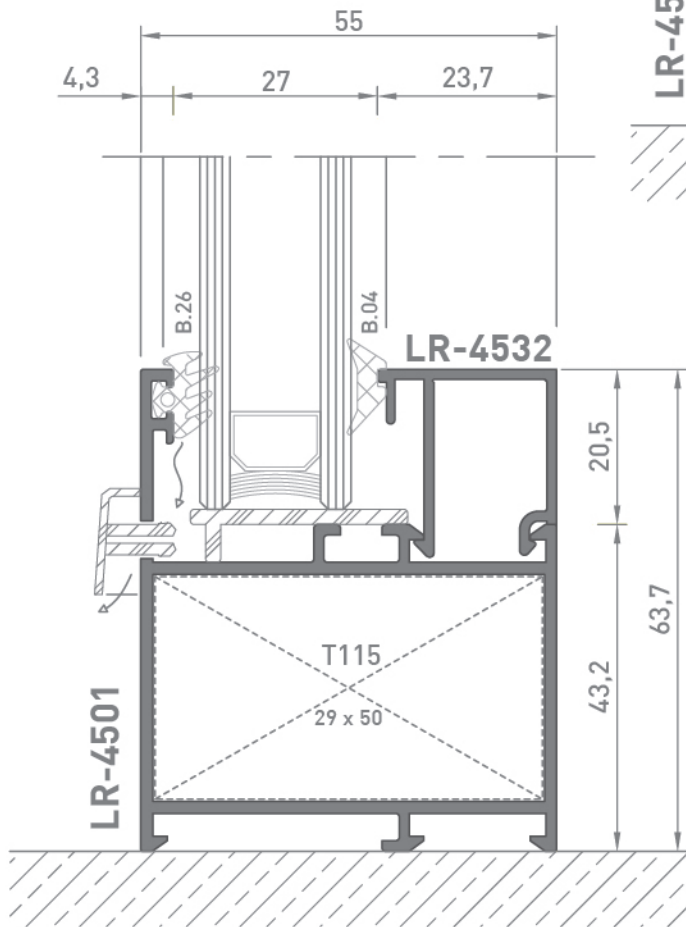
Profile **Tij Profili Rod Profile** **LINEA ROSSA** Eksenel Dönüş Axial

LR4500
OPENING SYSTEM

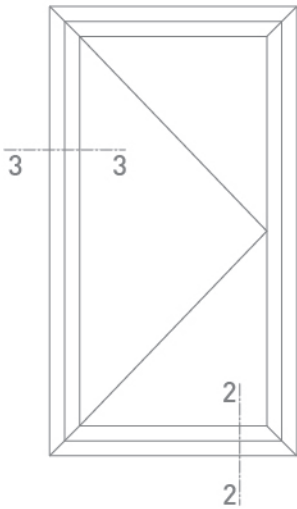
TEKNİK KATALOG
DETAYLAR



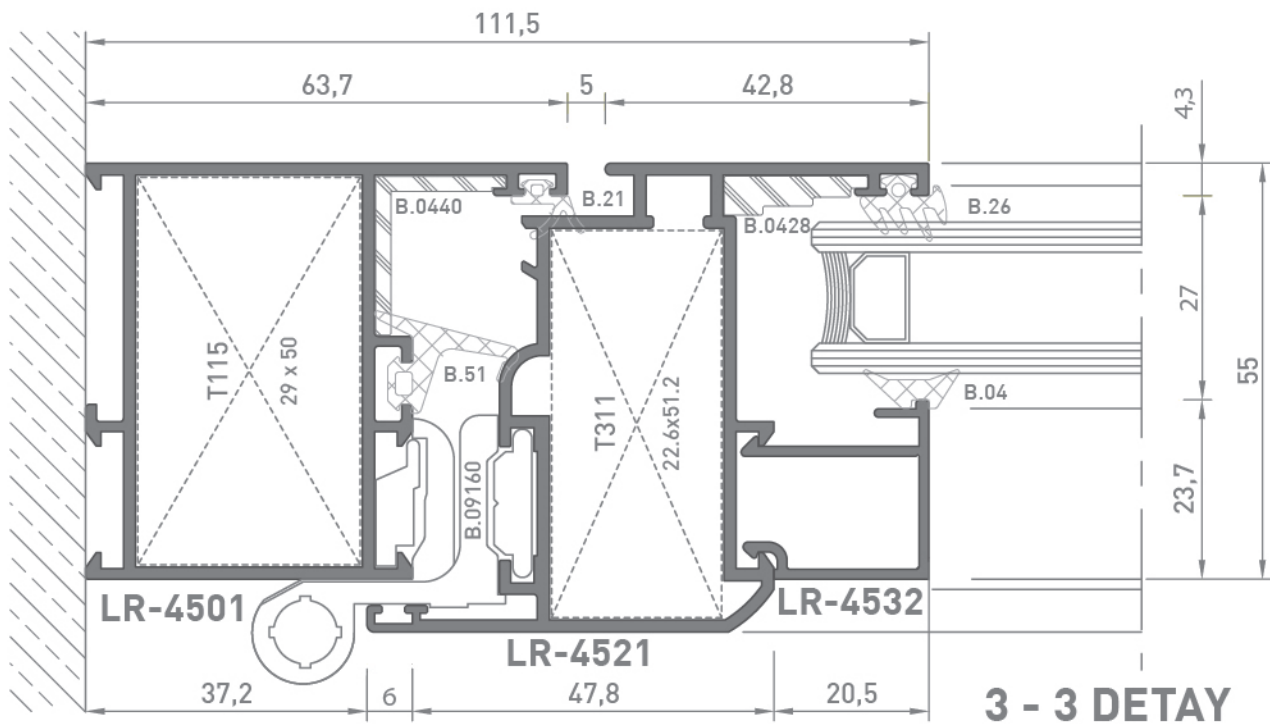
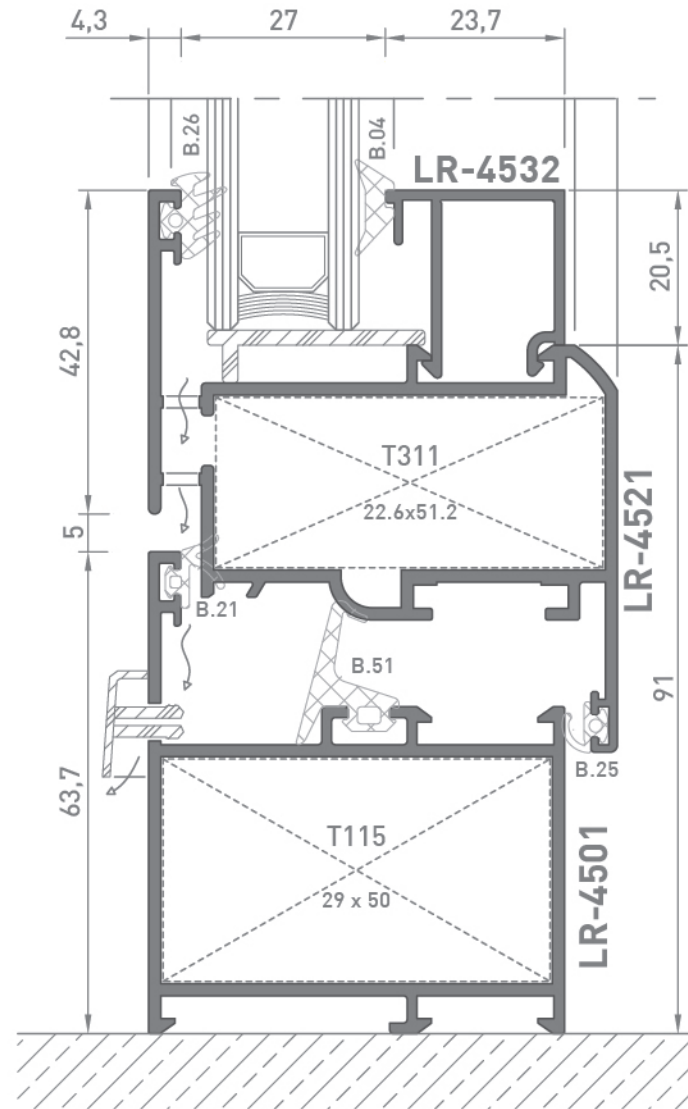
1 - 1 DETAY



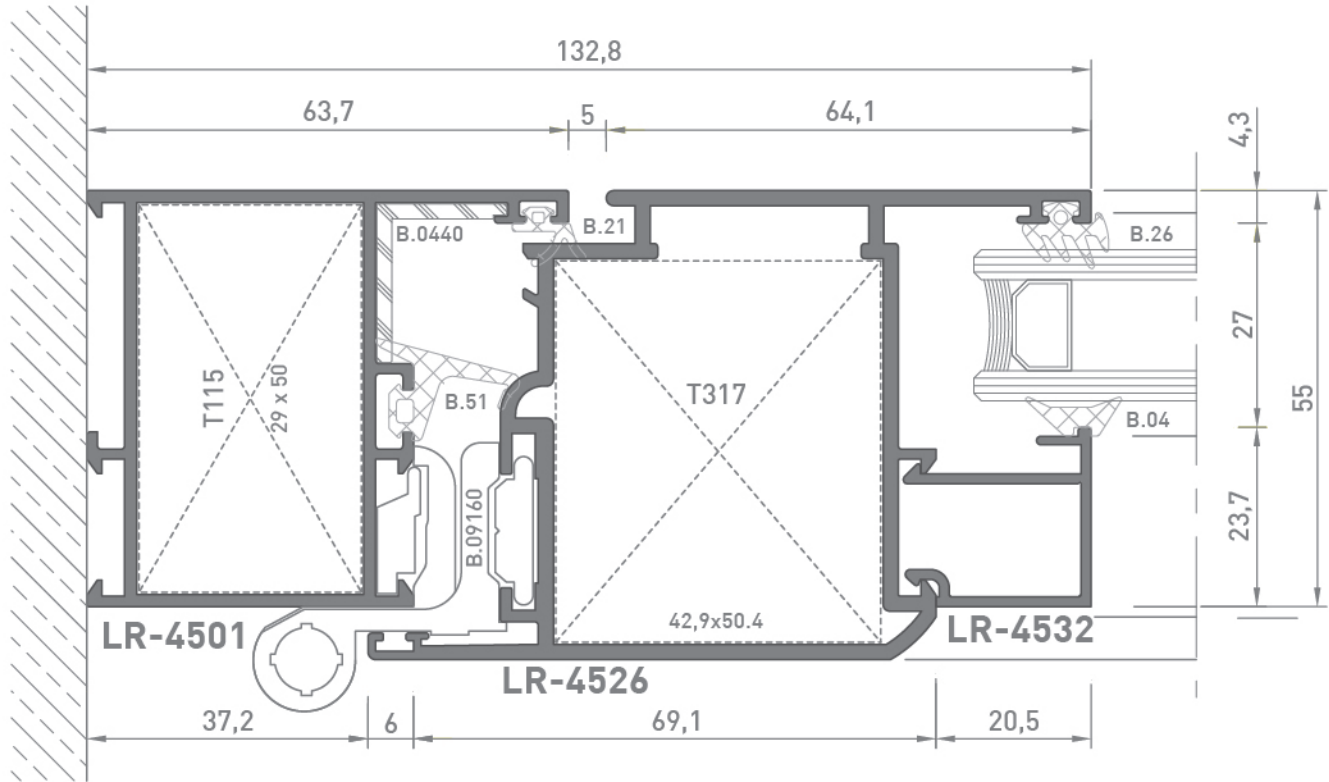
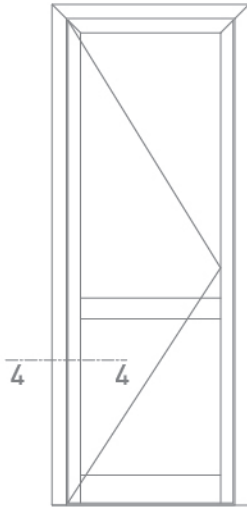
1 - 1 DETAY



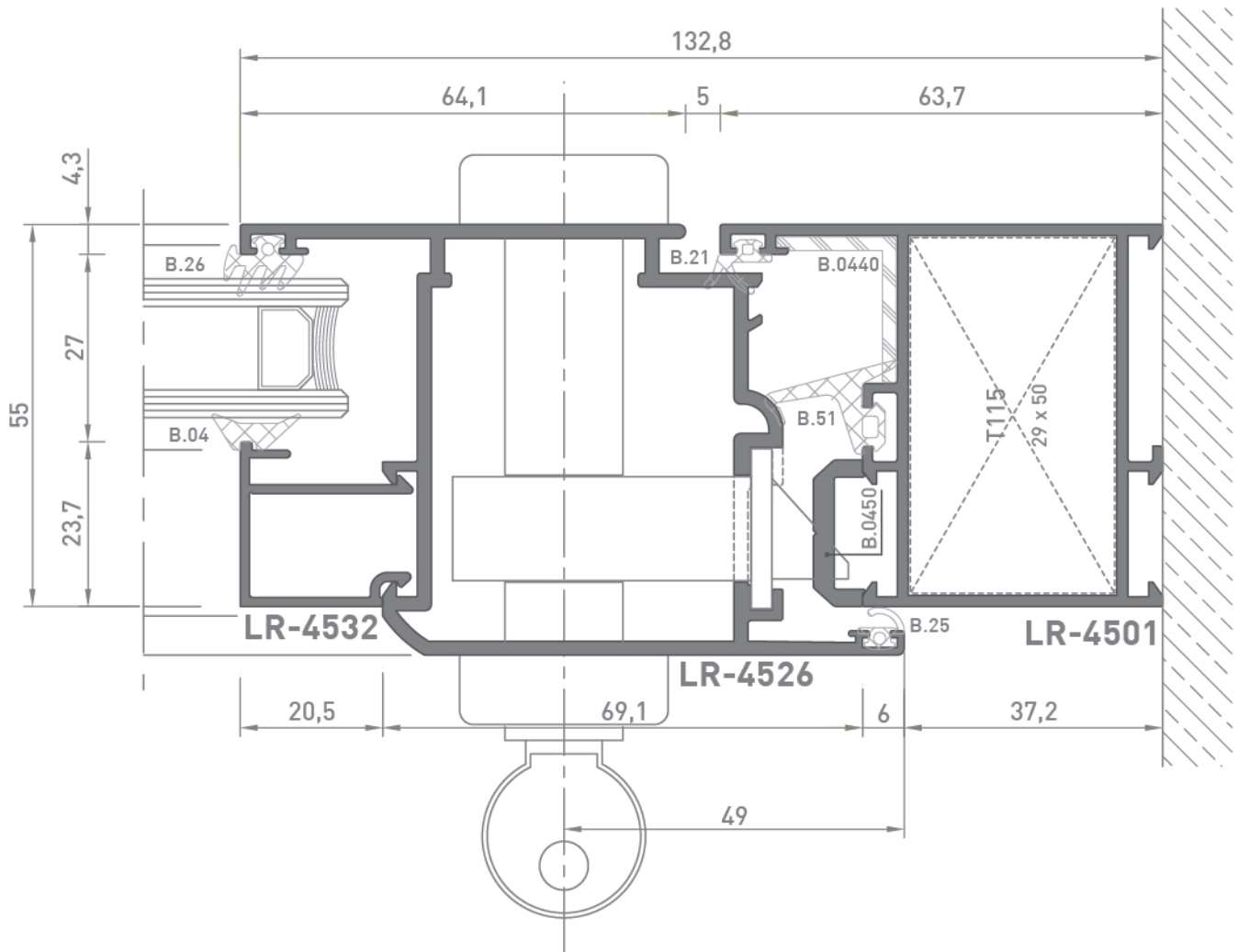
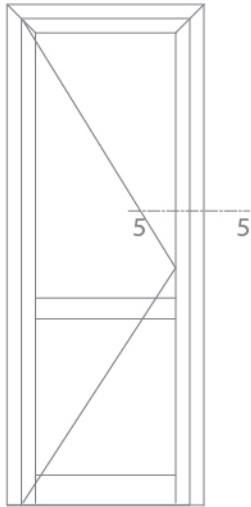
2 - 2 DETAY



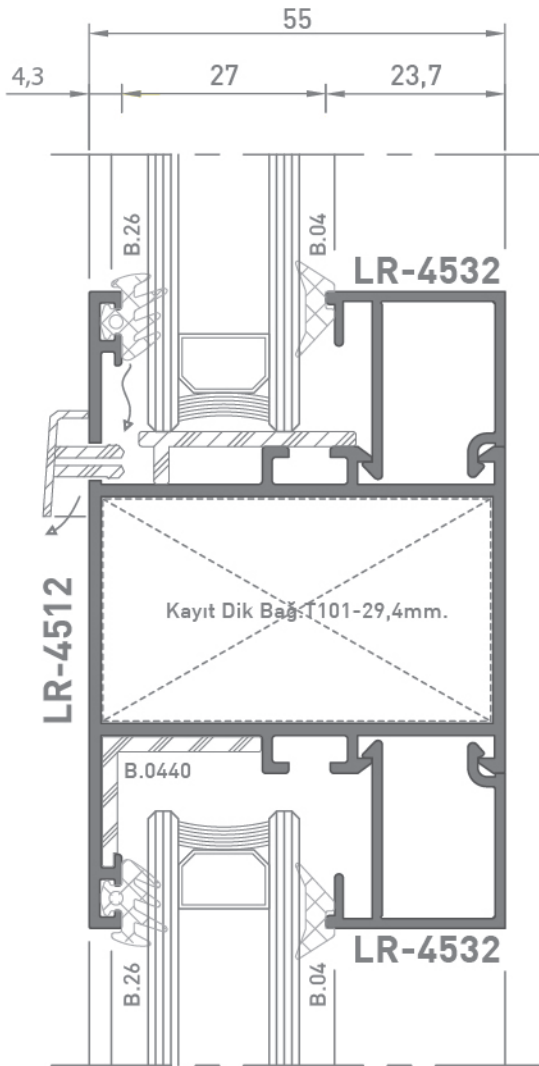
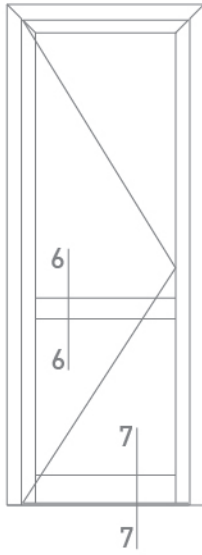
3 - 3 DETAY



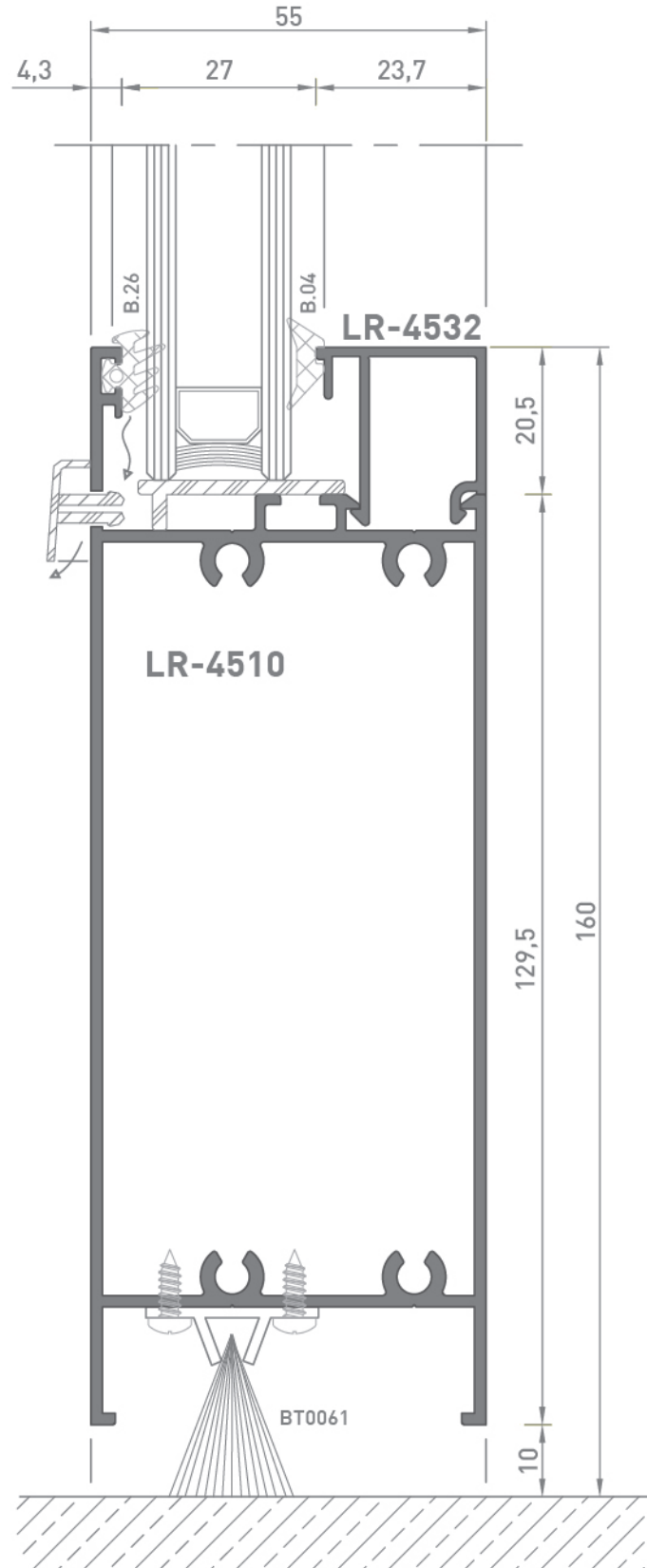
4 - 4 DETAY



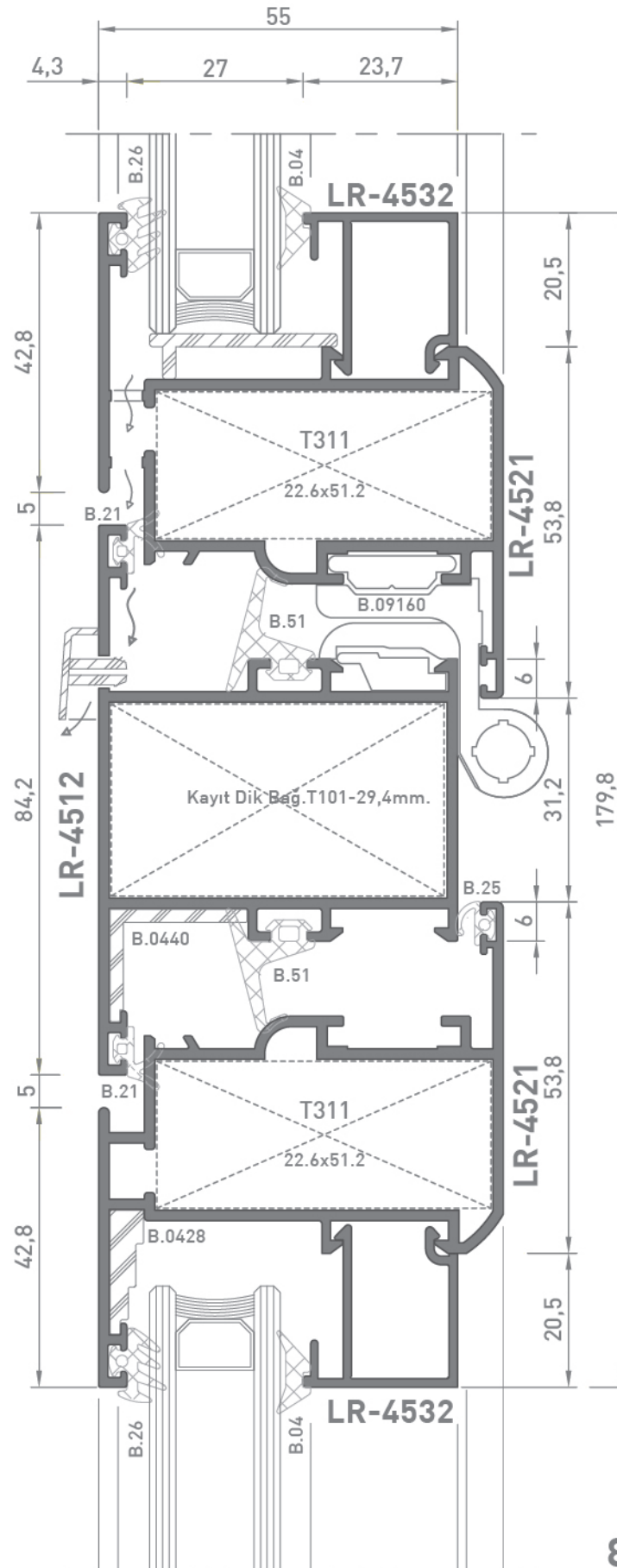
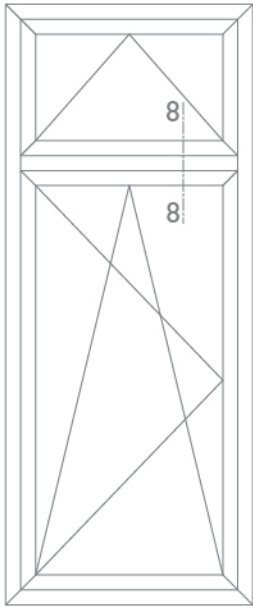
5 - 5 DETAY



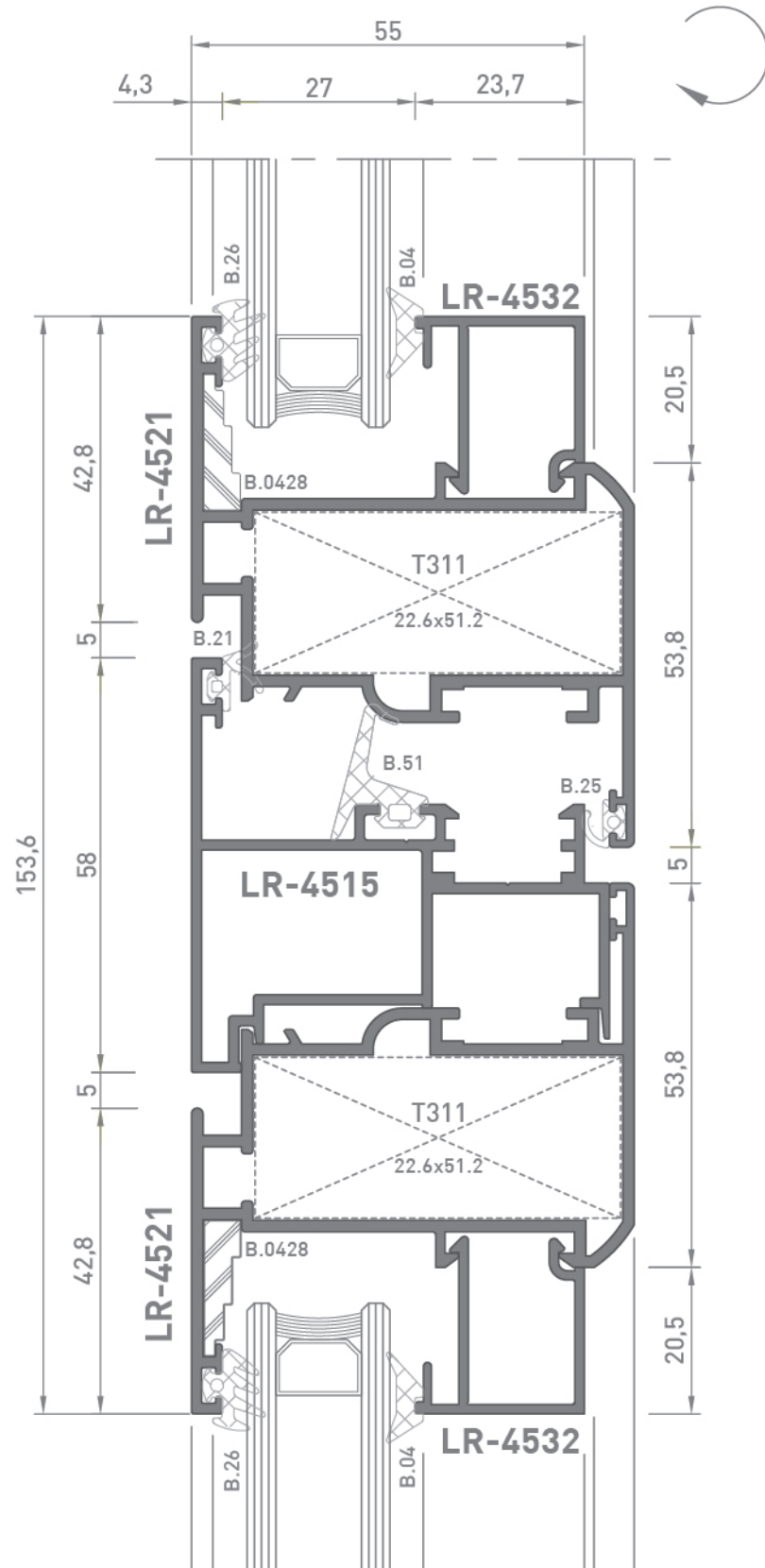
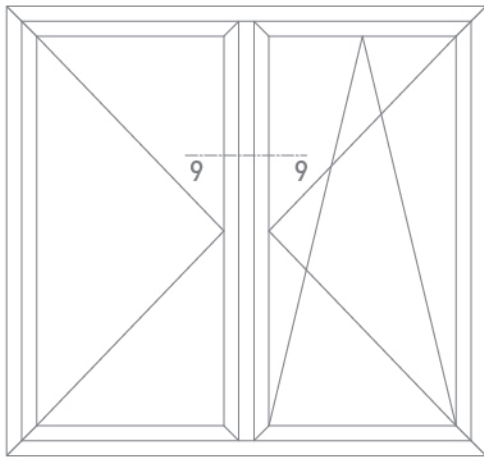
6 - 6 DETAY



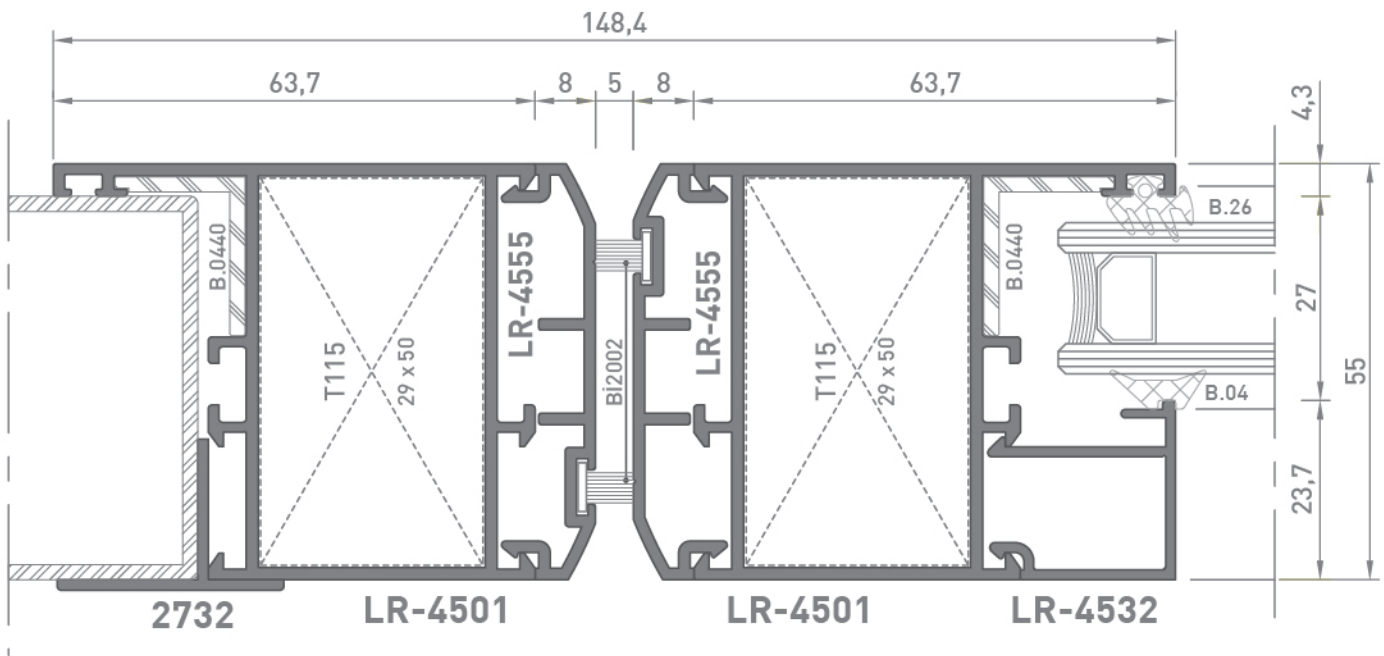
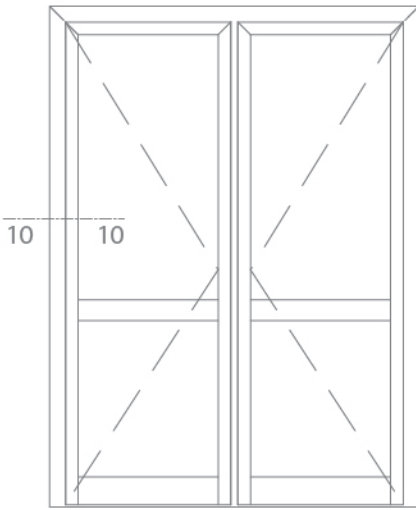
7 - 7 DETAY



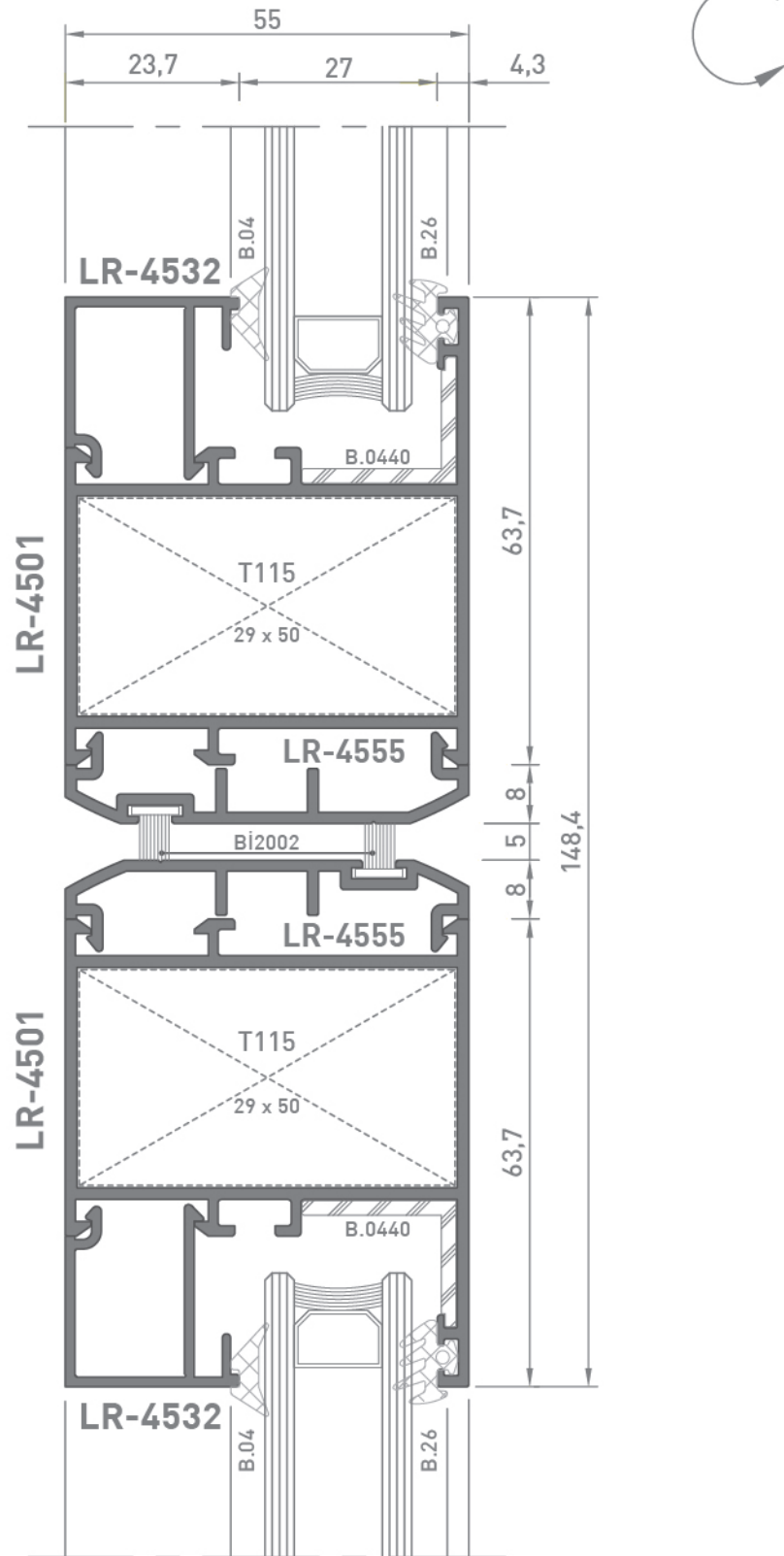
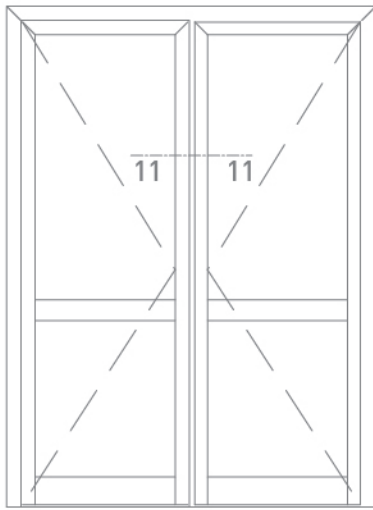
8 - 8 DETAY



9 - 9 DETAY



10 - 10 DETAY



11 - 11 DETAY

LINEA ROSSA Teknik Katalog Technical Catalogue Linea Rossa Design SRL Milano LR4500
Opening System Kasa Profili Frame Profile **Pervazlı Kasa Profili** **Frame Profile** Sabit Kasa Profili Frame
Fixed Baza Profili Kick Plate Kayıt Profili Sash Profile **PVC Kanallı Kanat Profili** Sash Profile Çift
Kanat Adaptörü Adapter Profile For Double Vent **Panjur Lamel Profili** Roller Shutter Profile **Tij**
Profili Rod Profile **LINEA ROSSA** Eksenel Dönüş Axial Turn Eksenel
Dönüş Borusu Pipe of Axial Turn Köşe Profili Corner Profile **LINEA**

ROSSA Pervaz Armature Profile Lambri Panelling Profile Cam Çıtası Glazing Bead **Cam**
Genişliği **LINEA ROSSA** Teknik Katalog Technical Catalogue Linea Rossa Design SRL Milano
LR4500 Opening System Kasa Profili Frame Profile **Pervazlı Kasa Profili** **Frame Profile** Sabit Kasa Profili
Frame Fixed Baza Profili Kick Plate Kayıt Profili Sash Profile **PVC Kanallı Kanat Profili** Sash
Profile Çift Kanat Adaptörü Adapter Profile For Double Vent **Panjur Lamel Profili** Roller Shutter
Profile **Tij Profili Rod Profile** **LINEA ROSSA** Eksenel Dönüş Axial Turn
Eksenel Dönüş Borusu Pipe of Axial Turn Köşe Profili Corner Profile **LINEA**

LINEA ROSSA

ROSSA Pervaz Armature Profile Lambri Panelling Profile Cam Çıtası Glazing Bead **Cam**

Genişliği **LINEA RO**
LR4500 Opening System Kasa
Frame Fixed Baza Profili
Profile Çift Kanat Adaptörü Adapte

LR4500
OPENING SYSTEM

Profile **Tij Profili Rod Profile** **LINEA ROSSA** Eksenel Dönüş Axial Turn
Eksenel Dönüş Borusu Pipe of Axial Turn Köşe Profili Corner Profile **LINEA**

ROSSA Pervaz Armature Profile Lambri Panelling Profile Cam Çıtası Glazing Bead **Cam**

Genişliği **LINEA ROSSA** Teknik Katalog Technical Catalogue Linea Rossa Design SRL Milano

LR4500 Opening System Kasa Profili Frame Profile **Pervazlı Kasa Profili** **Frame Profile** Sabit Kasa Profili
Frame Fixed Baza Profili Kick Plate Kayıt Profili Sash Profile **PVC Kanallı Kanat Profili** Sash
Profile Çift Kanat Adaptörü Adapter Profile For Double Vent **Panjur Lamel Profili** Roller Shutter
Profile **Tij Profili Rod Profile** **LINEA ROSSA** Eksenel Dönüş Axial Turn

Eksenel Dönüş Borusu Pipe of Axial Turn Köşe Profili Corner Profile **LINEA**

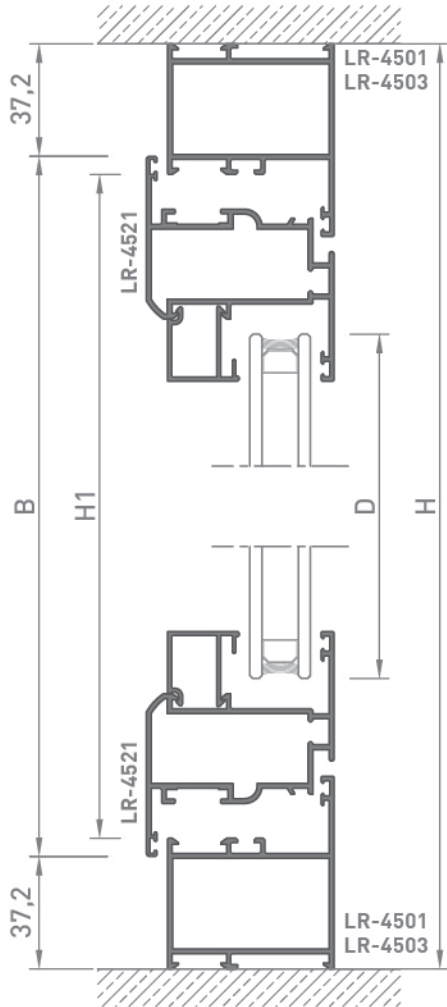
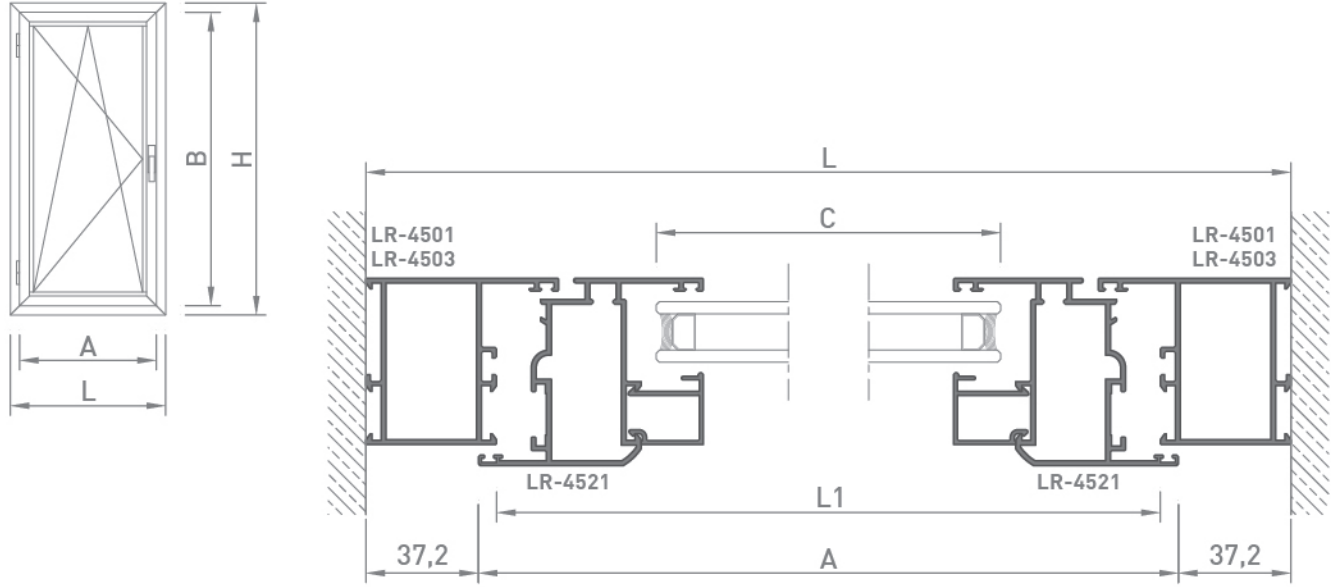
ROSSA Pervaz Armature Profile Lambri Panelling Profile Cam Çıtası Glazing Bead **Cam**

Genişliği **LINEA ROSSA** Teknik Katalog Technical Catalogue Linea Rossa Design SRL Milano

LR4500 Opening System Kasa Profili Frame Profile **Pervazlı Kasa Profili** **Frame Profile** Sabit Kasa Profili
Frame Fixed Baza Profili Kick Plate Kayıt Profili Sash Profile **PVC Kanallı Kanat Profili** Sash
Profile Çift Kanat Adaptörü Adapter Profile For Double Vent **Panjur Lamel Profili** Roller Shutter
Profile **Tij Profili Rod Profile** **LINEA ROSSA** Eksenel Dönüş Axial

Profile **Tij Profili Rod Profile** **LINEA ROSSA** Eksenel Dönüş Axial

Profile **Tij Profili Rod Profile** **LINEA ROSSA** Eksenel Dönüş Axial



Kanat Geniřlięi

$$A = L - 74.4 \text{ mm.} \quad A = L1 + 12 \text{ mm.}$$

Kanat Ykseklięi

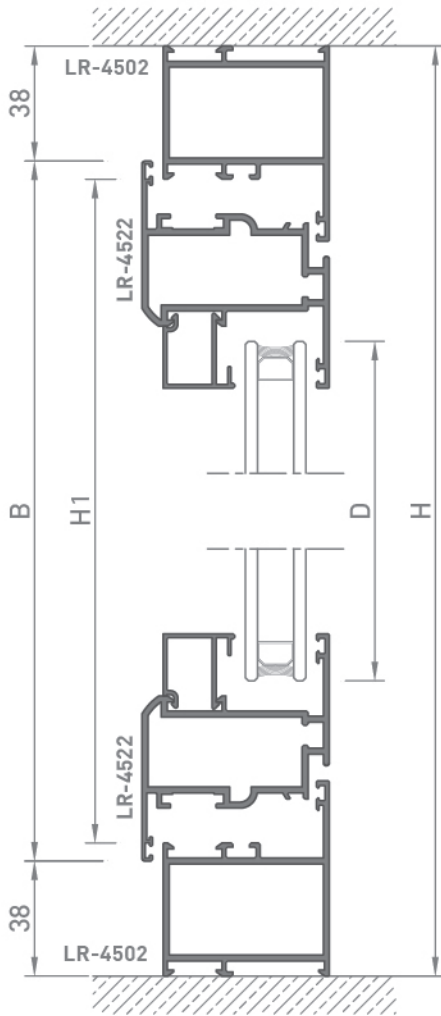
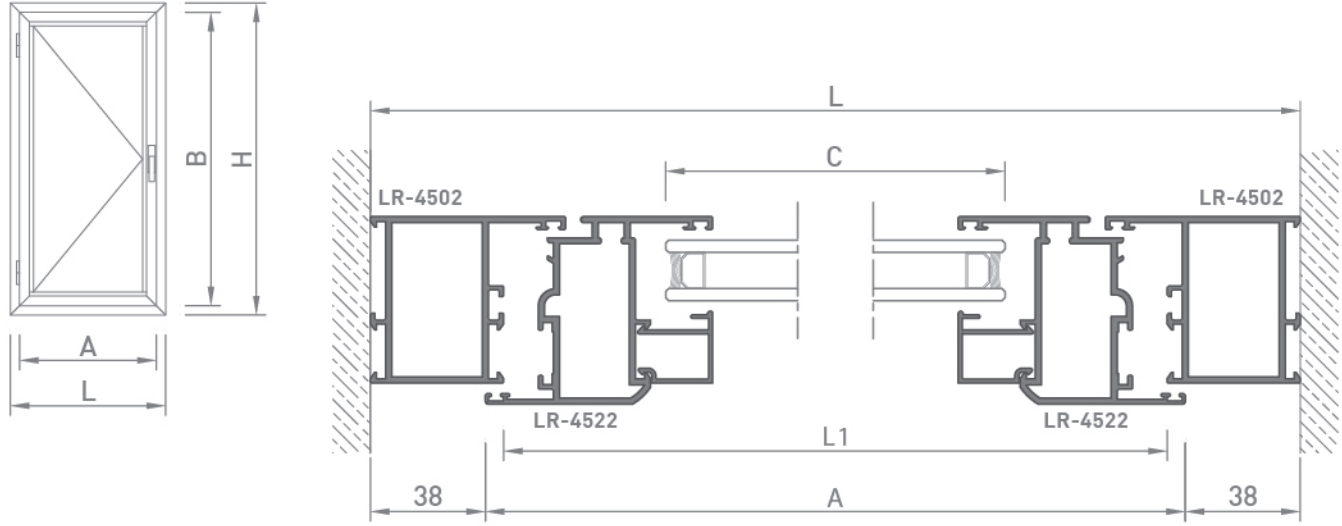
$$B = H - 74.4 \text{ mm.} \quad B = H1 + 12 \text{ mm.}$$

Cam Geniřlięi

$$C = L - 192 \text{ mm.}$$

Cam Ykseklięi

$$D = H - 192 \text{ mm.}$$



Kanat Geniřlięi

$$A = L - 76 \text{ mm.} \quad A = L1 + 12 \text{ mm.}$$

Kanat Ykseklięi

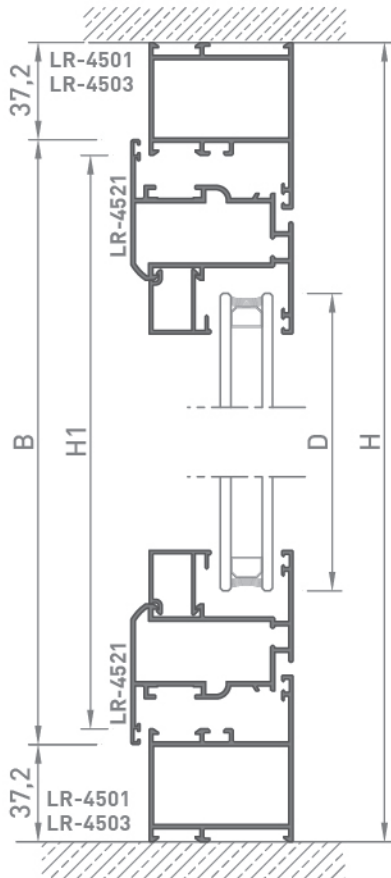
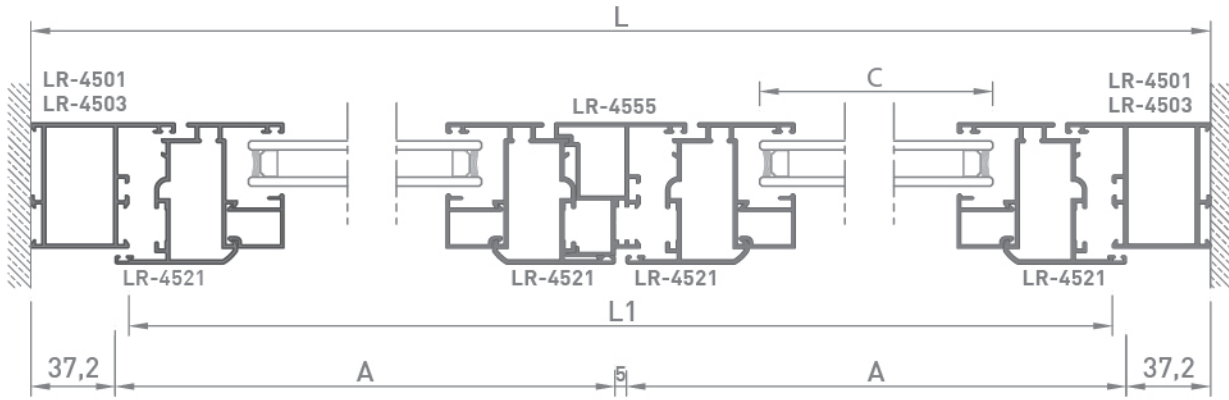
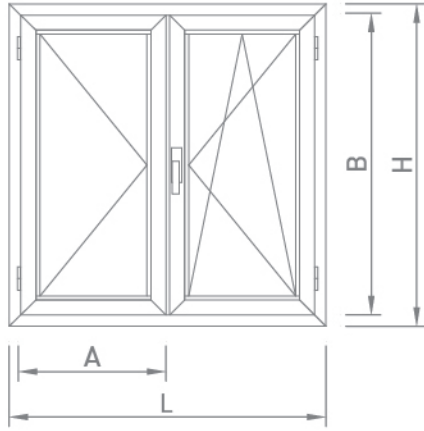
$$B = H - 76 \text{ mm.} \quad B = H1 + 12 \text{ mm.}$$

Cam Geniřlięi

$$C = L - 179.4 \text{ mm.}$$

Cam Ykseklięi

$$D = H - 179.4 \text{ mm.}$$



Kanat Geniřlięi

$$A = \frac{L - 79,4}{2} \text{ mm.} \quad A = \frac{L1 + 7}{2} \text{ mm.}$$

Kanat Ykseklięi

$$B = H - 74,4 \text{ mm.} \quad B = H1 + 12 \text{ mm.}$$

Cam Geniřlięi

$$C = \frac{L - 314,6}{2} \text{ mm.}$$

Cam Ykseklięi

$$D = H - 192 \text{ mm.}$$



LINEA ROSSA
MILANO

01/AĞUSTOS 2013



designed by

LINEA ROSSA

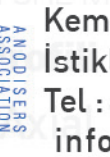
MILANO

LR4500

OPENING SYSTEM

TEKNİK KATALOG TECHNICAL CATALOGUE

www.linearossa.eu



BEY METAL ALÜMİNYUM
Kemalpaşa Organize Sanayi Bölgesi Ulusuluk Mevkii
İstiklal Mahallesi No:21 Ulucak Kemalpaşa-İZMİR
Tel : +90 232 877 21 14 (pbx) Fax: +90 232 877 03 39
info@beymetal.com.tr | www.beymetal.com.tr

