

designed by

LINEA ROSSA®
MILANO

LR3200

SLIDING SYSTEM

TEKNİK KATALOG
TECHNICAL CATALOGUE





LINEA ROSSA®

LR3200
SLIDING SYSTEM

TEKNİK ÖZELLİKLER TECHNICAL PROPERTIES

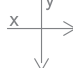
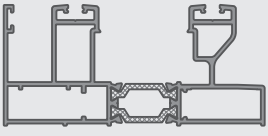
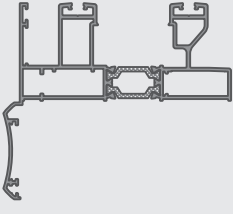
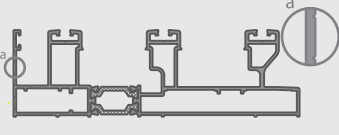
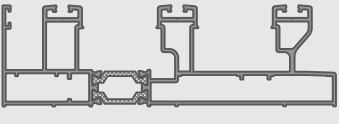
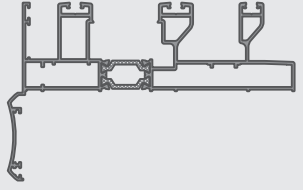
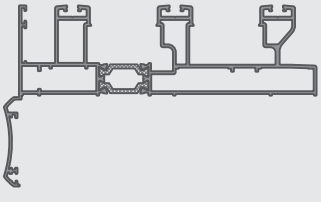
· Kasa Derinliği	: 95,1 mm. - 135 mm. - 145,1 mm.
· Kasa Yükseklik	: 44 mm.
· Kanat Genişlik	: 38 mm.
· Profil Kalınlık	: 1,4 - 1,6 mm.
· Max. Cam Kalınlığı	: 28 mm.
· Isı Bariyerleri	: 18 - 24 mm.
· Hammadde	: EN AW 6060-T66, EN AW 6063 T5 (EN 573-3)
· Özgül Ağırlık	: 2,71 gr/cm ³
· Kopma, Akma Mukavem.	: 215 N/mm ² - 160 N/mm ² (EN 755-2)
· Uzama	: %8 (EN 755-2)
· Sertlik	: 70 HRB
· Elektrostatik Boya	: 60 Mikron min. (Qualicoat)
· Eloksal	: 8-10-12-15-20 Mikron (Qualanod)
· Üretim Ölçü Toleransları	: EN 12020-2, EN 755-9

· Frame Width	: 95,1 mm. - 135 mm. - 145,1 mm.
· Frame Height	: 44 mm.
· Sash Width	: 38 mm.
· Profile Thickness	: 1,4 - 1,6 mm.
· Max. Glass Thickness	: 28 mm.
· Insulation Bars	: 18 - 24 mm.
· Material	: EN AW 6060-T66, EN AW 6063 T5 (EN 573-3)
· Specific Gravity	: 2,71 gr/cm ³
· Yield, Flow Strength	: 215 N/mm ² - 160 N/mm ² (EN 755-2)
· Elongation	: %8 (EN 755-2)
· Hardness	: 70 HRB
· Pow. Coating Standarts	: 60 Mikron min. (Qualicoat)
· Anodizing Oxidation Stan.	: 8-10-12-15-20 Mikron (Qualanod)
· Measurement Tol. Stand.	: EN 12020-2, EN 755-9

LINEA ROSSA®

LR3200
SLIDING SYSTEM

INDEX

 Profil Profile	Profil Kodu Profile Nr	Ağırlık (kg/m.) Weight (kg/m.)	X mm.	Y mm.	Jx cm ⁴	Jy cm ⁴	Sayfa Page
	LR-3201	1,871	95,1	44	56,52	14,15	07
	LR-3202	1,874	95,1	44	56,71	14,17	07
	LR-3203	1,775	107	44	68,36	8,39	08
	LR-3206	2,120	102,5	88,3	81,24	25,37	08
	LR-3207	2,646	145,1	44	186,93	19,98	09
	LR-3208	2,650	145,1.	44	187,33	19,99	09
	LR-3209	2,715	142,4	88,3	181,48	31,21	10
	LR-3210	2,900	152,5	88,3	234,44	32,54	10
	LR-3211	1,791	38	92,5	13,84	38,26	12



Profil
Profile

Profil Kodu
Profile Nr

Ağırlık (kg/m.)
Weight (kg/m.)

X mm.

Y mm.

Jx cm⁴


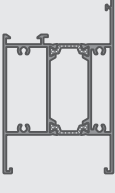
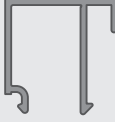
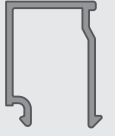


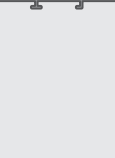

Jy cm⁴

Sayfa
Page

	LR-3212	2,055	38	150,6	14,96	57,71	14
	LR-3213	2,246	38	150,6	17,46	63,75	14
	LR-3214	2,393	89	92,5	80,55	32,34	13
	LR-3215	0,791	45,65	50	8,34	5,57	15
	LR-3216	1,369	96,4	50	46,25	9,32	15
	LR-3217	1,893	38	92,5	14,09	38,74	12
	LR-3218	2,495	89	92,5	80,78	32,92	13
	LR-3219	1,750	38	92,5	12,61	34,00	12
	LR-3220	0,125	8,3	19	0,01	0,25	15



Profil Profile	Profil Kodu Profile Nr	Ağırlık (kg/m.) Weight (kg/m.)	X mm.	Y mm.	Jx cm ⁴	Jy cm ⁴	Sayfa Page
	LR-3221	0,523	46,4	38,8	5,58	1,59	16
	LR-3223	2,462	135	44	141,41	18,54	11
	LR-3224	2,466	135	44	141,41	18,55	11
	LR-3225	0,700	45,7	34	6,30	2,67	14
	LR-3226	1,610	96,1	34	58,40	9,02	14
	LR-3233	0,850	42,6	30,3	5,22	1,68	15
	LR-3518	0,617	65,5	27,4	12,76	1,04	16
	LR-3519	0,485	65,5	27,4	9,68	0,51	16
	LR-3520	0,951	25,8	70	4,53	15,12	16
	LR-3521	0,607	65,4	38,8	11,97	2,14	16
	LR-3530	0,275	25,8	19,6	0,48	0,30	16

	Profil Profile	Profil Kodu Profile Nr	Ağırlık (kg/m.) Weight (kg/m.)	X mm.	Y mm.	Jx cm ⁴	Jy cm ⁴	Sayfa Page
		LR-3532	1,830	57	92,5	26,83	37,36	15
		LR-4133	0,290	25,2	24,85	0,85	0,57	17
		LR-4135	0,246	18,9	24,85	0,45	0,60	17
		LR-4151	0,330	30,58	43,6	0,54	2,81	17
		LR-4152	0,316	30,58	41,7	0,45	2,59	17
		LR-4153	0,700	75	75	5,87	24,51	17
		LR-4532	0,283	23,7	24,85	0,56	0,79	17

LINEAROSSA®

LR3200
SLIDING SYSTEM

PROFİLLER PROFILES

(PH) Plastik Hizalama
Plastic Corner Alignment

(KH) Krom Hizalama
Chrome Corner Alignment


(DB) Dik Bağlantı
Transom-Mullion Cleat

(AK) Adaptör Kapağı
Adapter Cap

(PT) Pres Takoz
Corner Cleat Profile

(VT) Vidalı Takoz
Corner Spring

 Kertme
Notching

 Takoz Punch
Manual Punch

 Köşe Pres
Press Tool


 Testere
Saw

 Hızlı Yapıştırıcı
Adhesive

 Slikon
Sealant

 Tokmak
Mallet

 Falçata
Curved Knife

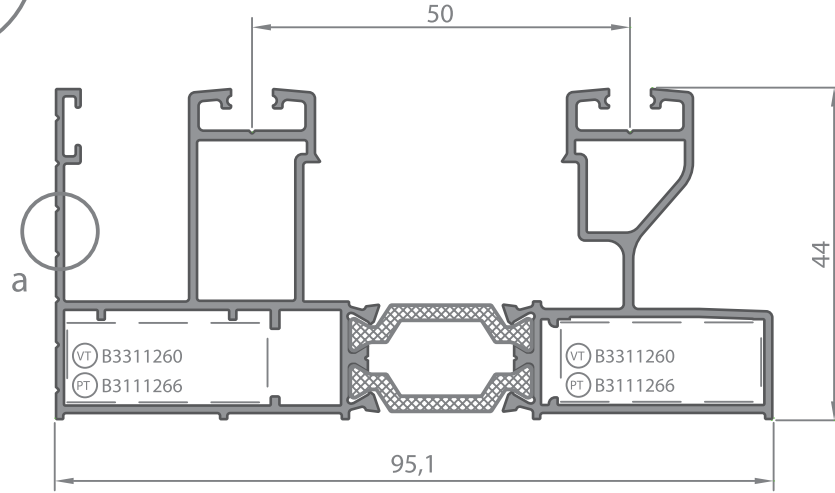
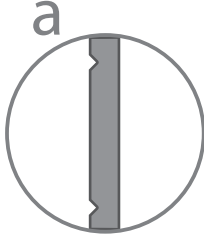
 Ambalaj Miktarı
Packing Unit

 Delik Çapı
Drilling Jig

 Yalıtım Bantı
Insulation Tape

İzli Sürme Kasa Profili - Sliding Frame Profile

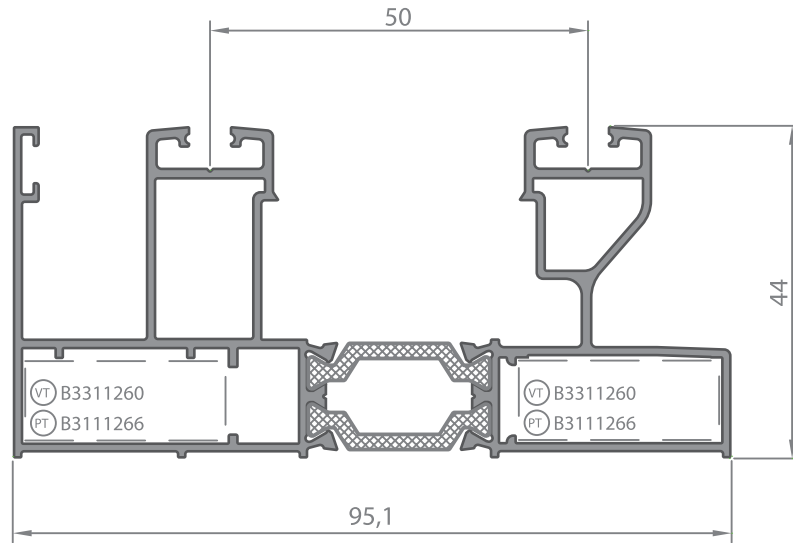
LR-3201



1,871 Kg/m
Jx:56,52 cm⁴
Jy:14,15 cm⁴

Sürme Kasa Profili - Sliding Frame Profile

LR-3202

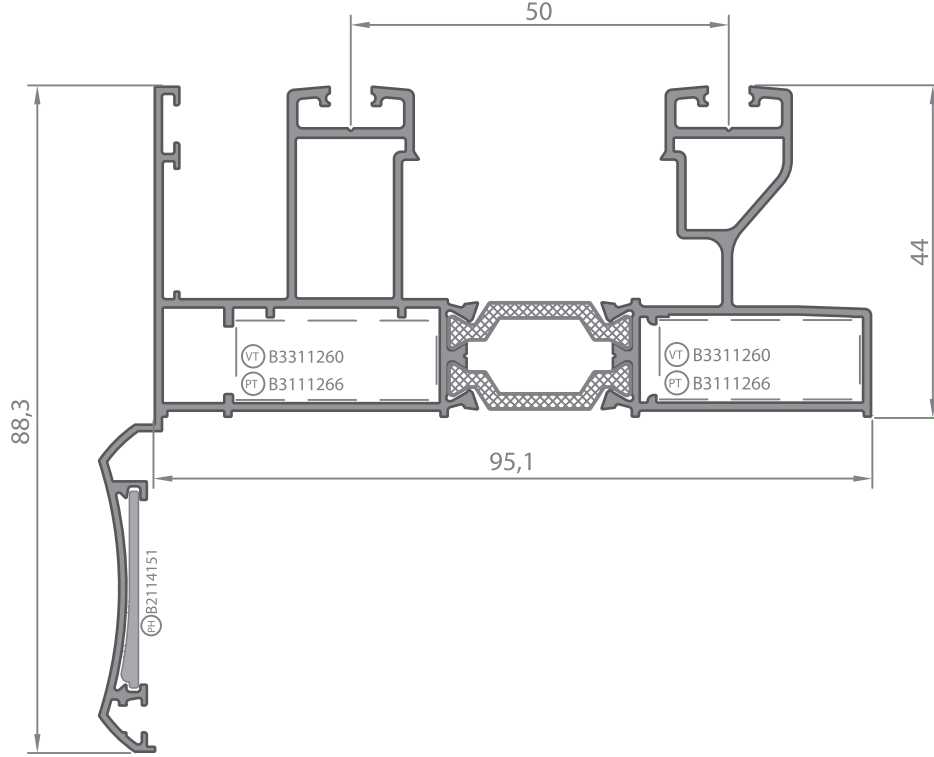


1,874 Kg/m
Jx:56,71 cm⁴
Jy:14,17 cm⁴

Sürme Kasa Profili - Sliding Frame Profile

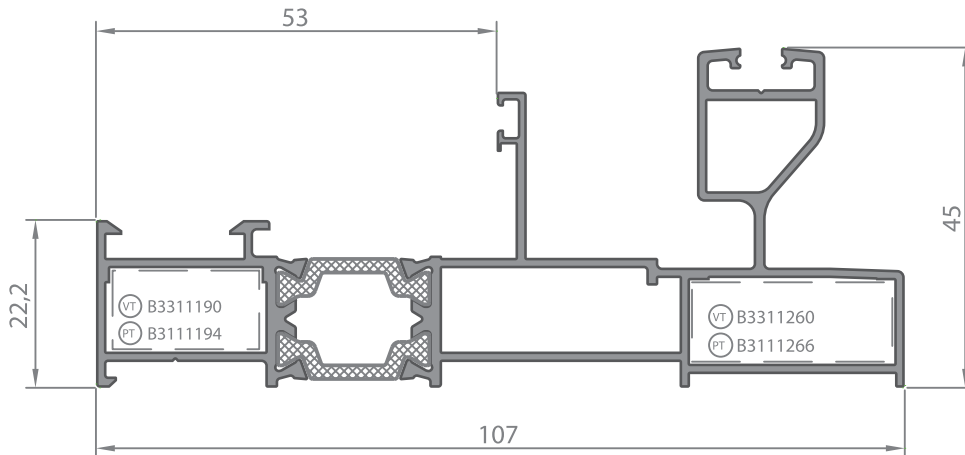
LR-3206

2,120 Kg/m
Jx:81,24 cm⁴
Jy:25,37 cm⁴

**Tekli Ray Kasa Profili - Single Rail Frame Profile**

LR-3203

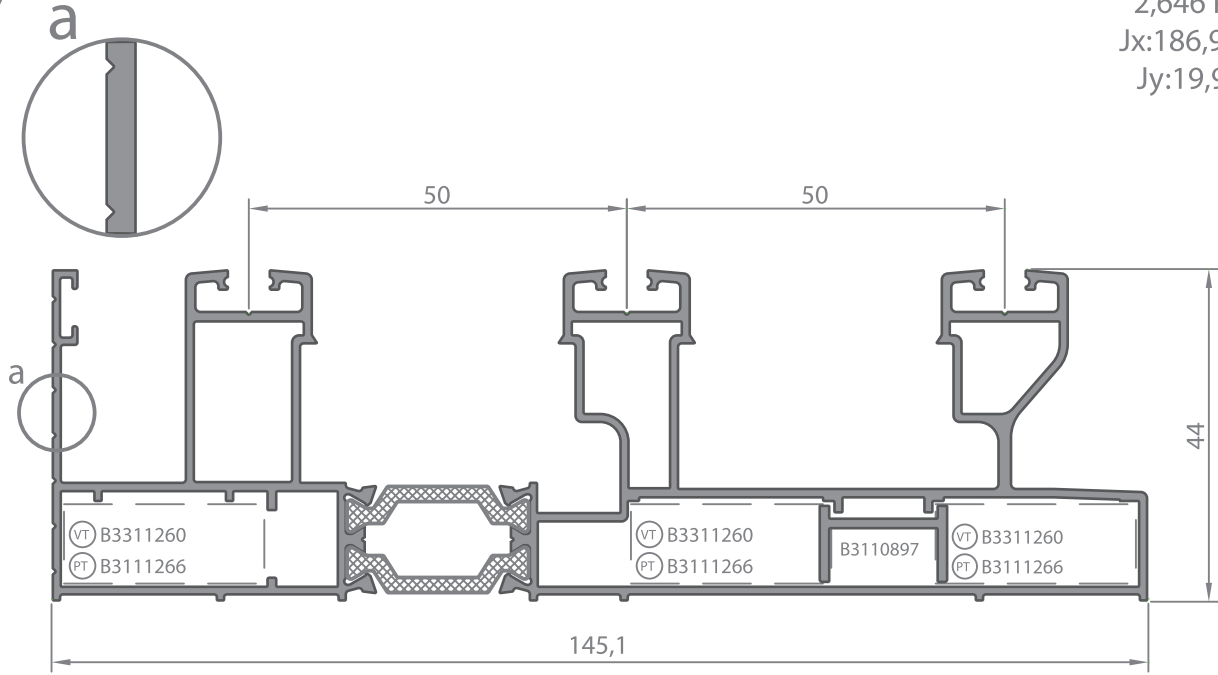
1,775 Kg/m
Jx:68,36 cm⁴
Jy:8,39 cm⁴



İzli Üçlü Sürme Kasa Profili - Sliding Frame Profile

LR-3207

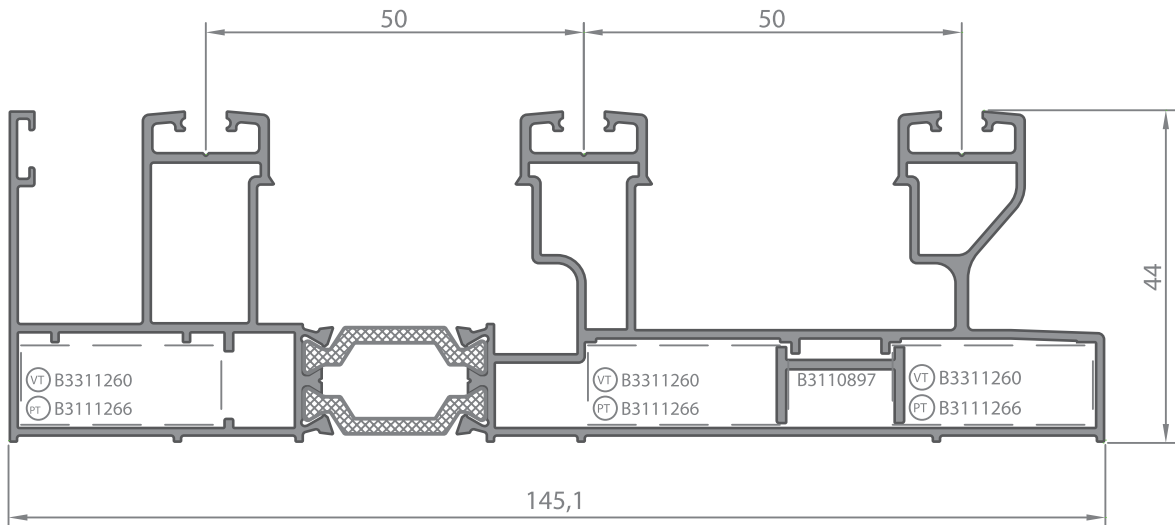
2,646 Kg/m
Jx:186,93 cm⁴
Jy:19,98 cm⁴



Üçlü Sürme Kasa Profili - Sliding Frame Profile

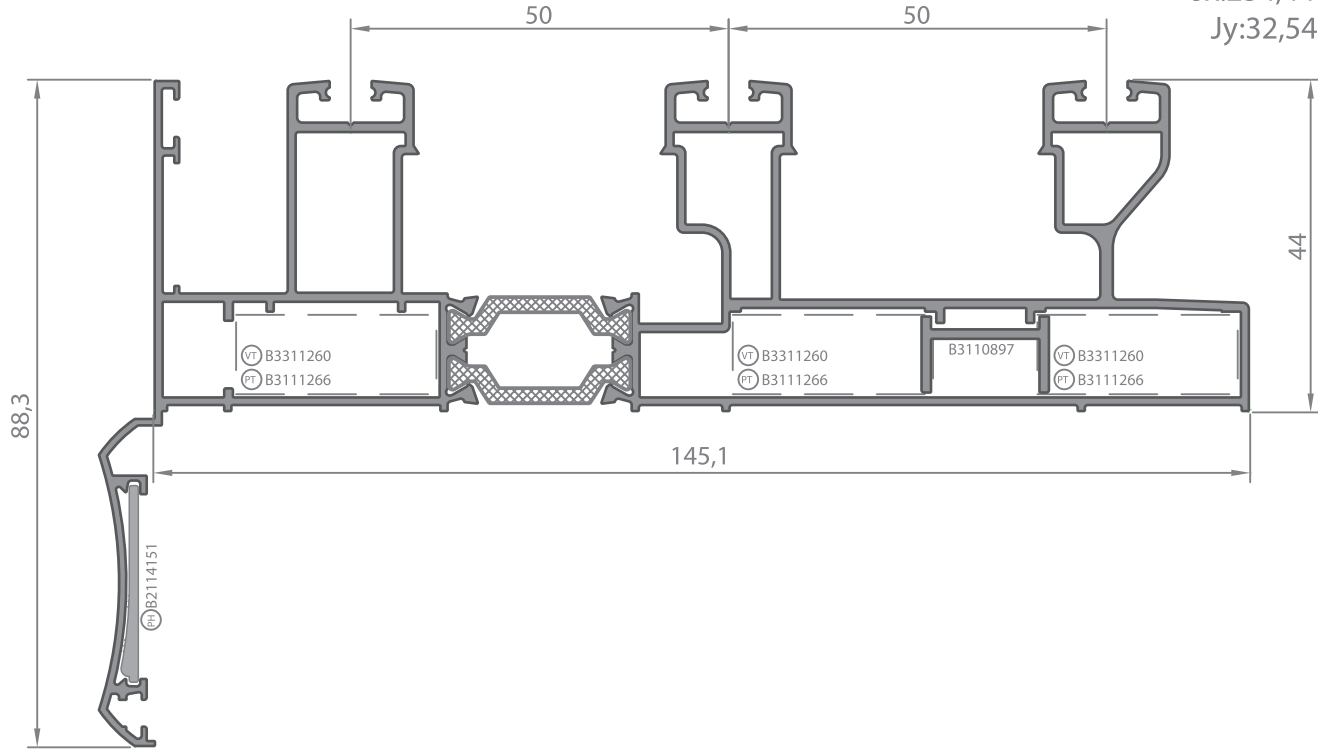
LR-3208

2,650 Kg/m
Jx:187,33 cm⁴
Jy:19,99 cm⁴



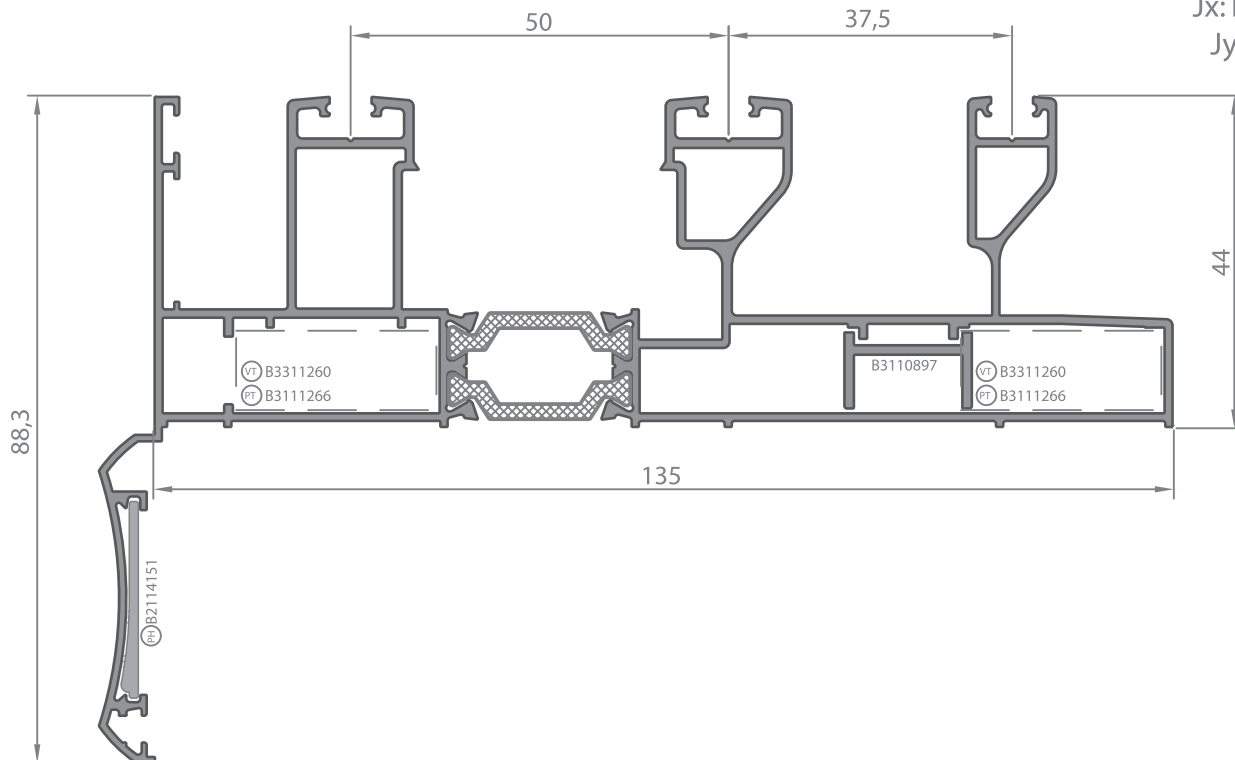
Üçlü Sürme Kasa Profili - Sliding Frame Profile

LR-3210

2,900 Kg/m
Jx:234,44 cm⁴
Jy:32,54 cm⁴

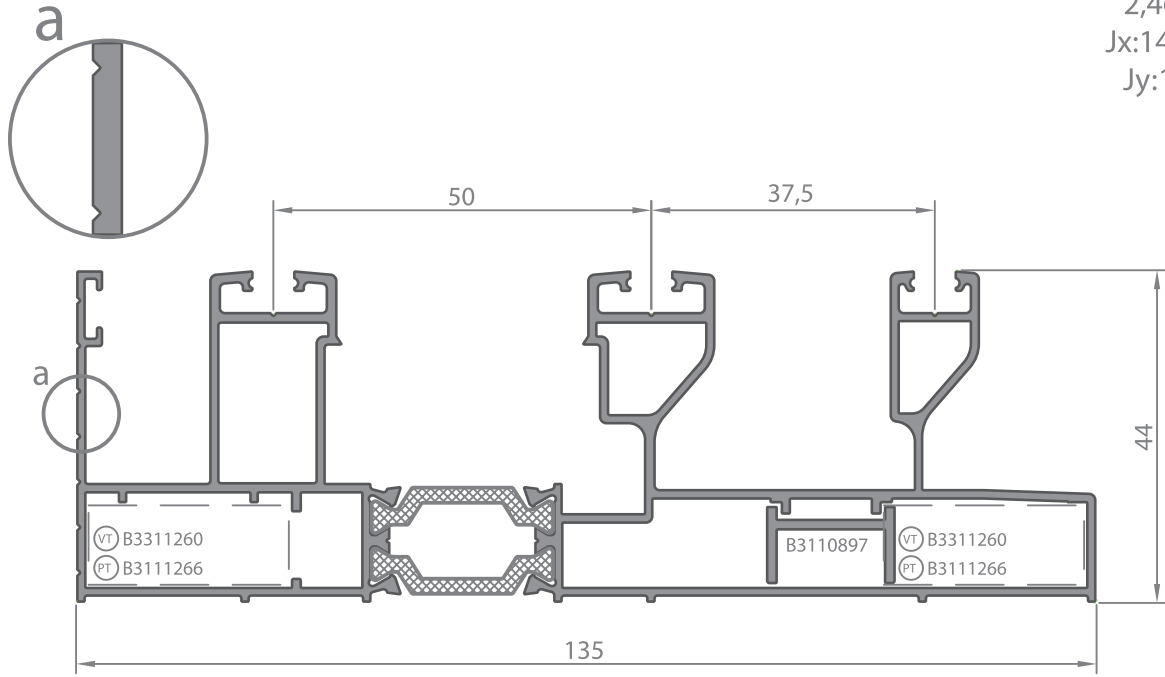
Sineklikli Sürme Kasa Profili - Sliding Fly Screen Frame Profile

LR-3209

2,715 Kg/m
Jx:181,48 cm⁴
Jy:31,21 cm⁴

İzli Sineklikli Sürme Kasa Profili - Sliding Fly Screen Frame Profile

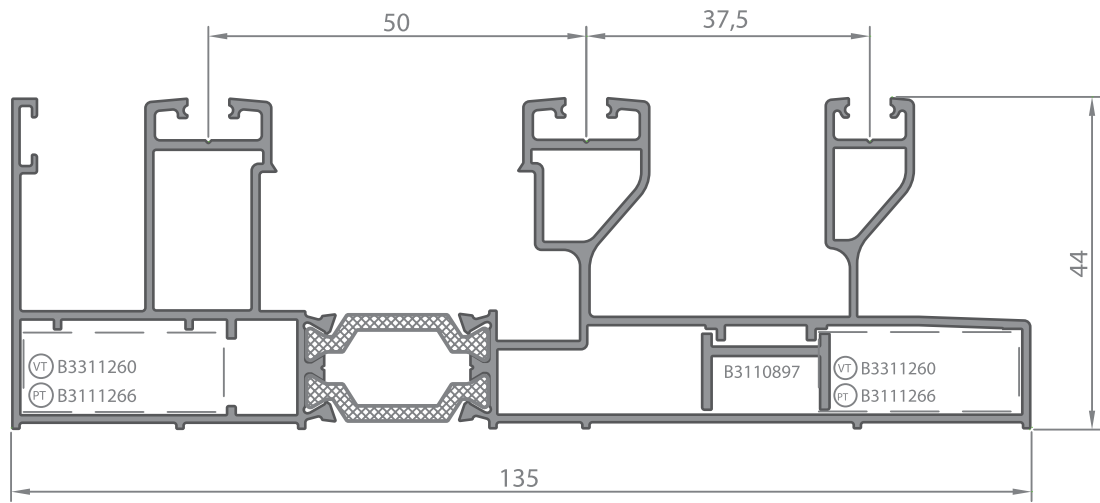
LR-3223



2,462 Kg/m
Jx:141,41 cm⁴
Jy:18,54 cm⁴

Sineklikli Sürme Kasa Profili - Sliding Fly Screen Frame Profile

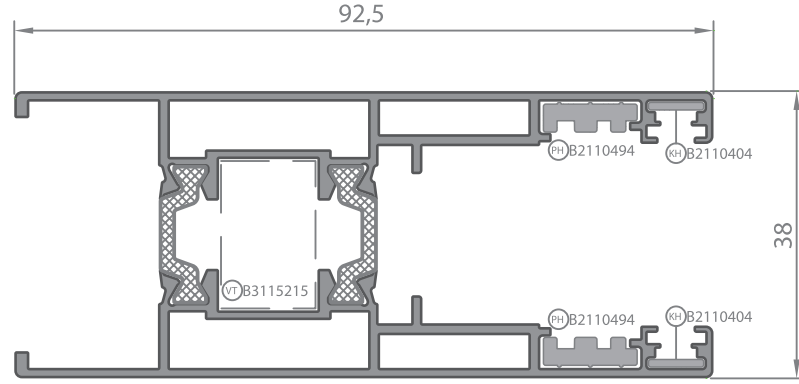
LR-3224



2,466 Kg/m
Jx:141,41 cm⁴
Jy:18,55 cm⁴

45° Kanat Profili - 45° Vent Profile

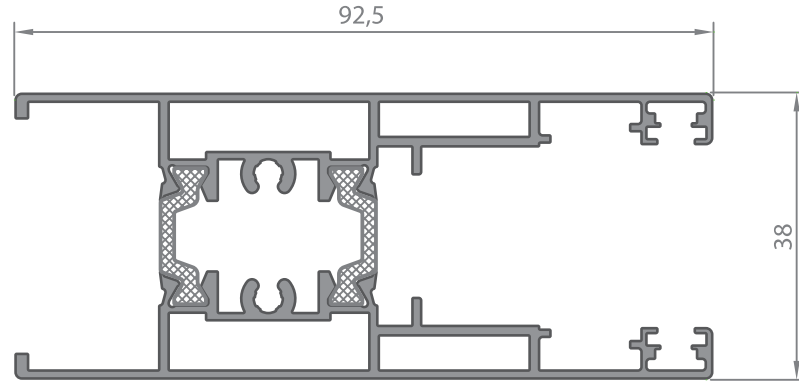
LR-3211



2,462 Kg/m
 Jx:13,84 cm⁴
 Jy:38,26 cm⁴

90° Kanat Profili - 90° Vent Profile

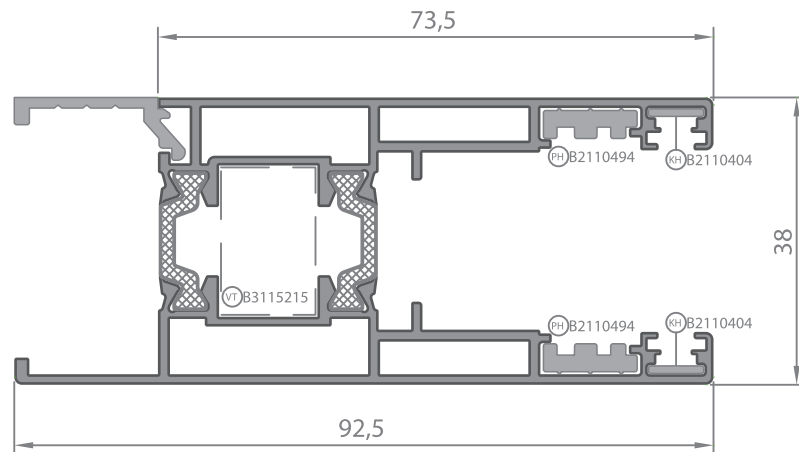
LR-3217



1,893 Kg/m
 Jx:14,09 cm⁴
 Jy:38,74 cm⁴

45° Çıtalı Kanat Profili - 90° Vent Profile

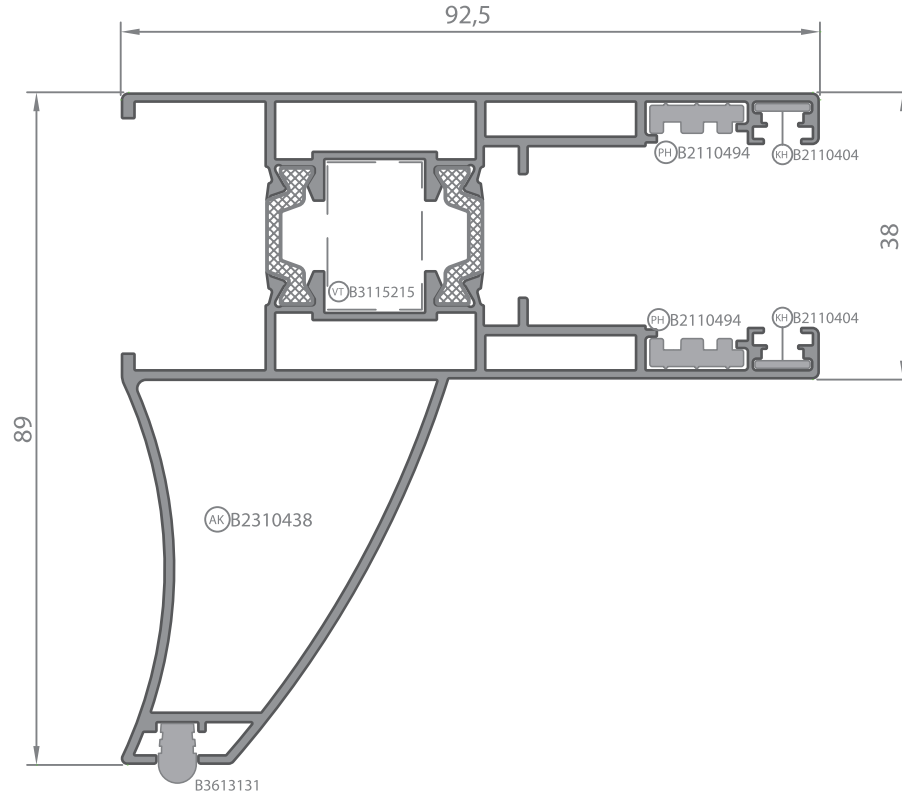
LR-3219



1,750 Kg/m
 Jx:12,61 cm⁴
 Jy:34,00 cm⁴

45° Kulplu Kanat Profili - 45° Vent Profile

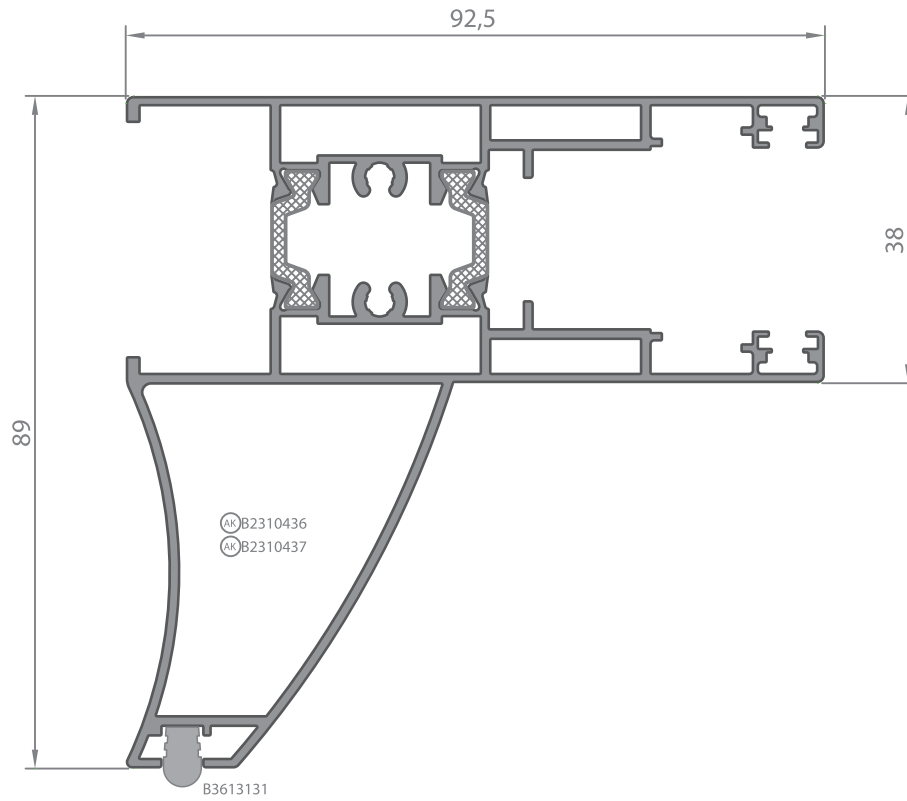
LR-3214



2,393 Kg/m
 $J_x: 80,55 \text{ cm}^4$
 $J_y: 32,34 \text{ cm}^4$

90° Kulplu Kanat Profili - 90° Vent Profile

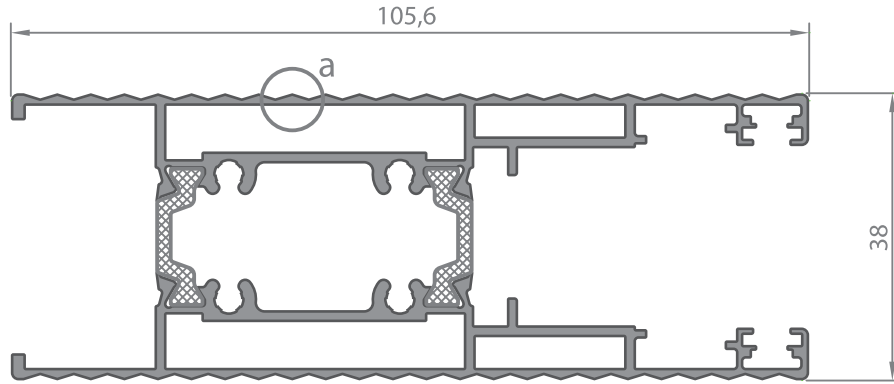
LR-3218



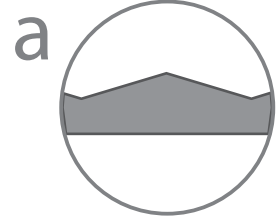
2,495 Kg/m
 $J_x: 80,78 \text{ cm}^4$
 $J_y: 32,92 \text{ cm}^4$

Baza Profili - Kick Plate

LR-3212

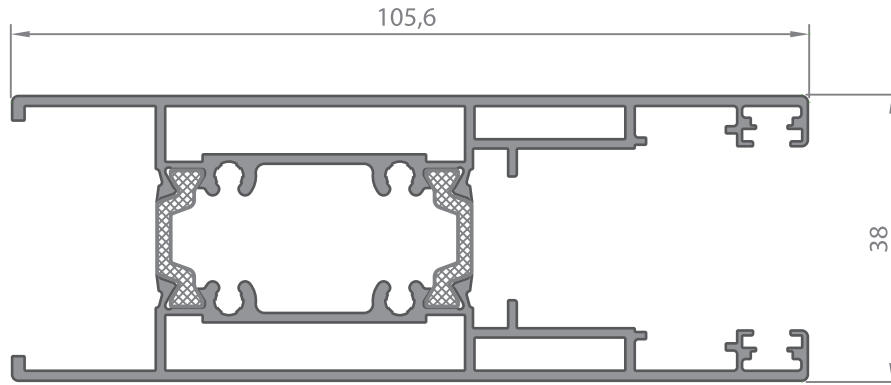


2,055 Kg/m
Jx:14,96 cm⁴
Jy:57,71 cm⁴



Baza Profili - Kick Plate

LR-3213

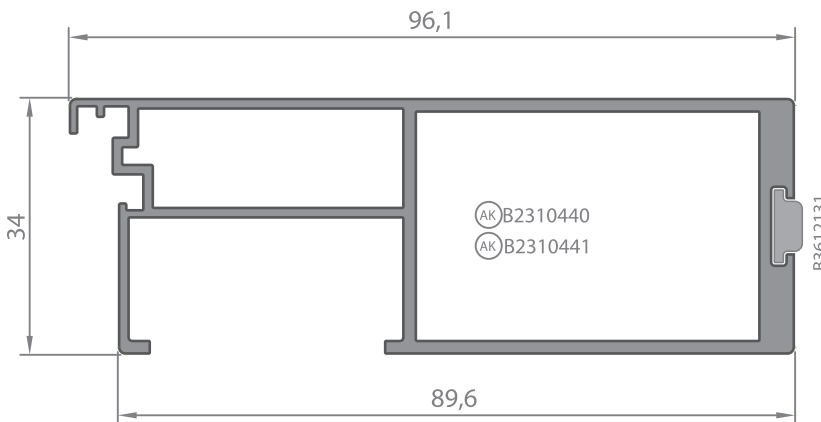


2,246 Kg/m
Jx:17,46 cm⁴
Jy:63,75 cm⁴

Kenetli Kanat Profili - Vent Profile

LR-3226

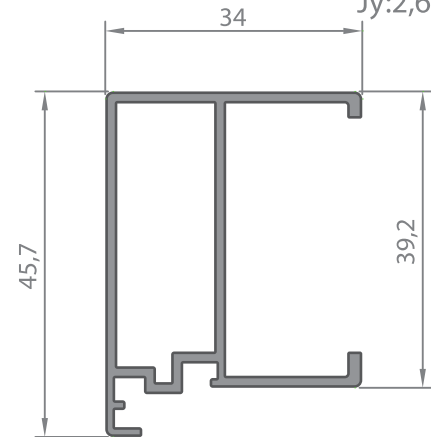
1,610 Kg/m
Jx:58,40 cm⁴
Jy:9,02 cm⁴



Kenetli Kanat Profili - Vent Profile

LR-3225

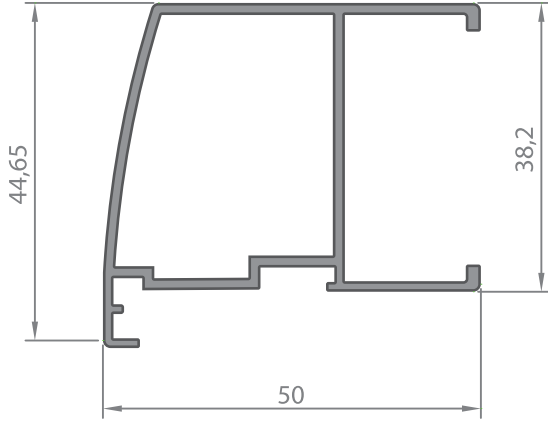
0,700 Kg/m
Jx:6,30 cm⁴
Jy:2,67 cm⁴



Kenetli Kanat Profili - Vent Profile

LR-3215

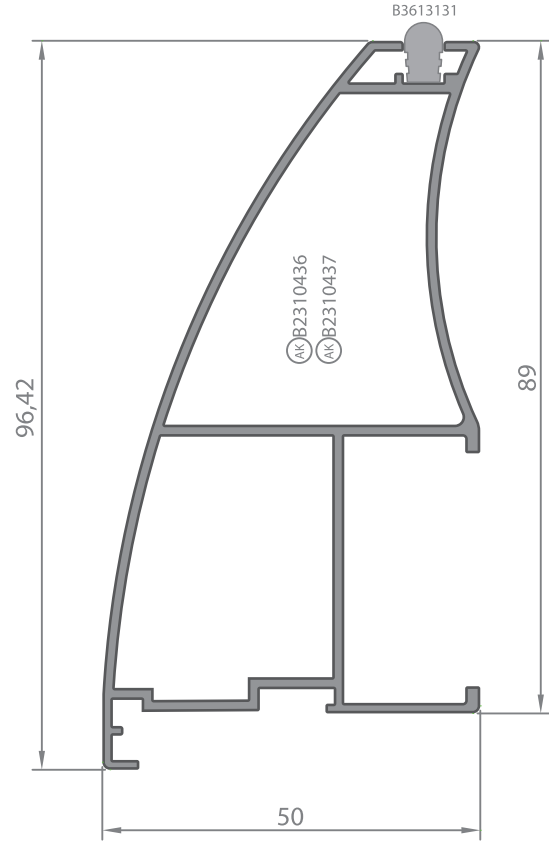
0,791 Kg/m
Jx:8,34 cm⁴
Jy:5,57 cm⁴



Kenetli Kanat Profili - Vent Profile

LR-3216

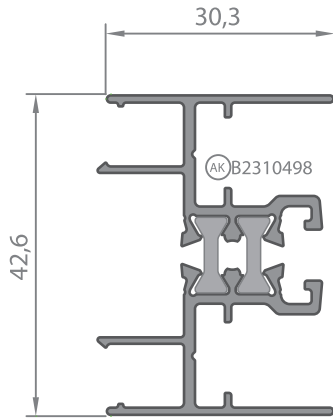
1,369 Kg/m
Jx:46,25 cm⁴
Jy:9,32 cm⁴



Orta Kilitleme Profili - Center Locking Profili

LR-3233

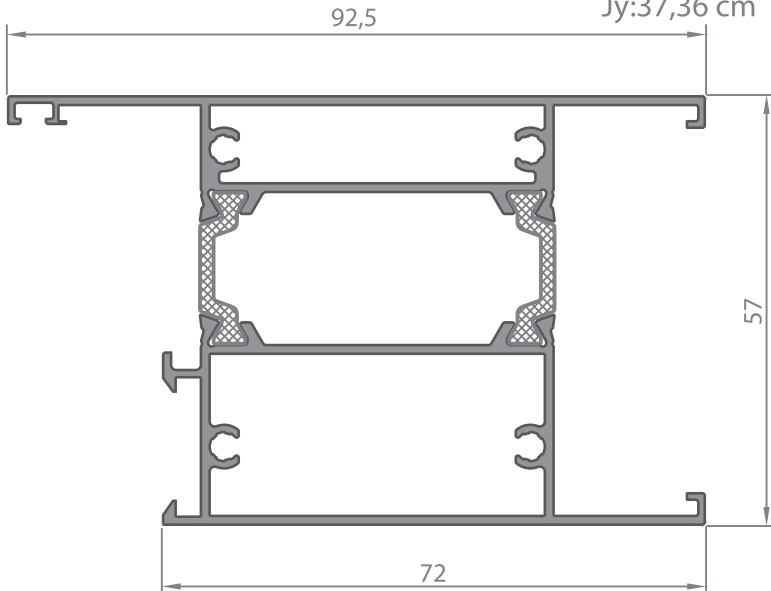
0,850 Kg/m
Jx:5,22 cm⁴
Jy:1,68 cm⁴



Tekli Kasa Orta Kayıt Profili - Single Frame Transom Profile

LR-3532

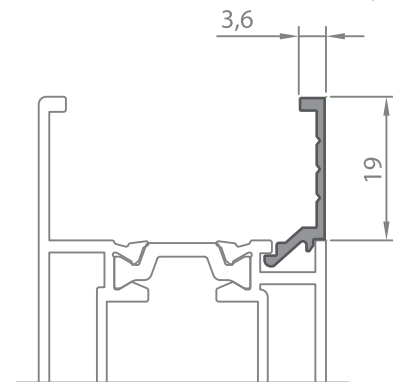
1,830 Kg/m
Jx:26,83 cm⁴
Jy:37,36 cm⁴



Cam Çıtası - Glazing Bead

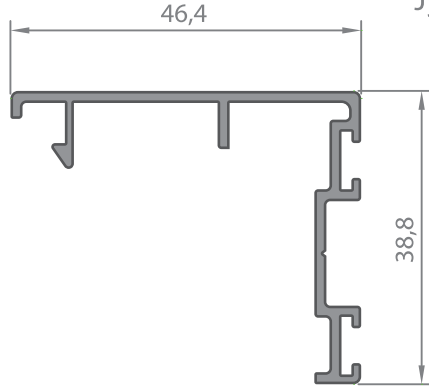
LR-3220

0,125 Kg/m
Jx:0,01 cm⁴
Jy:0,25 cm⁴



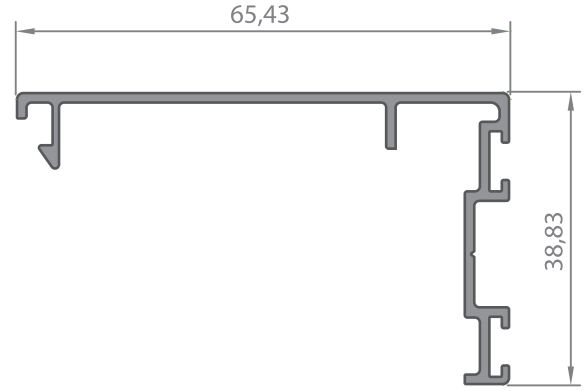
Kenet Profili - Hook

LR-3221

0,523 Kg/m
Jx:5,58 cm⁴
Jy:1,59 cm⁴

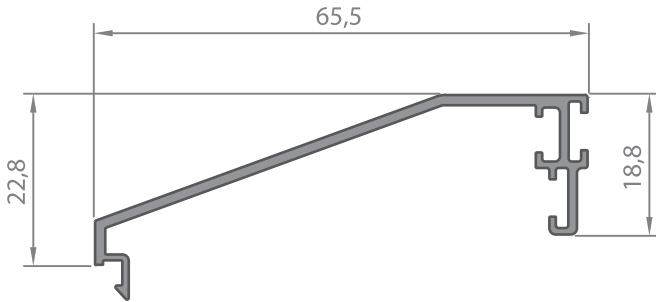
Kenet Profili Hook

LR-3521

0,607 Kg/m
Jx:11,97 cm⁴
Jy:2,14 cm⁴

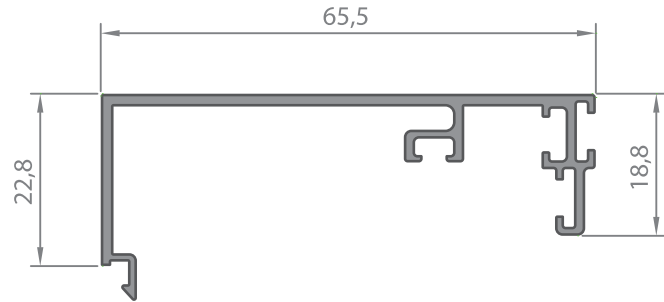
Tekli Kasa Adaptör Profili - Adapter Profile

LR-3518

0,617 Kg/m
Jx:12,76 cm⁴
Jy:1,04 cm⁴

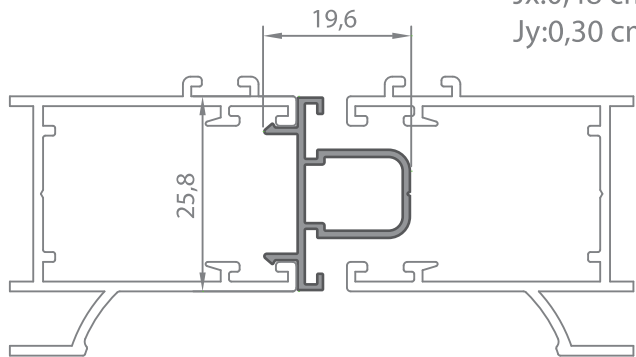
Tekli Kasa Adaptör Profili - Adapter Profile

LR-3219

0,485 Kg/m
Jx:9,68 cm⁴
Jy:0,51 cm⁴

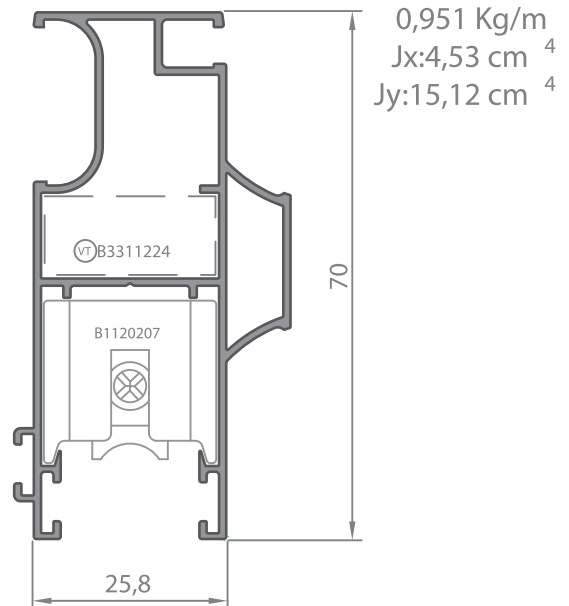
Sineklik Orta Profili - Center Locking Profili

LR-3530

0,275 Kg/m
Jx:0,48 cm⁴
Jy:0,30 cm⁴

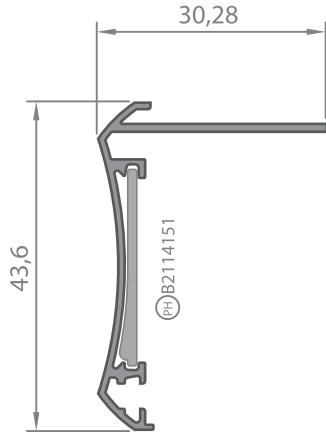
Sineklik Profili - Fly Screen

LR-3520

0,951 Kg/m
Jx:4,53 cm⁴
Jy:15,12 cm⁴

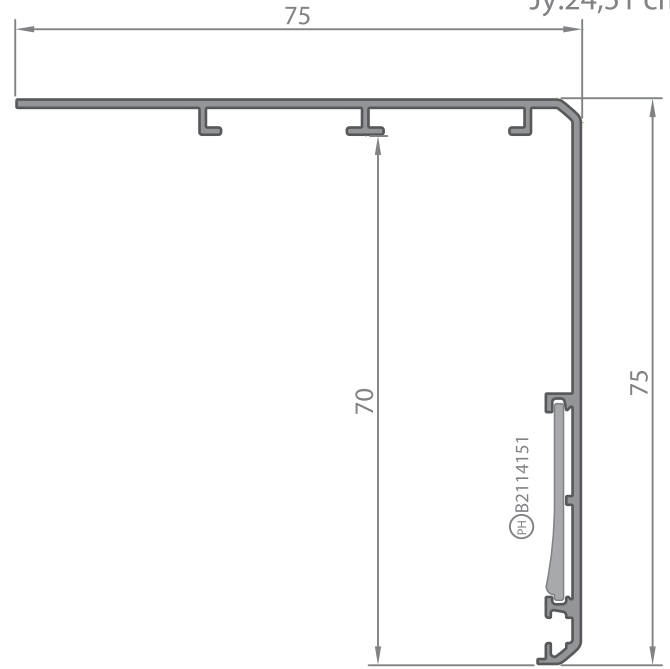
Pervaz - Armature Profile

LR-4151

0,330 Kg/m
Jx:0,54 cm⁴
Jy:2,81 cm⁴

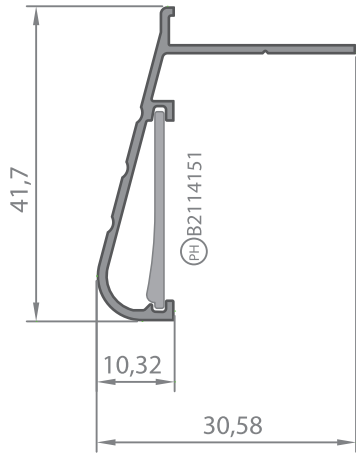
Pervaz - Armature Profile

LR-4153

0,700 Kg/m
Jx:5,87 cm⁴
Jy:24,51 cm⁴

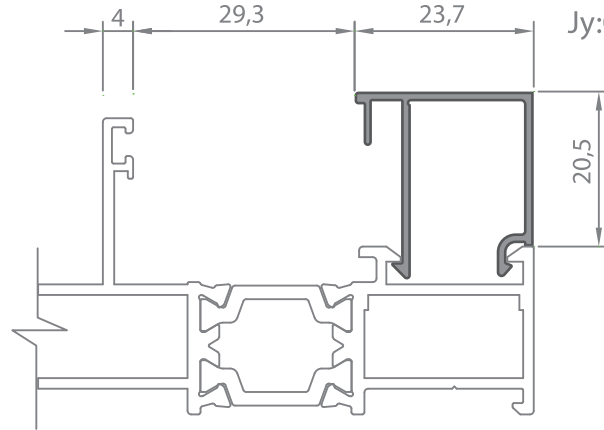
Pervaz - Armature Profile

LR-4152

0,316 Kg/m
Jx:0,45 cm⁴
Jy:2,59 cm⁴

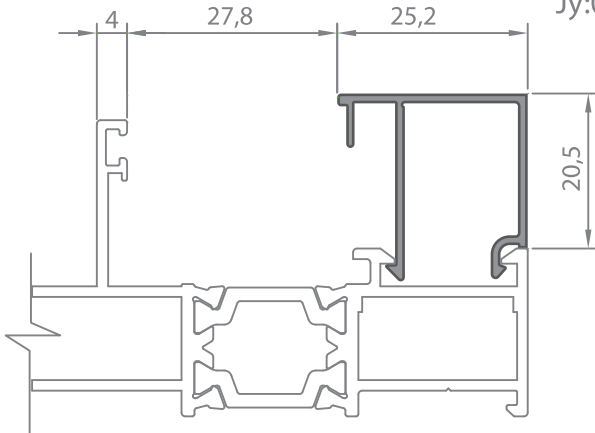
Cam Çıtası - Glazing Bead

LR-4532

0,283 Kg/m
Jx:0,56 cm⁴
Jy:0,79 cm⁴

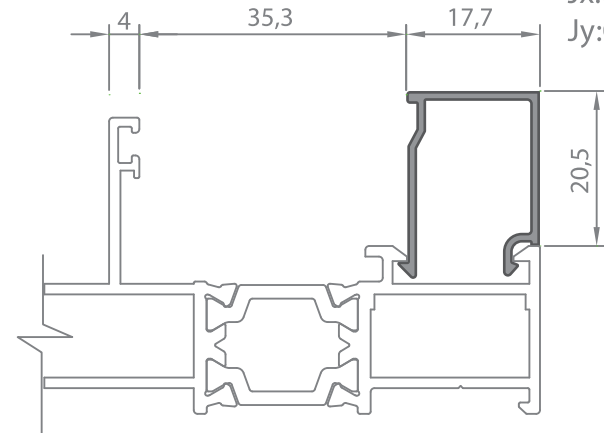
Cam Çıtası - Glazing Bead

LR-4133

0,290 Kg/m
Jx:0,85 cm⁴
Jy:0,57 cm⁴

Cam Çıtası - Glazing Bead

LR-4135

0,246 Kg/m
Jx:0,45 cm⁴
Jy:0,60 cm⁴

LINEA ROSSA®

LR3200
SLIDING SYSTEM

KESİT DETAYLAR DETAILS

PH Plastik Hizalama
Plastic Corner Alignment

KH Krom Hizalama
Chrome Corner Alignment

DB Dik Bağlantı
Transom-Mullion Cleat

AK Adaptör Kapağı
Adapter Cap

PT Pres Takoz
Corner Cleat Profile

VT Vidalı Takoz
Corner Spring

Kertme
Notching

Takoz Punch
Manual Punch

Köşe Pres
Press Tool

Testere
Saw

Hızlı Yapıştırıcı
Adhesive

Slikon
Sealant

Tokmak
Mallet

Falçata
Curved Knife

Ambalaj Miktarı
Packing Unit

Delik Çapı
Drilling Jig

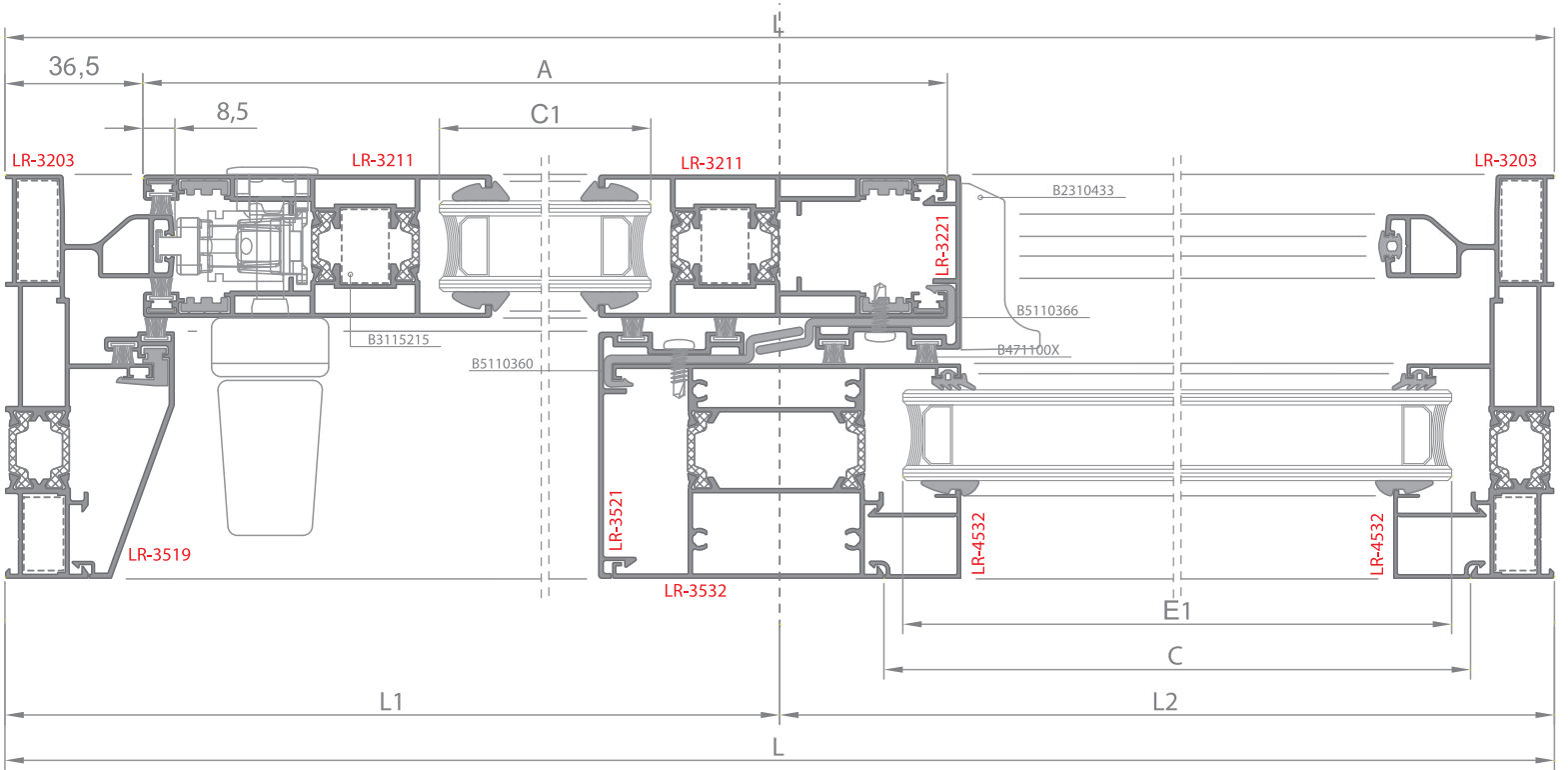
Yalıtım Bantı
Insulation Tape

ÖLÇEK:1:2
SCALE:1:2





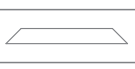

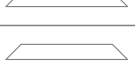

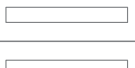



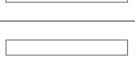







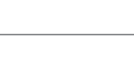




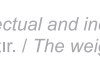



Sürme Açılım Tipleri

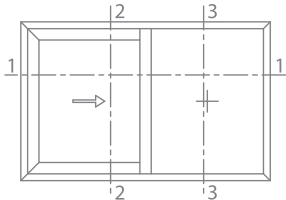
Types of sliding Opening

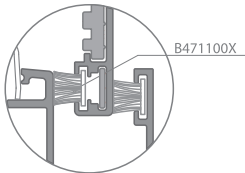
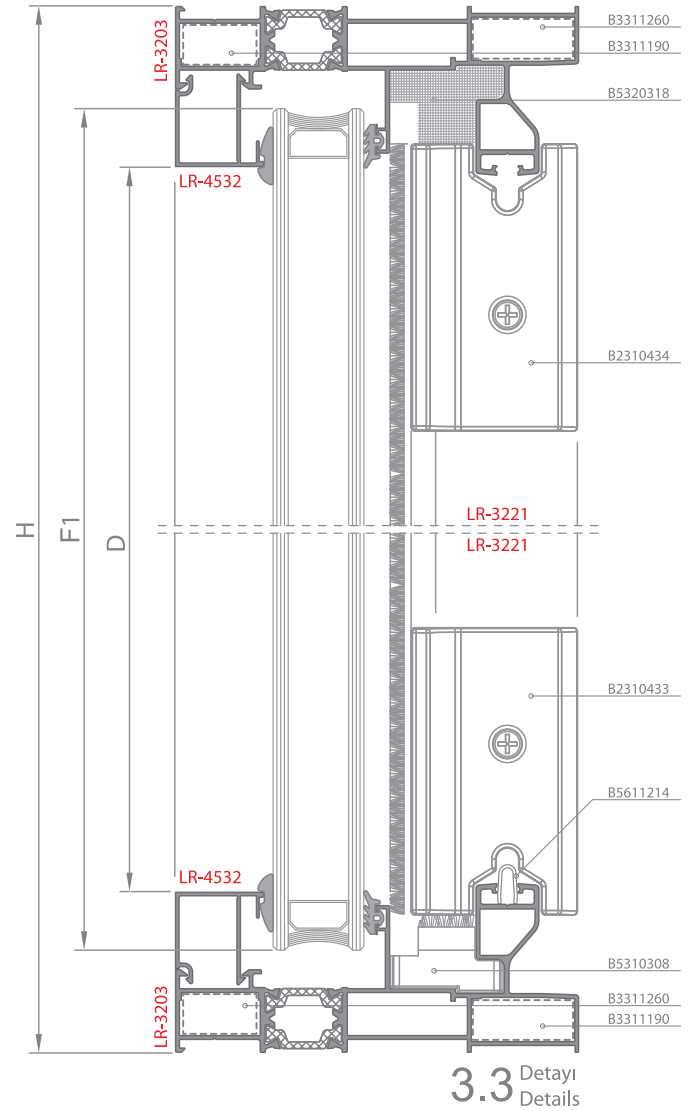
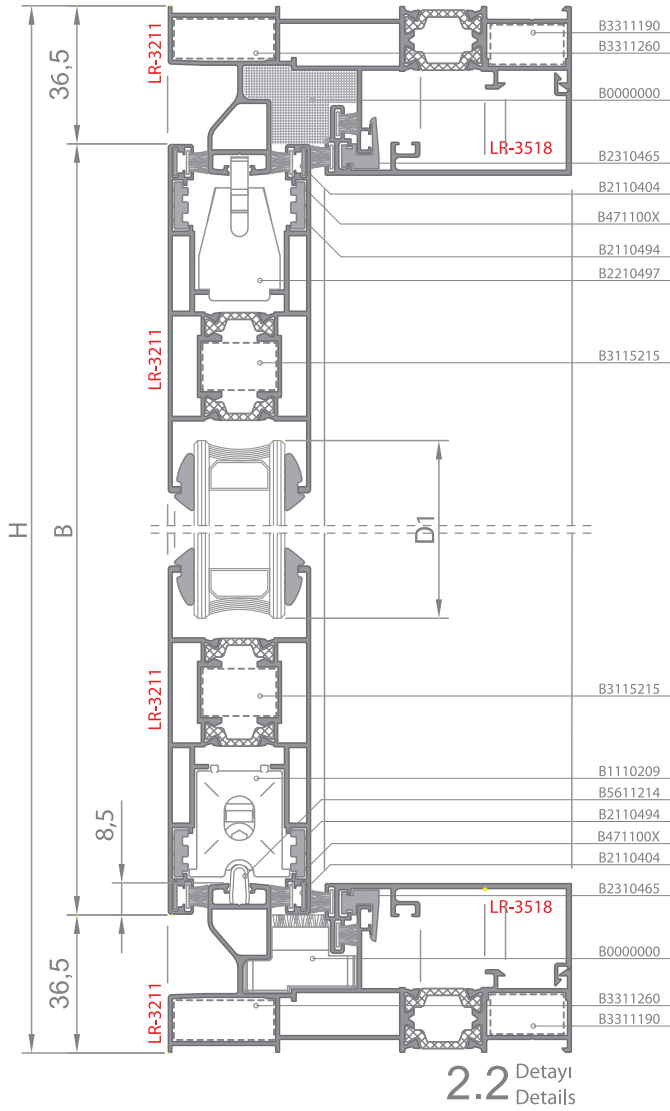




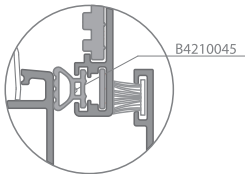
1.1 Detay / Details

				mm.
Kasa Genişlik Frame Width	LR-3203			2 Ad. 2 Pcs. L
Kasa Yükseklik Frame Height	LR-3203			2 Ad. 2 Pcs. H
Kanat Genişlik Sash Width	LR-3211			2 Ad. 2 Pcs. $A=L+16/2$
Kanat Yükseklik Sash Height	LR-3211			2 Ad. 2 Pcs. $B=H-73$
Kenet Yükseklik Hook Profile Height	LR-3532			1 Ad. 1 Pcs. H-35
Kenet Yükseklik Hook Profile Height	LR-3221			1 Ad. 1 Pcs. H-73
Kenet Yükseklik Hook Profile Height	LR-3521			1 Ad. 1 Pcs. H-73
Adaptör Profili Genişlik Adapter Profile Width	LR-3518			2 Ad. 2 Pcs. $L/2-70,3$
Adaptör Profili Yükseklik Adapter Profile Height	LR-3519			1 Ad. 1 Pcs. H-90
Çıta Profili Genişlik Glazing Bad Profile Width	LR-4532			2 Ad. 2 Pcs. $C=L/2-50$
Çıta Profili Yükseklik Glazing Bad Profile Height	LR-4532			2 Ad. 2 Pcs. $D=H-85,4$
Kanat Cam Genişlik Sash Glazing Width				1 Ad. 1 Pcs. $C1=L/2-149$
Kanat Cam Yükseklik Sash Glazing Height				1 Ad. 1 Pcs. $D1=H-230$
Sabit Cam Genişlik Fix Glazing Width				1 Ad. 1 Pcs. $E1=L/2-60$
Sabit Cam Yükseklik Fix Glazing Height				1 Ad. 1 Pcs. $F1=H-54,4$

45° Klasik Sürme
45° Classical SlideÖlçek: 1:2
Scale: 1:2

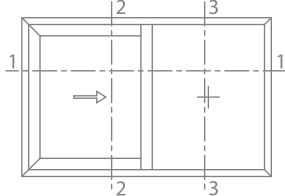


Alternatif Detay-1
Alternative Details-1



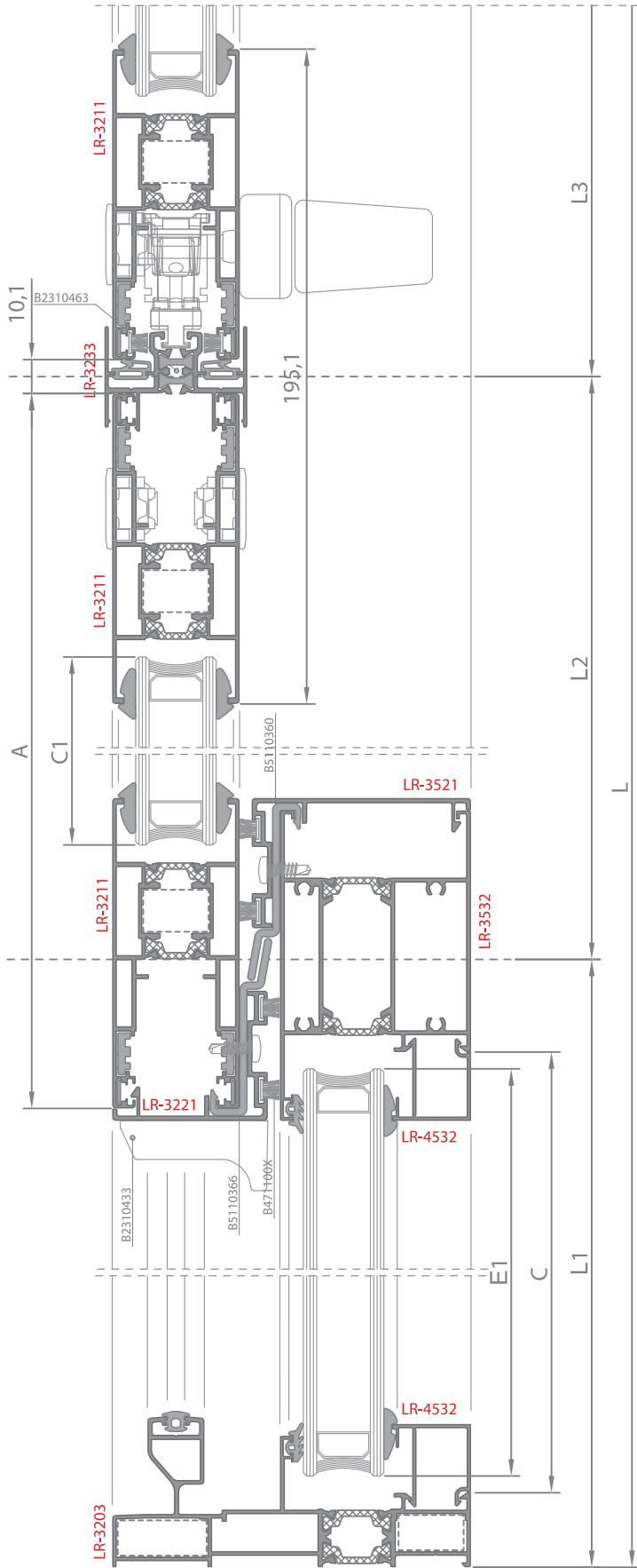
Alternatif Detay-2
Alternative Details-2

45° Klasik Sürme
45° Classical Slide



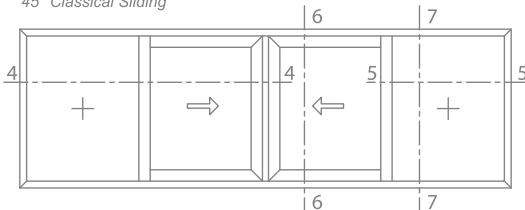
	B3311190 Vidalı Köşe Bağ. Takoza Screwed Corner Cleat	4 Ad. 4 Pcs.		B2310465 Tekli Kasa Kapak Klipsi Single Rail Adapter Clip	L1x2+H/150
	B3311260 Vidalı Köşe Bağ. Takoza Screwed Corner Cleat	4 Ad. 4 Pcs.		B2210497 Sallantı Engelleyici Sash Spacer	2 Ad. 2 Pcs.
	B3115215 Vidalı Köşe Bağ. Takoza Screwed Corner Cleat	4 Ad. 4 Pcs.		B1110209 Ayarlı Kanat Rulman Sliding And Ad. Carriage	2 Ad. 2 Pcs.
	B2110494 45° Kanat Köşe Hizalama 45° Corner Alignment	8 Ad. 8 Pcs.	Alternatif Detay Alternative Details		8A+8B
	B2110404 45° Kanat Köşe Hizalama 45° Corner Alignment	8 Ad. 8 Pcs.			8A+8B
	B5310308 Kasa Alt Tozluk Central Bottom Sealing	1 Ad. 1 Pcs.		B4310022 Ray Kapama Contası Gasket For Frame Rails	1L+2H
	B5320318 Kasa Üst Tozluk Central Top Sealing	1 Ad. 1 Pcs.		B4210035 3 mm. Dış Cam Fıtili 3 mm. Insulating Gasket	2C+2D
	B2310433 Kenetli Adap. Kap. Alt End Cap Bottom LR-3221, LR-3225, LR-3226	1 Ad. 1 Pcs.		Cam Kama Contası Wedge Gasket (Cam Terçiline Göre) (According To The Preferred Glass)	2C+2D 4xD1+4xC1
	B2310434 Kenetli Adap. Kap. Üst End Cap Top LR-3221, LR-3225, LR-3226	1 Ad. 1 Pcs.		B5110366 Kanat Kenetle Plastiği Locking Adapter Plastic	B=1 Ad. B=1 Pcs.
	B2210424 Kanat Stoplama Adaptörü Sash Stoper Adapter	2 Ad. 2 Pcs.		B5110360 Kanat Kenetleme Plastiği Locking Adapter Plastic	B=1 Ad. B=1 Pcs.
	B2210426 Lastik Kanat Stoperi Rubber Stop For Sash	2 Ad. 2 Pcs.		B5611214 Paslanmaz Çelik Ray Stainless Steel Driver	L-90 mm. 1 Ad./Pcs.

Ölçek: 1:2
Scale: 1:2

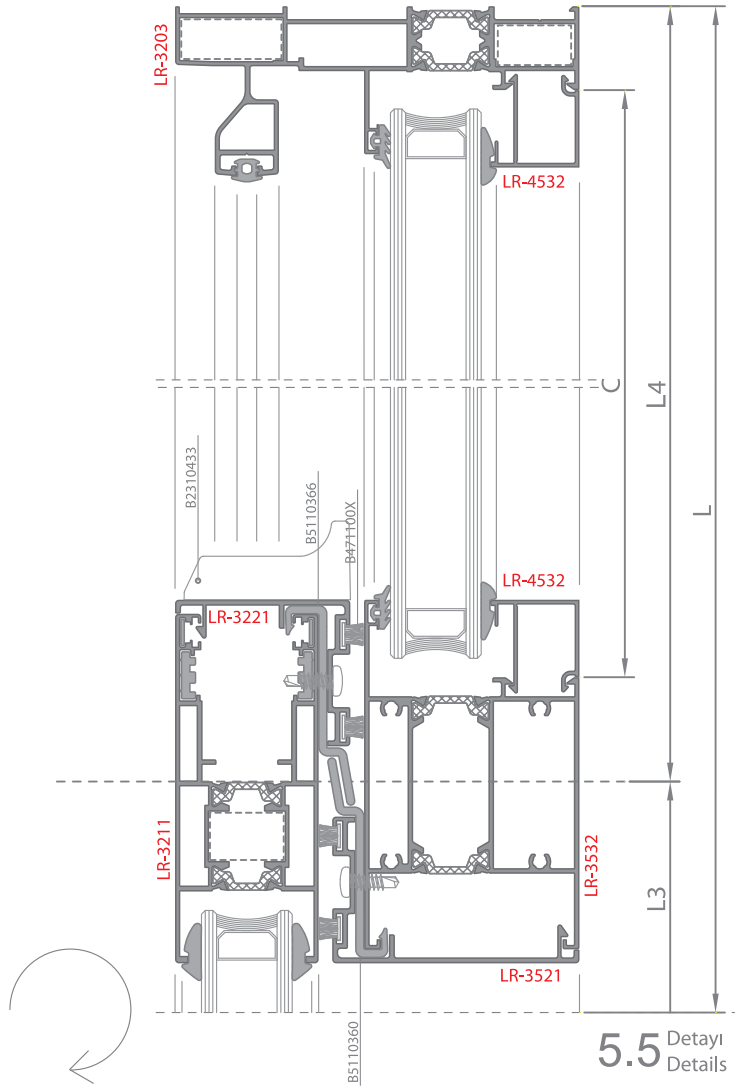


4.4 Detaylı
Details

45° Klasik Sürme
45° Classical Sliding

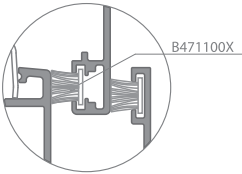
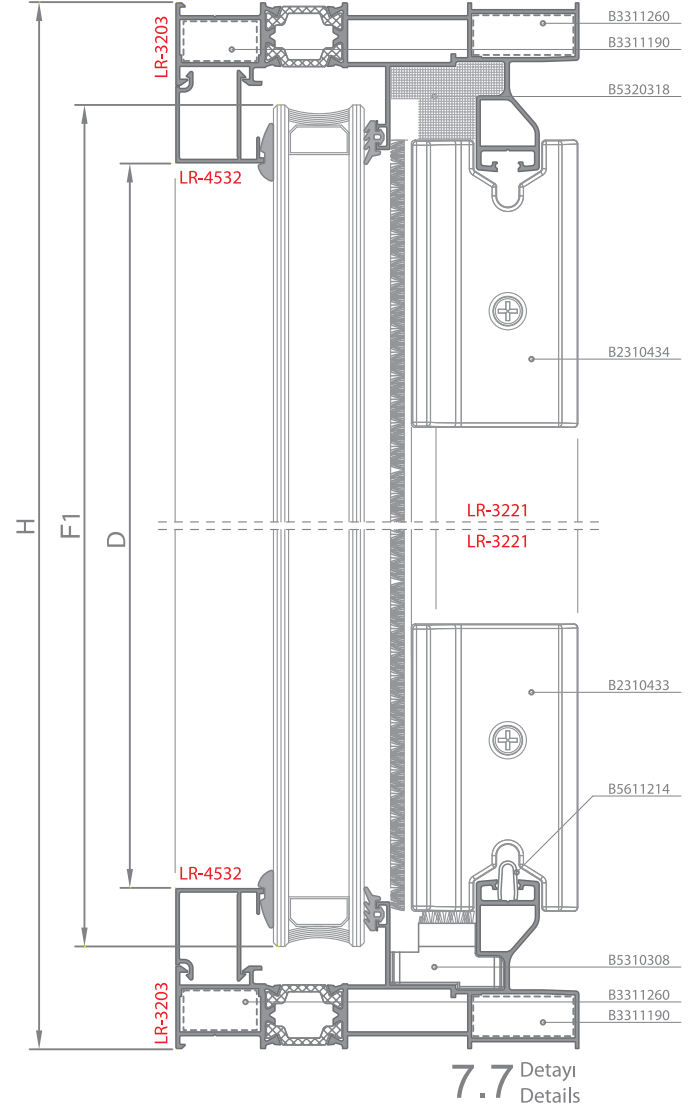
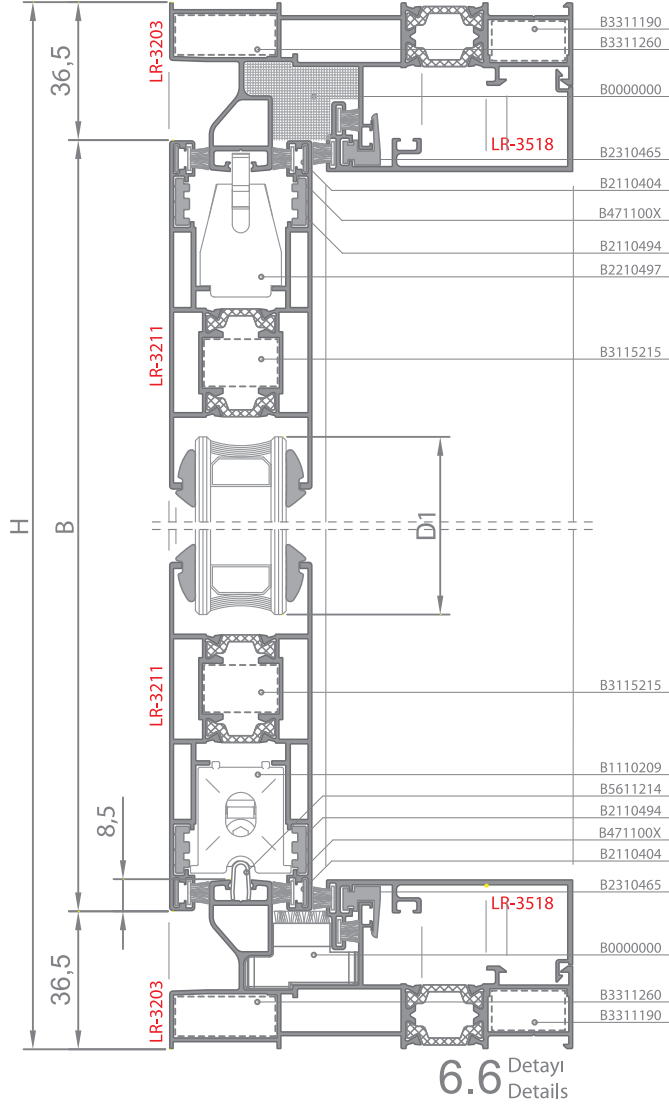


Ölçek: 1:2
Scale: 1:2

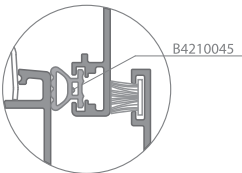


5.5 Detaylı
Details

Kasa Genişlik Frame Width	LR-3203			2 Ad. 2 Pcs.	L
Kasa Yükseklik Frame Height	LR-3203			2 Ad. 2 Pcs.	H
Kanat Genişlik Sash Width	LR-3211			4 Ad. 4 Pcs.	A=L2+21
Kanat Yükseklik Sash Height	LR-3211			4 Ad. 4 Pcs.	B=H-73
Kenet Yükseklik Hook Profile Height	LR-3532			2 Ad. 2 Pcs.	H-35
Kenet Yükseklik Hook Profile Height	LR-3221			2 Ad. 2 Pcs.	H-73
Kenet Yükseklik Hook Profile Height	LR-3521			2 Ad. 2 Pcs.	H-73
Adaptör Profili Genişlik Adapter Profile Width	LR-3518			2 Ad. 2 Pcs.	L2+L3-133
Orta Kilitleme Kanat Yükseklik Center Locking Sash Height	LR-3233			1 Ad. 1 Pcs.	H-113
Çıta Profili Genişlik Glazing Bad Profile Width	LR-4532			4 Ad. 4 Pcs.	E=L4-31,5
Çıta Profili Yükseklik Glazing Bad Profile Height	LR-4532			4 Ad. 4 Pcs.	F=H-85,4
Kanat Cam Genişlik Sash Glazing Width				2 Ad. 2 Pcs.	C1=A-157
Kanat Cam Yükseklik Sash Glazing Height				2 Ad. 2 Pcs.	D1=H-230
Sabit Cam Genişlik Fix Glazing Width				2 Ad. 2 Pcs.	E1=L4-41,5
Sabit Cam Yükseklik Fix Glazing Height				2 Ad. 2 Pcs.	F1=H-54,4

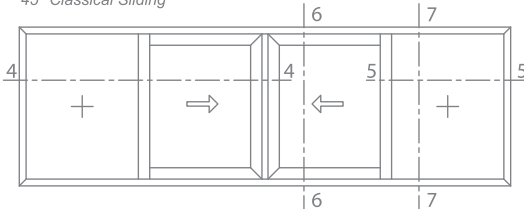


Alternatif Detay-1
Alternative Details-1



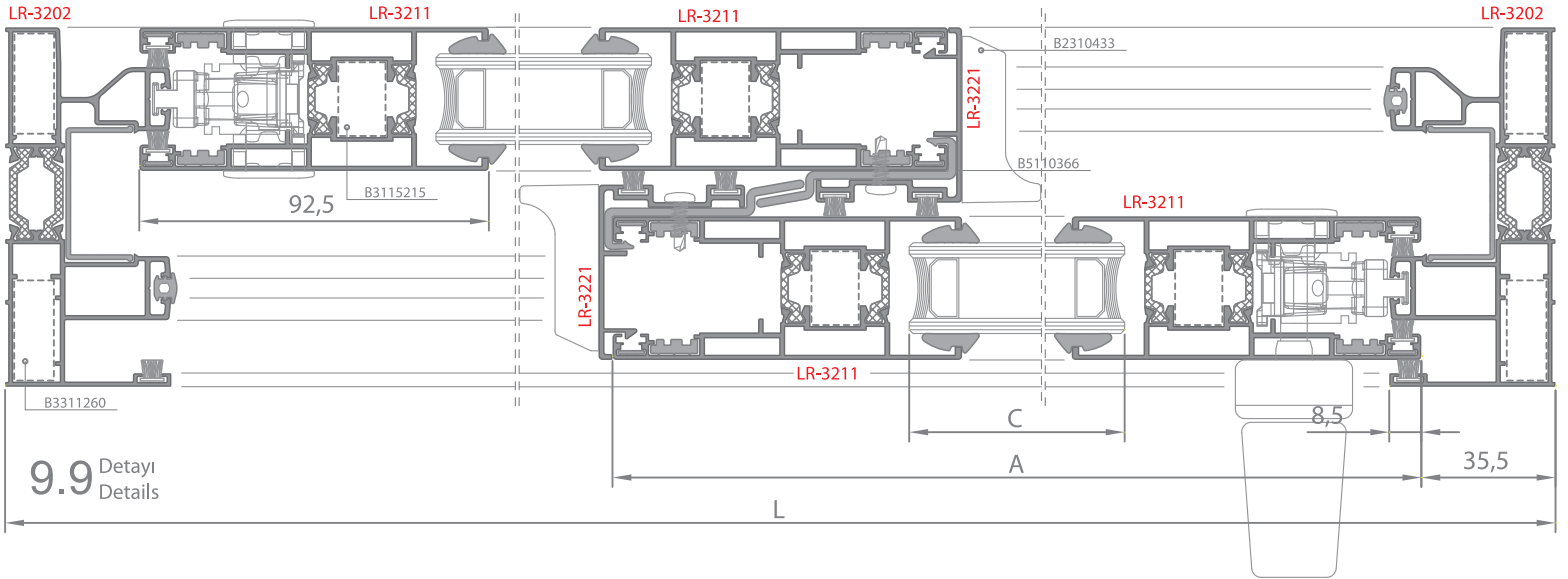
Alternatif Detay-2
Alternative Details-2

45° Klasik Sürme
45° Classical Sliding



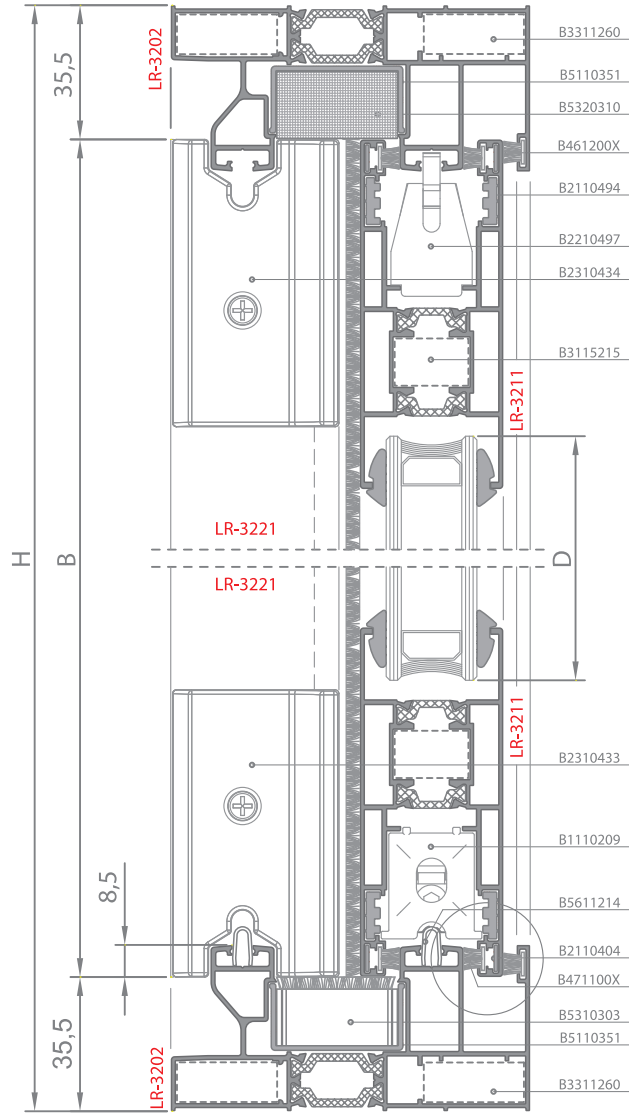
	B3311190 Vidalı Köşe Bağ. Takozu Screwed Corner Cleat	4 Ad. 4 Pcs.		B2310465 Tekli Kasa Kapak Klipsi Single Rail Adapter Clip	L2x2/150	
	B3311260 Vidalı Köşe Bağ. Takozu Screwed Corner Cleat	4 Ad. 4 Pcs.		B2210497 Sallantı Engellyici Sash Spacer	4 Ad. 4 Pcs.	
	B3115215 Vidalı Köşe Bağ. Takozu Screwed Corner Cleat	8 Ad. 8 Pcs.		B1110209 Ayarlı Kanat Rulman Sliding And Ad. Carriage	4 Ad. 4 Pcs.	
	B2110494 45° Kanat Köşe Hizalama 45° Corner Alignment	16 Ad. 16 Pcs.	Alternatif Detay Alternative Details		B471100X Fırça Fıtlı TRI-FIN Sealing Brush TRI-FIN	16A+10B
	B2110404 45° Kanat Köşe Hizalama 45° Corner Alignment	16 Ad. 16 Pcs.			B4210045 Sürme Kanat Conta TPE Sliding Sash Gasket TPE	16A+10B
	B5310308 Kasa Alt Tozluk Central Bottom Sealing	3 Ad. 3 Pcs.		B4310022 Ray Kapama Contası Gasket For Frame Rails	1L+2H	
	B5320318 Kasa Üst Tozluk Central Top Sealing	3 Ad. 3 Pcs.		B4210035 3 mm. Dış Cam Fıtlı 3 mm. Insulating Gasket	4C+4D	
	B2310433 Kenetli Adap. Kap. Alt End Cap Bottom LR-3221, LR-3225, LR-3226	2 Ad. 2 Pcs.		B4210035 Cam Kama Contası Wedge Gasket (Cam Tercihine Göre) (According To The Preferred Glass)	4C+4D 8xD1+8xC1	
	B2310434 Kenetli Adap. Kap. Üst End Cap Top LR-3221, LR-3225, LR-3226	2 Ad. 2 Pcs.		B5110366 Kanat Kenetleme Plastiği Locking Adapter Plastic	B=2 Ad. B=2 Pcs.	
	B2210424 Kanat Stoplama Adaptörü Sash Stoper Adapter	2 Ad. 2 Pcs.		B5110360 Kanat Kenetleme Plastiği Locking Adapter Plastic	B=2 Ad. B=2 Pcs.	
	B2210426 Lastik Kanat Stoperi Rubber Stop For Sash	2 Ad. 2 Pcs.		B5611214 Paslanmaz Çelik Ray Stainless Steel Driver	L-90 mm. 1 Ad./Pcs.	
	B2310464 Orta Adaptör Kapağı Central End cap For Sash	1 Tk. 1 Set				

Ölçek: 1:2
Scale: 1:2

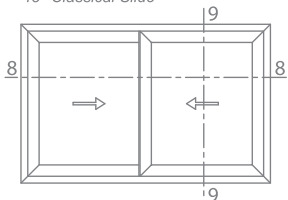


9.9 Detay
Details















8.8 Detay
Details








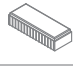

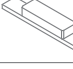





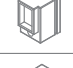





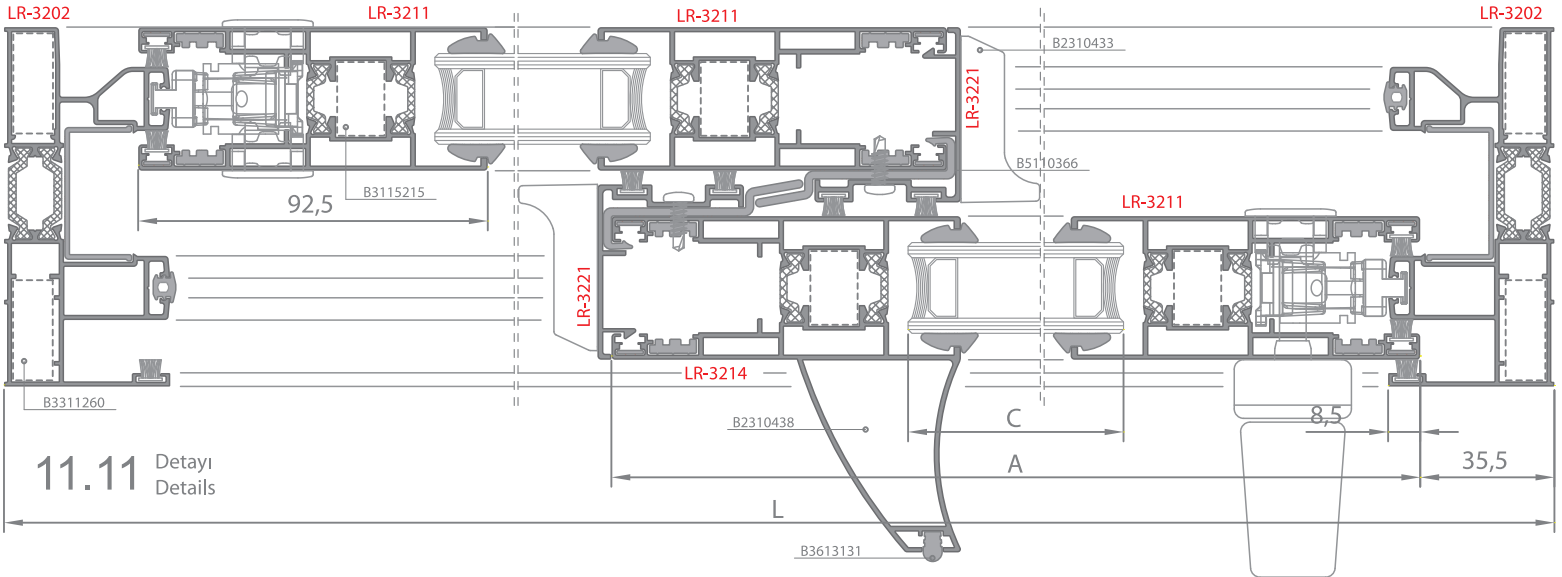
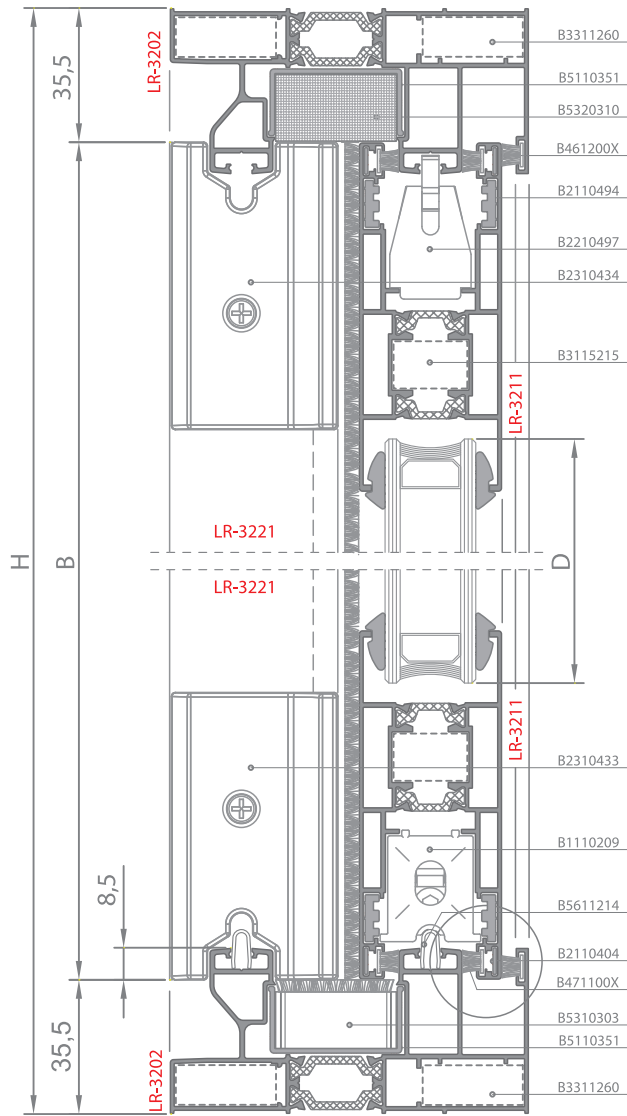
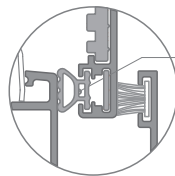
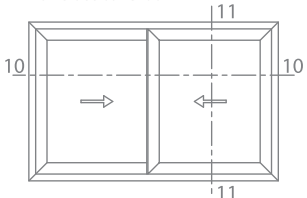
45° Klasik Sürme
45° Classical Slide



Alternatif Detay
Alternative Details

	Kasa Genişlik Frame Width	LR-3201 LR-3202		2 Ad. 2 Pcs.	L
	Kasa Yükseklik Frame Height	LR-3201 LR-3202		2 Ad. 2 Pcs.	H
	Kanat Genişlik Sash Width	LR-3211		4 Ad. 4 Pcs.	A=L+17,8/2
	Kanat Yükseklik Sash Height	LR-3211		4 Ad. 4 Pcs.	B=H-71
	Kenet Yükseklik Hook Profile Height	LR-3211		2 Ad. 2 Pcs.	H-71
	Cam Genişlik Glazing Width			2 Ad. 2 Pcs.	C=L-296/2
	Cam Yükseklik Glazing Height			2 Ad. 2 Pcs.	D=H-228

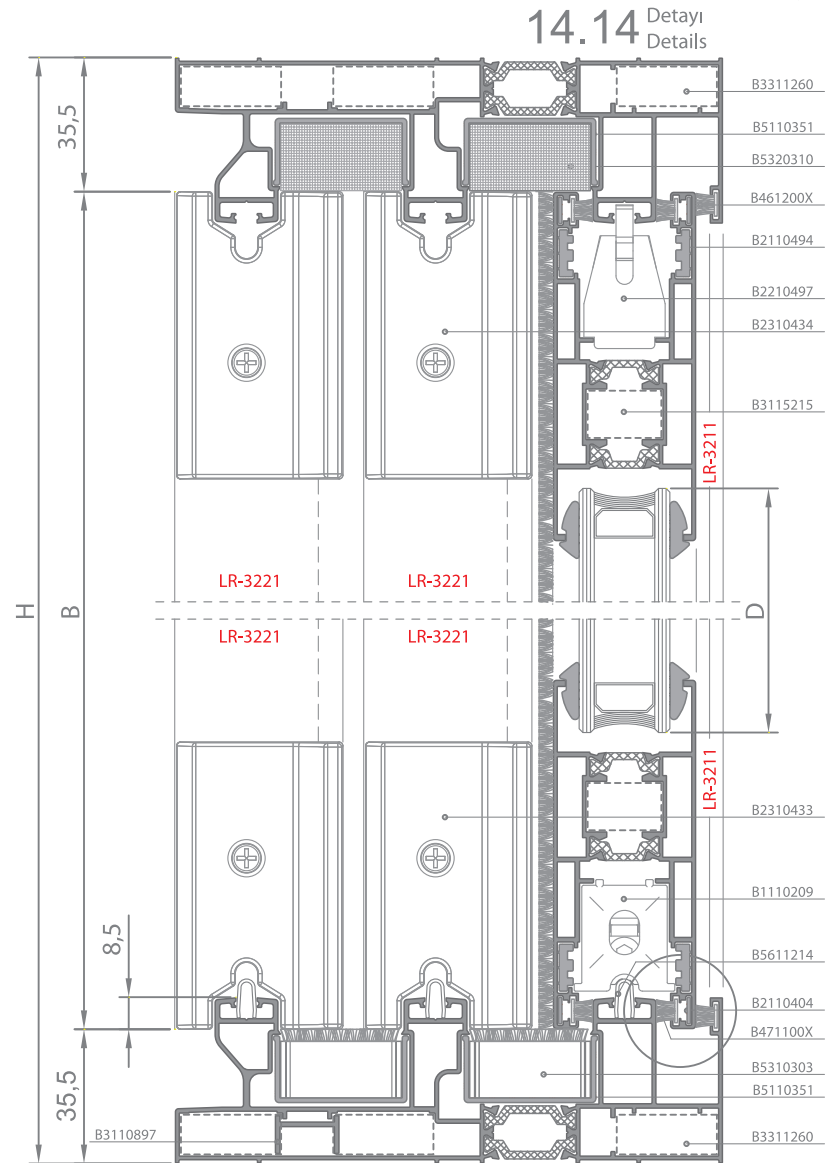
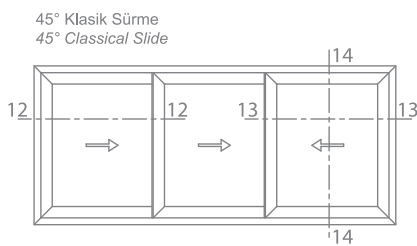
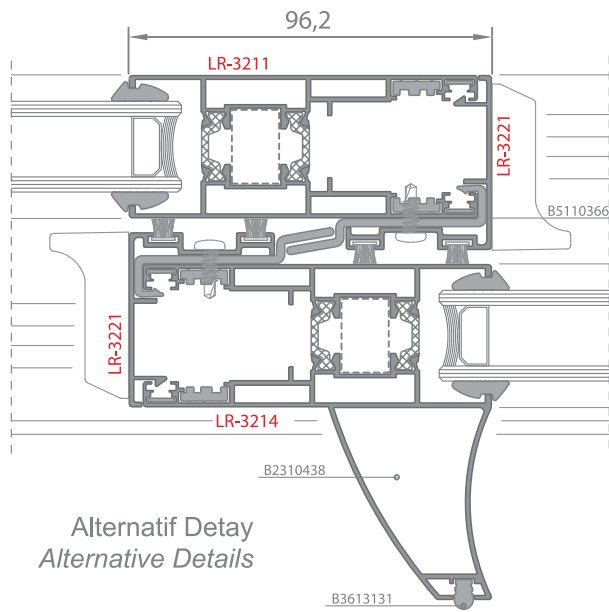
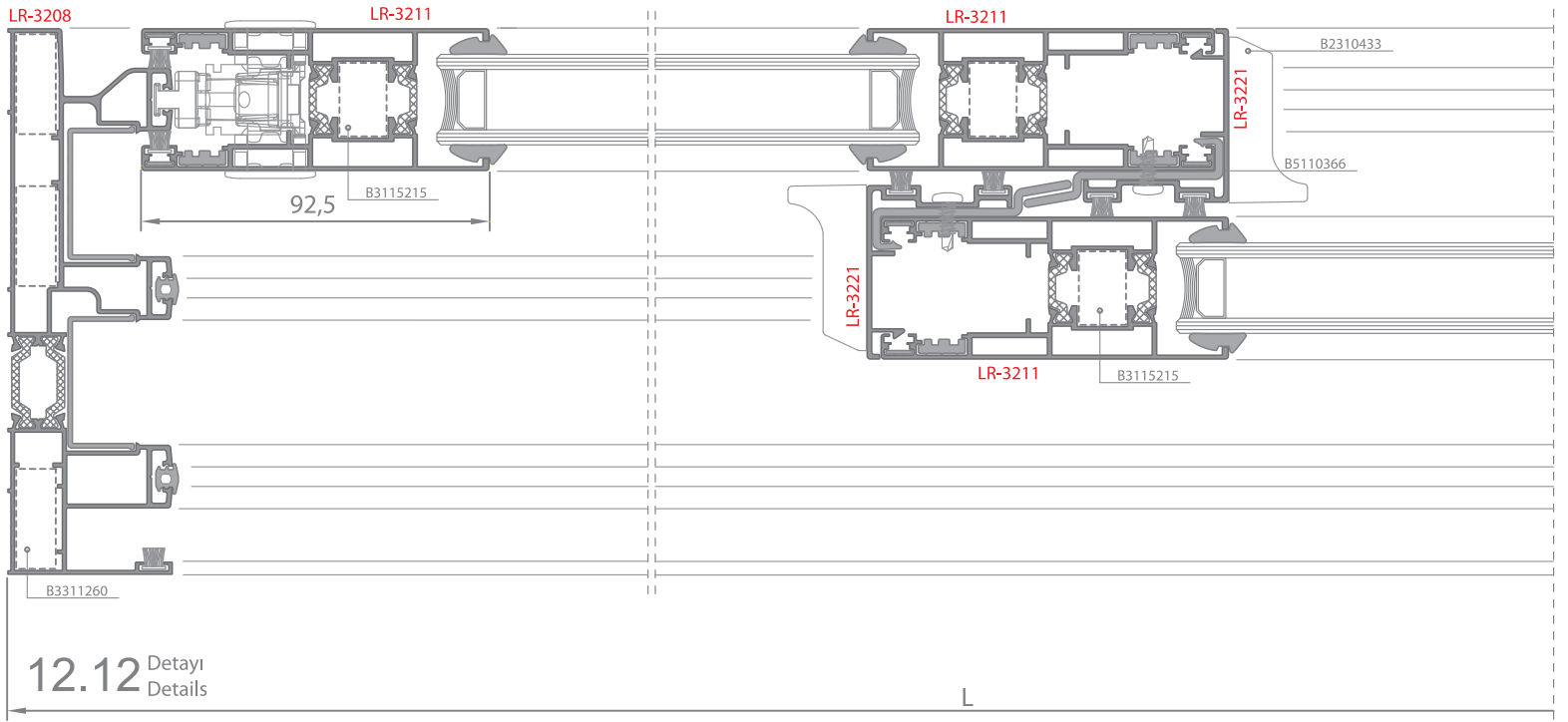
	B3311260 Vidalı Köşe Bağ. Takoza Screwed Corner Cleat	8 Ad. 8 Pcs.		B2210497 Sallantı Engellyici Sash Spacer	4 Ad. 4 Pcs.
	B3115215 Vidalı Köşe Bağ. Takoza Screwed Corner Cleat	8 Ad. 8 Pcs.		B1110209 Ayarlı Kanat Rulman Sliding And Ad. Carriage	4 Ad. 4 Pcs.
	B2110494 45° Kanat Köşe Hizalama 45° Corner Alignment	16 Ad. 16 Pcs.		B461200X Fırça Fitol Sealing Brush	2L+2H
	B2110404 45° Kanat Köşe Hizalama 45° Corner Alignment	16 Ad. 16 Pcs.	Alternatif Detay Alternative Details	B471100X Fırça Fitol TRI-FIN Sealing Brush TRI-FIN	8A+8B
	B5310303 Kasa Alt Tozluk Central Bottom Sealing	1 Ad. 1 Pcs.			B4210045 Sürme Kanat Conta TPE Sliding Sash Gasket TPE
	B5320310 Kasa Üst Tozluk Central Top Sealing	1 Ad. 1 Pcs.		B4310022 Ray Kapama Contası Gasket For Frame Rails	2L+4H
	B2310433 Kenetli Adap. Kap. Alt End Cap Bottom LR-3221, LR-3225, LR-3226	2 Ad. 2 Pcs.		Cam Kama Contası Wedge Gasket (Cam Tercihine Göre) (According To The Preferred Glass)	A-185 mm. 8 Ad./Pcs. B-185 mm. 8 Ad./Pcs.
	B2310434 Kenetli Adap. Kap. Üst End Cap Top LR-3221, LR-3225, LR-3226	2 Ad. 2 Pcs.		B5110366 Kanat Kenetleme Plastiği Locking Adapter Plastic	B=2 Ad. B=2 Pcs.
	B2210424 Kanat Stoplama Adaptörü Sash Stoper Adapter	4 Ad. 4 Pcs.		B5110351 Kanal "U" Plastiği Plastic Cover For Frame	L-32 mm. 2 Ad./Pcs H-32 mm. 2 Ad./Pcs
	B2210426 Lastik Kanat Stoperi Rubber Stop For Sash	4 Ad. 4 Pcs.		B5611214 Paslanmaz Çelik Ray Stainless Stell Driver	L-90 mm. 2 Ad./Pcs.

11.11 Detay
Details10.10 Detay
Details45° Klasik Sürme
45° Classical SlideAlternatif Detay
Alternative Details

Kasa Genişlik Frame Width	LR-3201 LR-3202			2 Ad. 2 Pcs.	L
Kasa Yükseklik Frame Height	LR-3201 LR-3202			2 Ad. 2 Pcs.	H
Kanat Genişlik Sash Width	LR-3211			4 Ad. 4 Pcs.	A=L+17,8/2
Kanat Yükseklik Sash Height	LR-3211			3 Ad. 3 Pcs.	B=H-71
Kulplu Kanat Yükseklik Sash Height	LR-3214			1 Ad. 1 Pcs.	B=H-71
Kenet Yükseklik Hook Profile Height	LR-3211			2 Ad. 2 Pcs.	H-71
Cam Genişlik Glazing Width				2 Ad. 2 Pcs.	C=L-296/2
Cam Yükseklik Glazing Height				2 Ad. 2 Pcs.	D=H-228

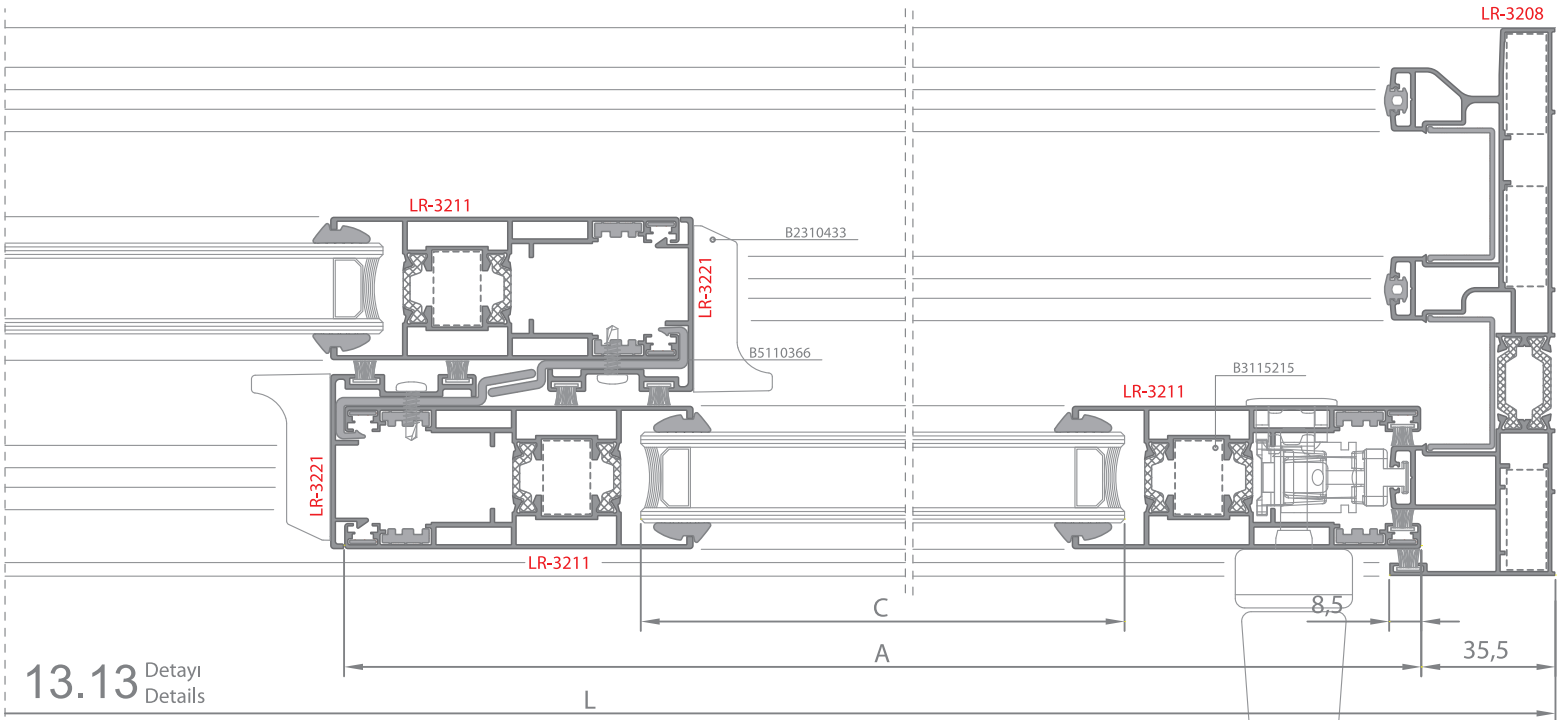
	B3311260 Vidalı Köşe Bağ. Takoza Screwed Corner Cleat	8 Ad. 8 Pcs.		B2210497 Sallantı Engelleyici Sash Spacer	4 Ad. 4 Pcs.
	B3115215 Vidalı Köşe Bağ. Takoza Screwed Corner Cleat	8 Ad. 8 Pcs.		B1110209 Ayarlı Kanat Rulman Sliding And Ad. Carriage	4 Ad. 4 Pcs.
	B2110494 45° Kanat Köşe Hizalama 45° Corner Alignment	16 Ad. 16 Pcs.		B461200X Fırça Fıtil Sealing Brush	2L+2H
	B2110404 45° Kanat Köşe Hizalama 45° Corner Alignment	16 Ad. 16 Pcs.		B471100X Fırça Fıtil TRI-FIN Sealing Brush TRI-FIN	8A+8B
	B5310303 Kasa Alt Tozluk Central Bottom Sealing	1 Ad. 1 Pcs.		B4210045 Sürme Kanat Conta TPE Sliding Sash Gasket TPE	8A+8B
	B5320310 Kasa Üst Tozluk Central Top Sealing	1 Ad. 1 Pcs.		B4310022 Ray Kapama Contası Gasket For Frame Rails	2L+4H
	B2310433 Kenetli Adap. Kap. Alt End Cap Bottom LR-3221, LR-3225, LR-3226	2 Ad. 2 Pcs.		B5110366 Kanat Kenetle Plastiği Locking Adapter Plastic	B=2 Ad. B=2 Pcs.
	B2310434 Kenetli Adap. Kap. Üst End Cap Top LR-3221, LR-3225, LR-3226	2 Ad. 2 Pcs.		B5110351 Kanal "U" Plastiği Plastic Cover For Frame	L-32 mm. 2 Ad./Pcs H-32 mm. 2 Ad./Pcs
	B2210424 Kanat Stoplama Adaptörü Sash Stoper Adapter	4 Ad. 4 Pcs.		B5611214 Paslanmaz Çelik Ray Stainless Steel Driver	L-90 mm. 2 Ad./Pcs.
	B2210426 Lastik Kanat Stoperi Rubber Stop For Sash	4 Ad. 4 Pcs.		B3613131 Dekoratif Kulüp Çıtası Decorative Trim (Ral 3020)	H-165 mm. 1 Ad./Pcs

Ölçek: 1:2
Scale: 1:2

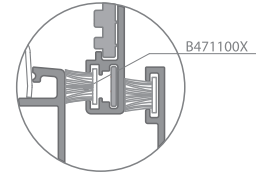


Ölçek: 1:2
Scale: 1:2

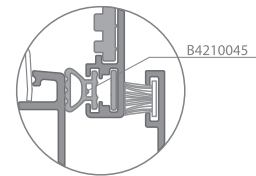
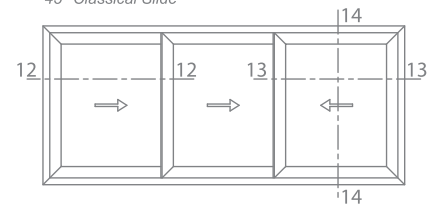
SAYFA 26

13.13 Detay
Details

Kasa Genişlik Frame Width	LR-3207 LR-3208			2 Ad. 2 Pcs.	L
Kasa Yükseklik Frame Height	LR-3207 LR-3208			2 Ad. 2 Pcs.	H
Kanat Genişlik Sash Width	LR-3211			6 Ad. 6 Pcs.	A=L+106,6/3
Kanat Yükseklik Sash Height	LR-3211			6 Ad. 6 Pcs.	B=H-71
Kenet Yükseklik Hook Profile Height	LR-3211			4 Ad. 4 Pcs.	H-71
Cam Genişlik Glazing Width				3 Ad. 3 Pcs.	C=L-364/3
Cam Yükseklik Glazing Height				3 Ad. 3 Pcs.	D=H-228

Alternatif Detay-1
Alternative Details-1

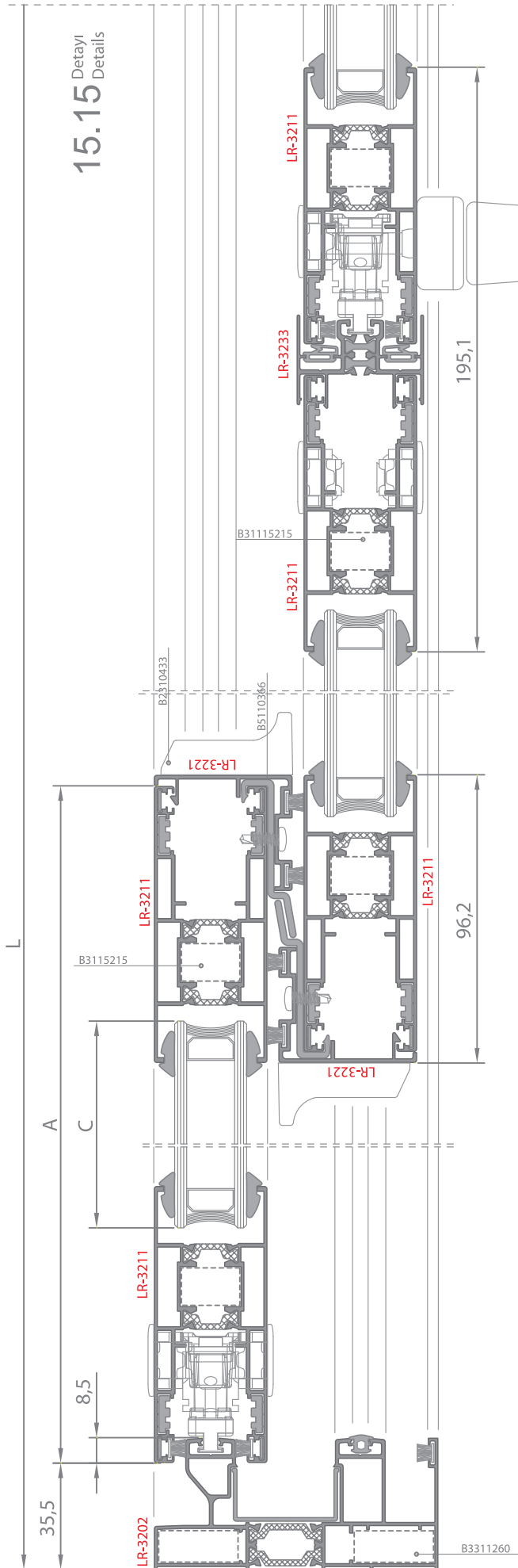
	B3311260 Vidalı Köşe Bağ. Takozu Screwed Corner Cleat	8 Ad. 8 Pcs.		B1110209 Ayarlı Kanat Rulman Sliding And Ad. Carriage	6 Ad. 6 Pcs.	
	B3115215 Vidalı Köşe Bağ. Takozu Screwed Corner Cleat	12 Ad. 12 Pcs.		B461200X Fırça Fıtlı Sealing Brush	2L+2H	
	B2110494 45° Kanat Köşe Hizalama 45° Corner Alignment	24 Ad. 24 Pcs.	Alternatif Detay Alternative Details		B471100X Fırça Fıtlı TRI-FIN Sealing Brush TRI-FIN	12A+12B
	B2110404 45° Kanat Köşe Hizalama 45° Corner Alignment	24 Ad. 24 Pcs.			B4210045 Sürme Kanat Conta TPE Sliding Sash Gasket TPE	12A+12B
	B5310303 Kasa Alt Tozluk Central Bottom Sealing	2 Ad. 2 Pcs.		B4310022 Ray Kapama Contası Gasket For Frame Rails	3L+6H	
	B5320310 Kasa Üst Tozluk Central Top Sealing	2 Ad. 2 Pcs.		Cam Kama Contası Wedge Gasket (Cam Terçiline Göre) (According To The Preferred Glass)	A-185 mm. 12 Ad./Pcs. B-185 mm. 12 Ad./Pcs.	
	B2310433 Kenetli Adap. Kap. Alt End Cap Bottom LR-3221, LR-3225, LR-3226	4 Ad. 4 Pcs.		B5110366 Kanat Kenetle Plastiği Locking Adapter Plastic	B=4 Ad. B=4 Pcs.	
	B2310434 Kenetli Adap. Kap. Üst End Cap Top LR-3221, LR-3225, LR-3226	4 Ad. 4 Pcs.		B5110351 Kanal "U" Plastiği Plastic Cover For Frame	L-32 mm. 4 Ad./Pcs. H-32 mm. 4 Ad./Pcs.	
	B2210424 Kanat Stoplama Adaptörü Sash Stopper Adapter	4 Ad. 4 Pcs.		B5611214 Paslanmaz Çelik Ray Stainless Steel Driver	L-90 mm. 3 Ad./Pcs.	
	B2210426 Lastik Kanat Stoperi Rubber Stop For Sash	4 Ad. 4 Pcs.		B3110897 Kasa Destek Profili Support Profile	L-50 mm. 1 Ad./Pcs.	
	B2210497 Sallantı Engellyici Sash Spacer	6 Ad. 6 Pcs.				

Alternatif Detay-2
Alternative Details-245° Klasik Sürme
45° Classical SlideÖlçek: 1:2
Scale: 1:2

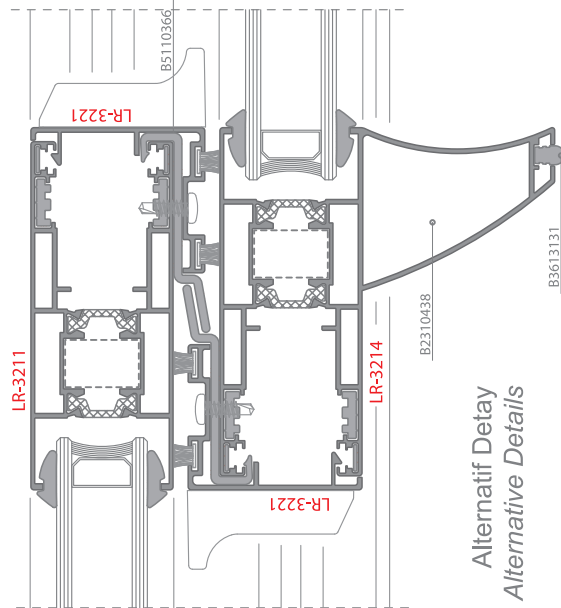
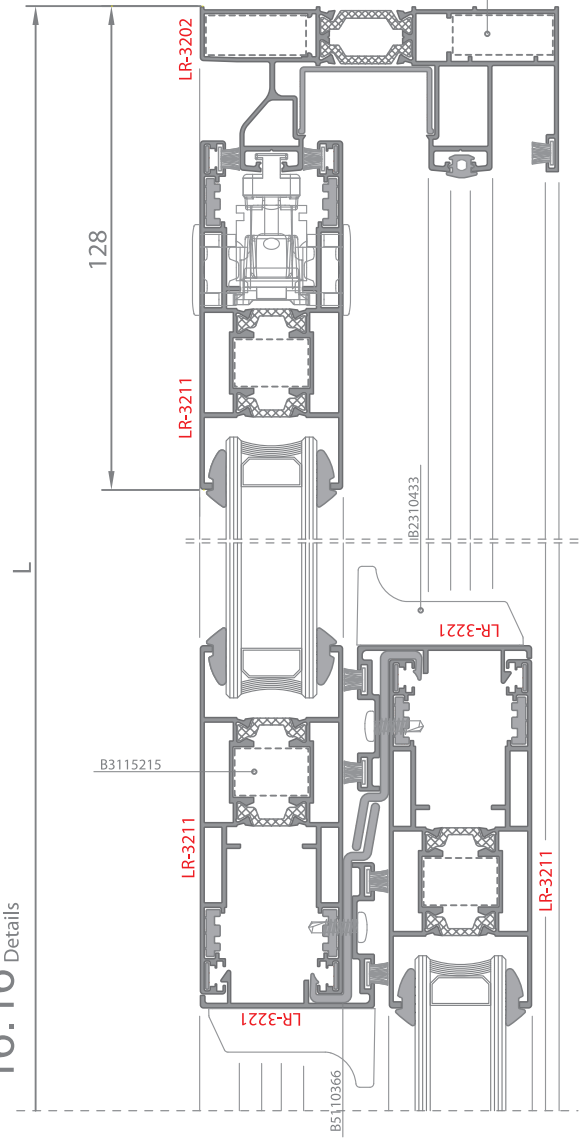
SAYFA 27

B3311260

15.15 Detaylı
Details

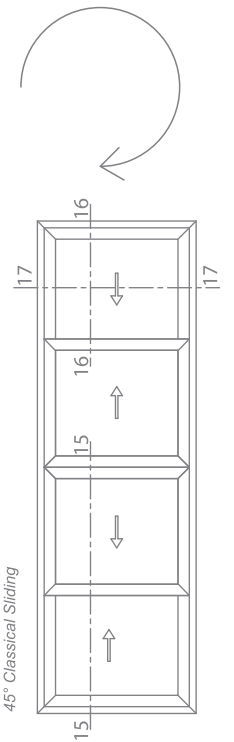


16.16 Detaylı
Details



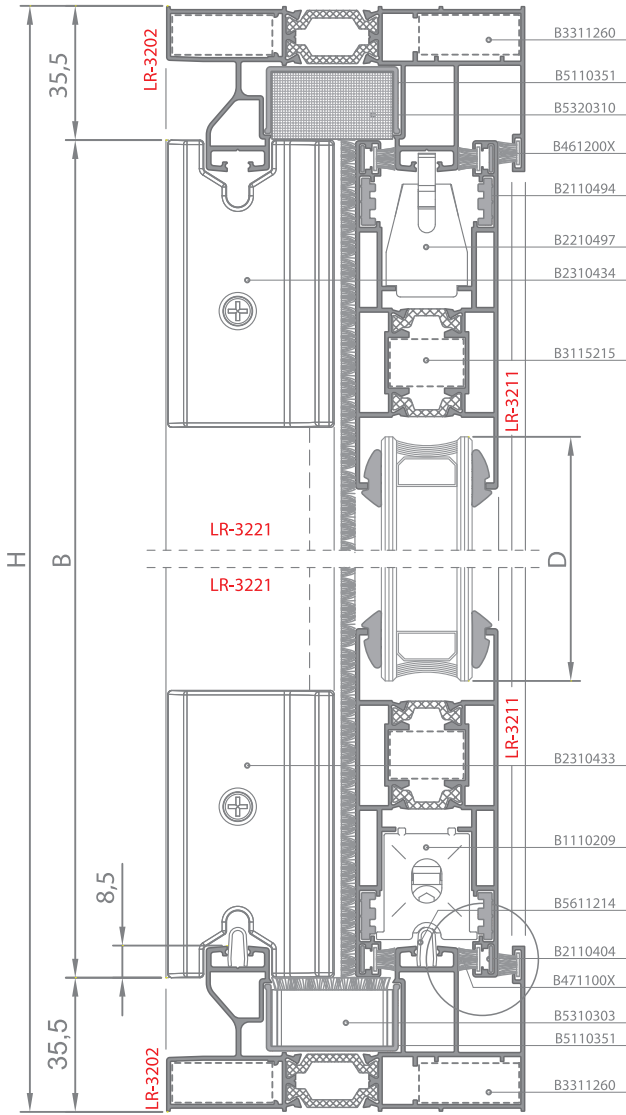
Alternatif Detay
Alternative Details

45° Klasik Sürme
45° Classical Sliding



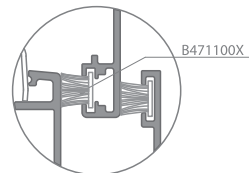
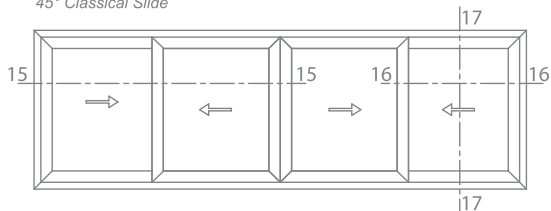
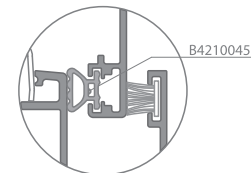
Ölçek: 1:2
Scale: 1:2

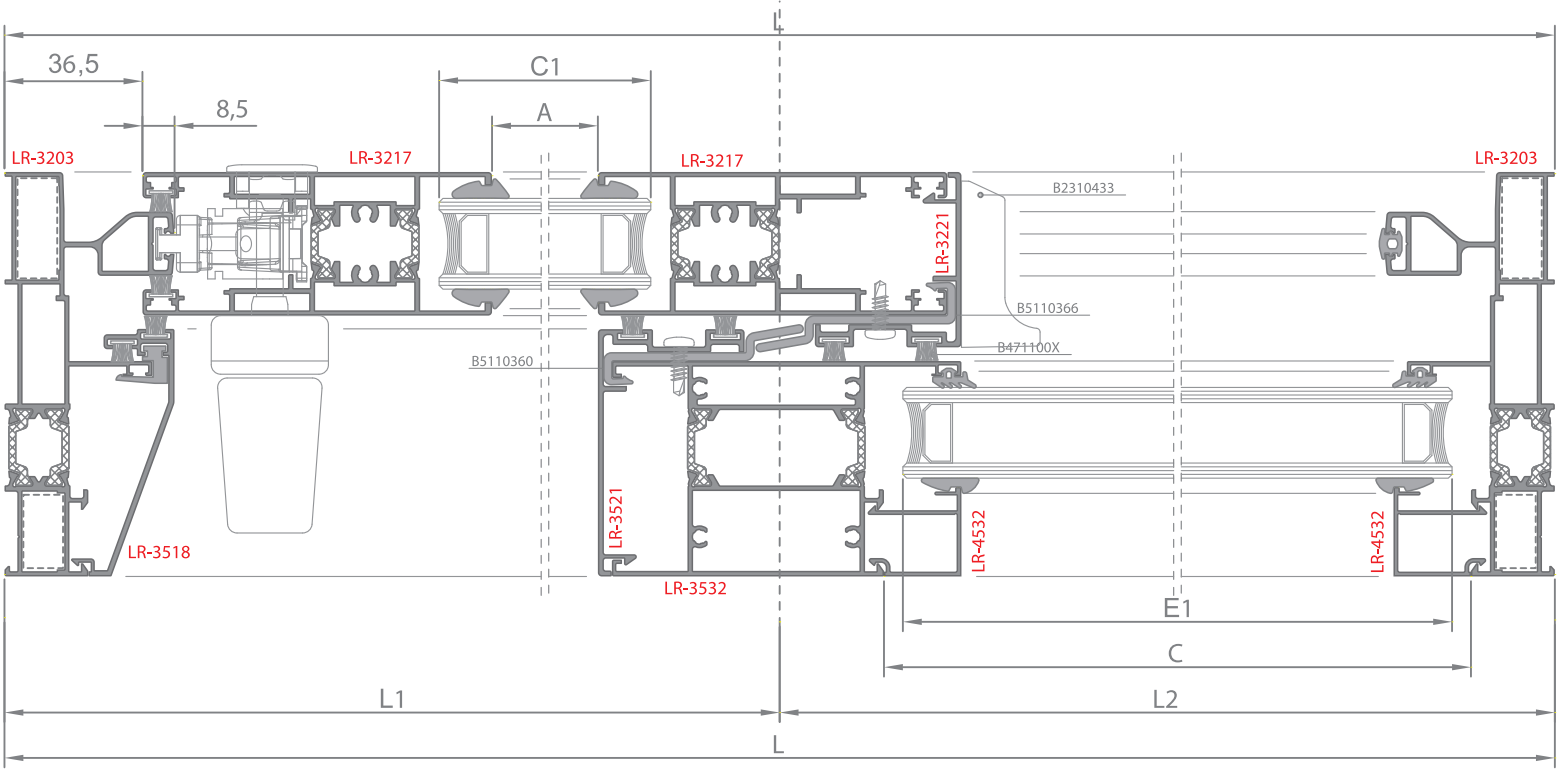
SAYFA 28









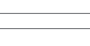

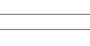

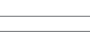

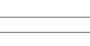







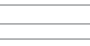



17.17 Detayı
Details

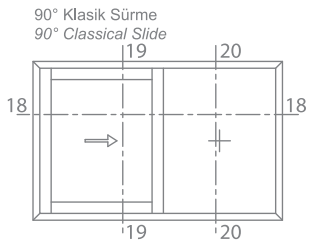
Kasa Genişlik Frame Width	LR-3201 LR-3202			2 Ad. 2 Pcs.	L
Kasa Yükseklik Frame Height	LR-3201 LR-3202			2 Ad. 2 Pcs.	H
Kanat Genişlik Sash Width	LR-3211			8 Ad. 8 Pcs.	A=L+96,5/4
Kanat Yükseklik Sash Height	LR-3211			8 Ad. 8 Pcs.	B=H-71
Orta Kilitleme Kanat Yükseklik Center Locking Sash Height	LR-3233			1 Ad. 1 Pcs.	B-40
Kenet Yükseklik Hook Profile Height	LR-3211			4 Ad. 4 Pcs.	H-71
Cam Genişlik Glazing Width				4 Ad. 4 Pcs.	C=L-531/4
Cam Yükseklik Glazing Height				4 Ad. 4 Pcs.	D=H-228

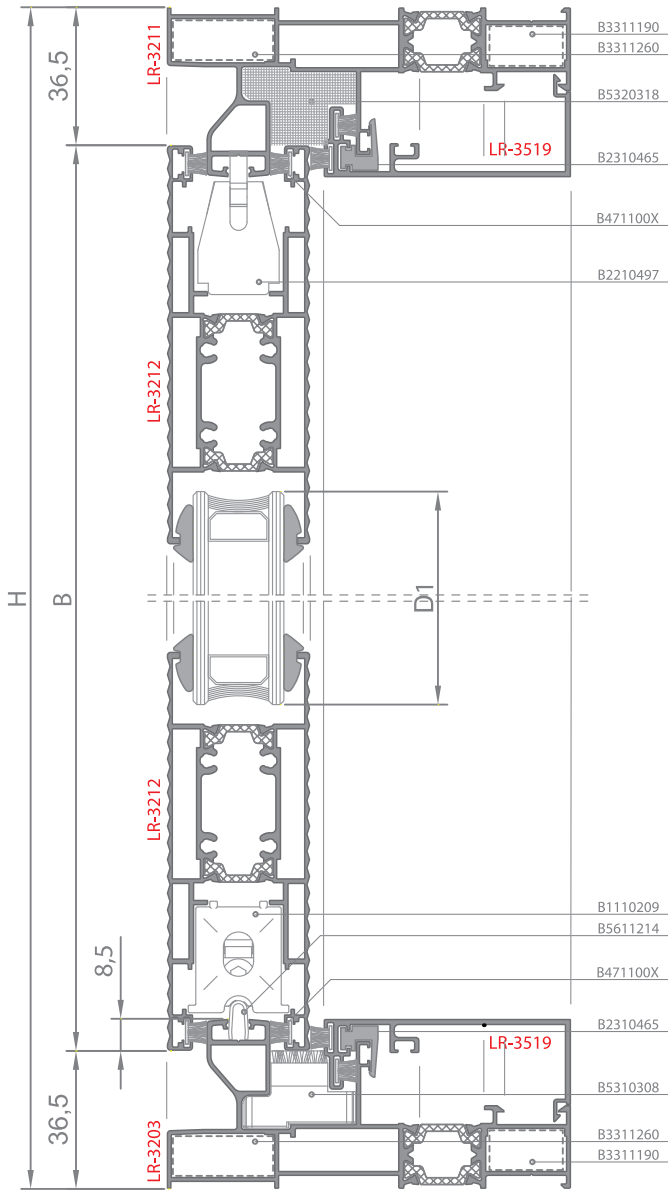
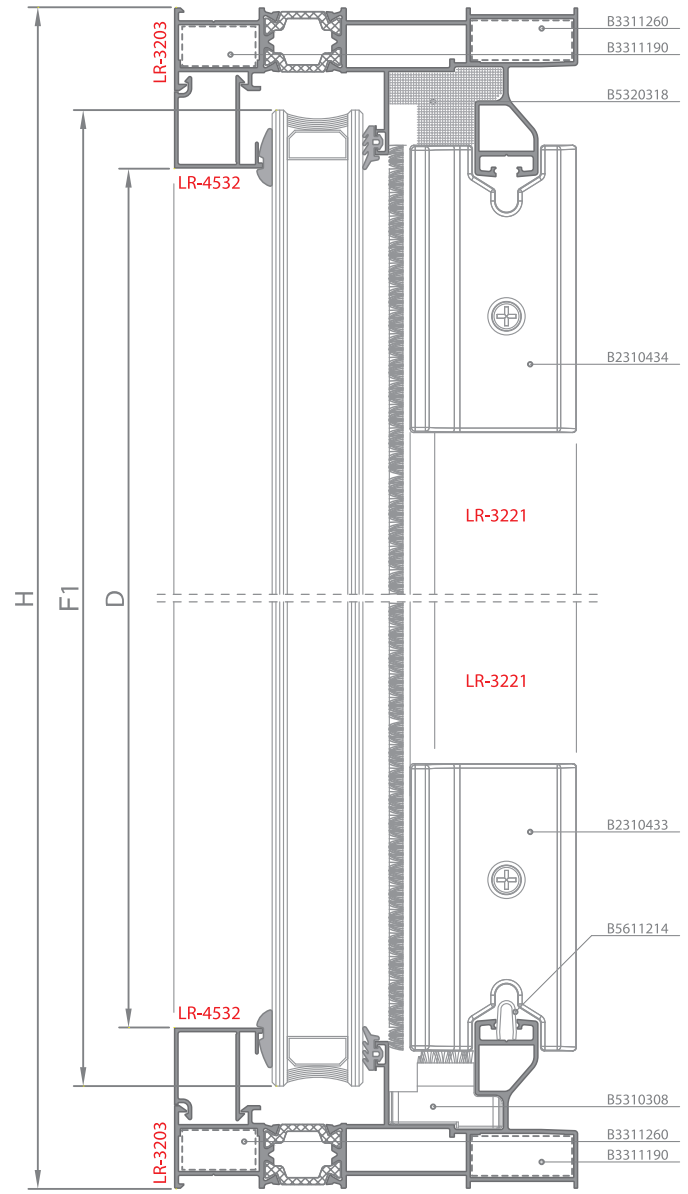
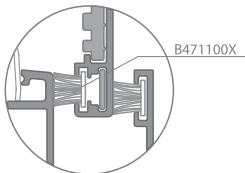
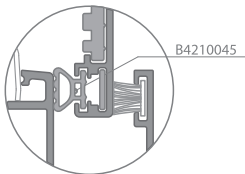
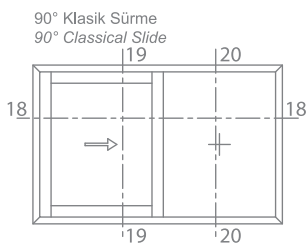
	B3311260 Vidalı Köşe Bağ. Takoğu Screwed Corner Cleat	8 Ad. 8 Pcs.		B1110209 Ayarlı Kanat Rulman Sliding And Ad. Carriage	8 Ad. 8 Pcs.
	B3115215 Vidalı Köşe Bağ. Takoğu Screwed Corner Cleat	16 Ad. 16 Pcs.		B2310463 Orta Adaptör Kapağı Central End cap For Sash	1 Tk. 1 Set
	B2110494 45° Kanat Köşe Hizalama 45° Corner Alignment	32 Ad. 32 Pcs.		B461200X Fırça Fıtil Sealing Brush	2L+2H
	B2110404 45° Kanat Köşe Hizalama 45° Corner Alignment	32 Ad. 32 Pcs.		B471100X Fırça Fıtil TRI-FIN Sealing Brush TRI-FIN	16A+14B
	B5310303 Kasa Alt Tozluk Central Bottom Sealing	3 Ad. 3 Pcs.		B4210045 Sürme Kanat Conta TPE Sliding Sash Gasket TPE	16A+14B
	B5320310 Kasa Üst Tozluk Central Top Sealing	3 Ad. 3 Pcs.		B4310022 Ray Kapama Contası Gasket For Frame Rails	2L+4H
	B2310433 Kenetli Adap. Kap. Alt End Cap Bottom LR-3221, LR-3225, LR-3226	4 Ad. 4 Pcs.		Cam Kama Contası Wedge Gasket (Cam Tercihine Göre) (According To The Preferred Glass)	A-185 mm. 16 Ad./Pcs. B-185 mm. 16 Ad./Pcs.
	B2310434 Kenetli Adap. Kap. Üst End Cap Top LR-3221, LR-3225, LR-3226	4 Ad. 4 Pcs.		B5110366 Kanat Kenetle Plastiği Locking Adapter Plastic	B=4 Ad. B=4 Pcs.
	B2210424 Kanat Stoplama Adaptörü Sash Stoper Adapter	6 Ad. 6 Pcs.		B5110351 Kanal "U" Plastiği Plastic Cover For Frame	L-32 mm. 2 Ad./Pcs. H-32 mm. 2 Ad./Pcs.
	B2210426 Lastik Kanat Stoperi Rubber Stop For Sash	6 Ad. 6 Pcs.		B5611214 Paslanmaz Çelik Ray Stainless Steel Driver	L-90 mm. 2 Ad./Pcs.
	B2210497 Sallantı Engellyici Sash Spacer	8 Ad. 8 Pcs.			

45° Klasik Sürme
45° Classical SlideAlternatif Detay-1
Alternative Details-1Alternatif Detay-2
Alternative Details-2Ölçek: 1:2
Scale: 1:2

18.18 Detay
Details

				mm.	
Kasa Genişlik Frame Width	LR-3203			2 Ad. 2 Pcs.	L
Kasa Yükseklik Frame Height	LR-3203			2 Ad. 2 Pcs.	H
Kanat Genişlik Sash Width	LR-3217			2 Ad. 2 Pcs.	B=H-79
Kanat Yükseklik Sash Height	LR-3212			2 Ad. 2 Pcs.	A=L/2-183
Kenet Yükseklik Hook Profile Height	LR-3532			1 Ad. 1 Pcs.	H-35
Kenet Yükseklik Hook Profile Height	LR-3221			1 Ad. 1 Pcs.	H-73
Kenet Yükseklik Hook Profile Height	LR-3521			1 Ad. 1 Pcs.	H-73
Adaptör Profili Genişlik Adapter Profile Width	LR-3518			2 Ad. 2 Pcs.	L/2-70,3
Adaptör Profili Yükseklik Adapter Profile Height	LR-3519			1 Ad. 1 Pcs.	H-90
Çıta Profili Genişlik Glazing Bad Profile Width	LR-4532			2 Ad. 2 Pcs.	C=L/2-50
Çıta Profili Yükseklik Glazing Bad Profile Height	LR-4532			2 Ad. 2 Pcs.	D=H-85,4
Kanat Cam Genişlik Sash Glazing Width				1 Ad. 1 Pcs.	C1=L/2-149
Kanat Cam Yükseklik Sash Glazing Height				1 Ad. 1 Pcs.	D1=H-256
Sabit Cam Genişlik Fix Glazing Width				1 Ad. 1 Pcs.	E1=L/2-60
Sabit Cam Yükseklik Fix Glazing Height				1 Ad. 1 Pcs.	F1=H-54,4

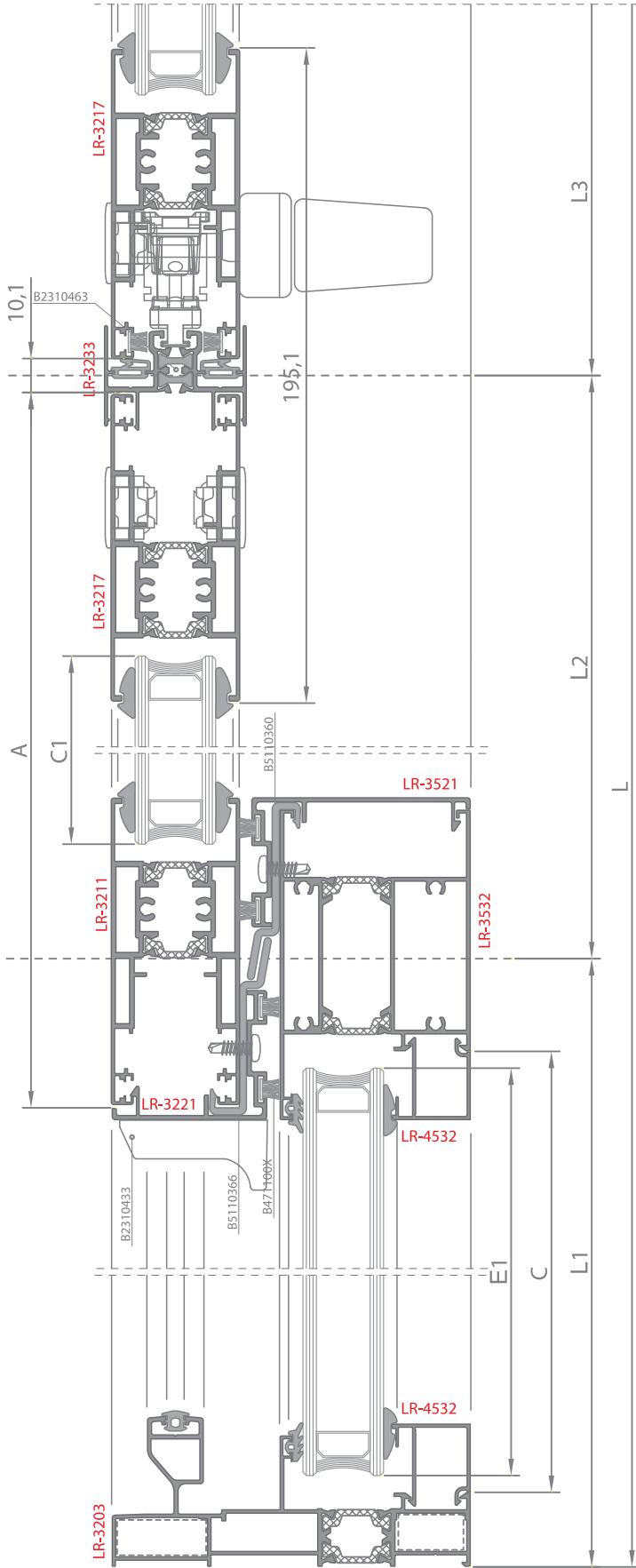
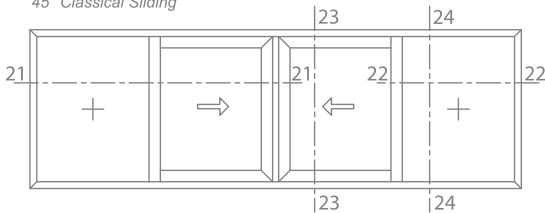
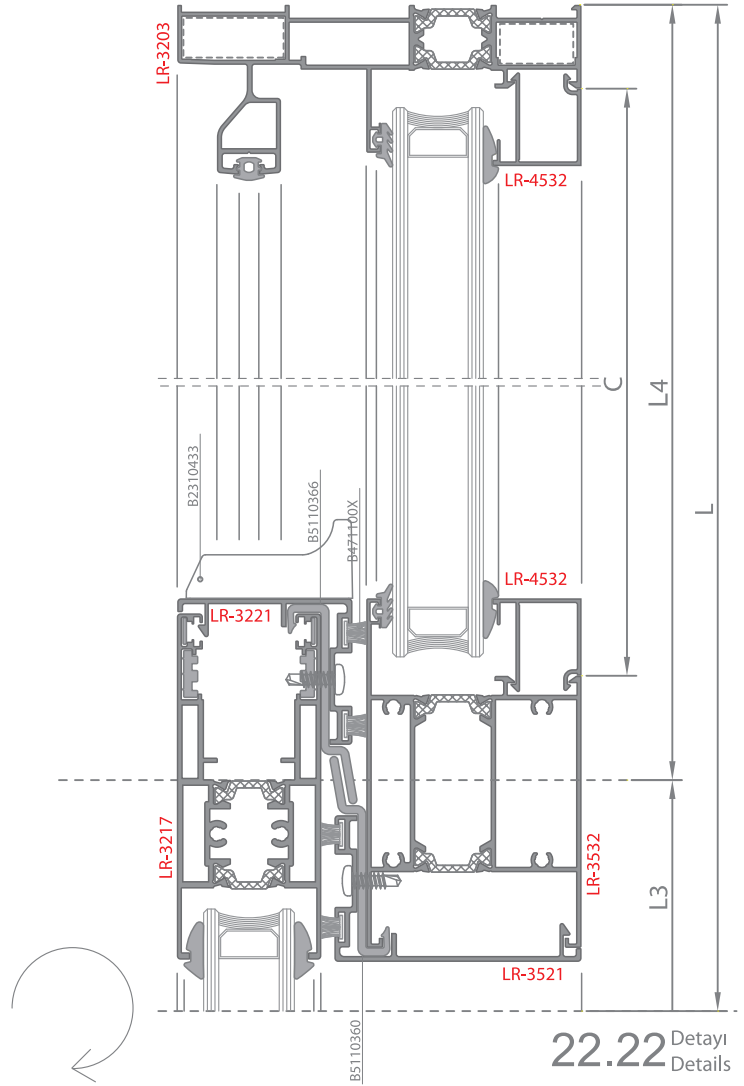
Ölçek: 1:2
Scale: 1:2

19.19 Detayı
Details20.20 Detayı
DetailsAlternatif Detay-1
Alternative Details-1Alternatif Detay-2
Alternative Details-2

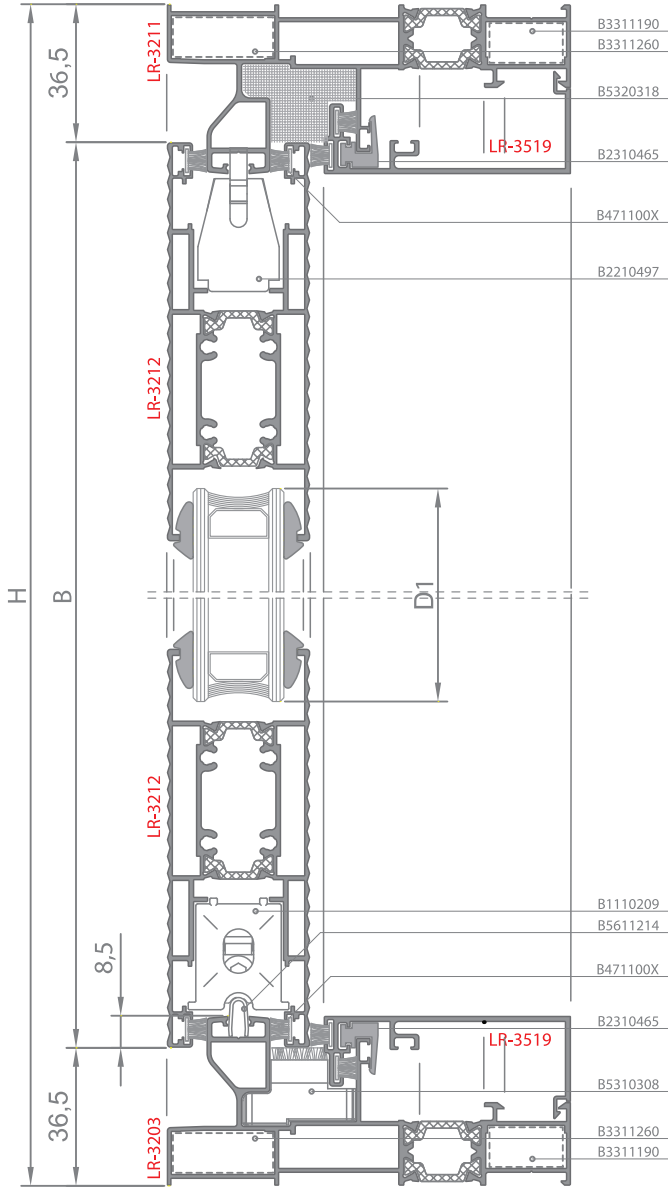
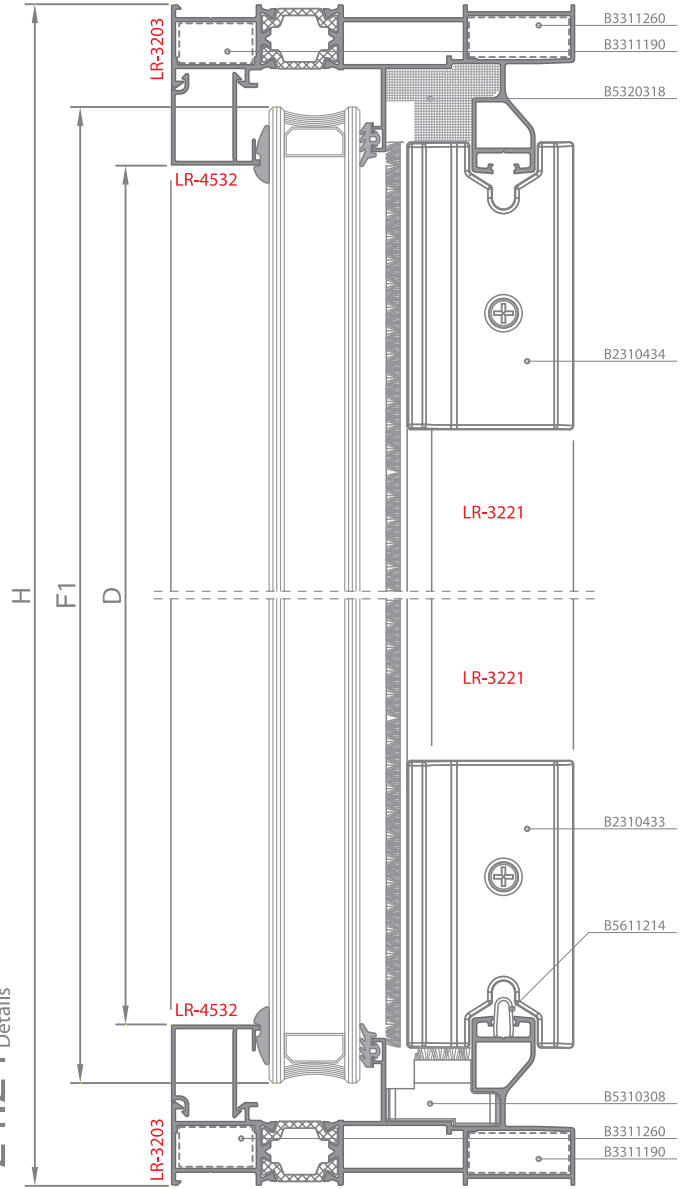
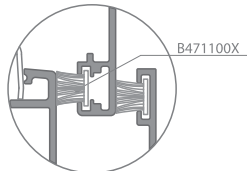
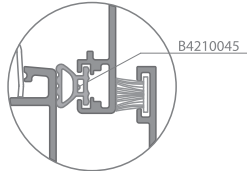
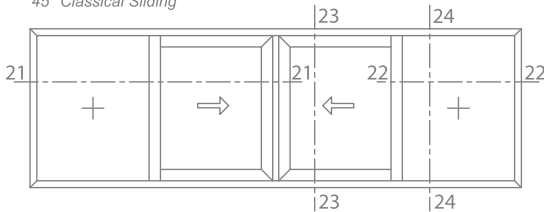
	B3311190 Vidalı Köşe Bağ. Takozu Screwed Corner Cleat	4 Ad. 4 Pcs.		B2210497 Sallantı Engelleyici Sash Spacer	2 Ad. 2 Pcs.	
	B3311260 Vidalı Köşe Bağ. Takozu Screwed Corner Cleat	4 Ad. 4 Pcs.		B1110209 Ayarlı Kanat Rulman Sliding And Ad. Carriage	2 Ad. 2 Pcs.	
	B2610418 90° Geniş Köşe Bağlantı 90° Wing Cor. Wide Joints	4 Ad. 4 Pcs.	Alternatif Detay Alternative Details		B471100X Fırça Fıtlı TRI-FIN Sealing Brush TRI-FIN	8A+8B
	B5310308 Kasa Alt Tozluk Central Bottom Sealing	1 Ad. 1 Pcs.			B4210045 Sürme Kanat Conta TPE Sliding Sash Gasket TPE	8A+8B
	B5320318 Kasa Üst Tozluk Central Top Sealing	1 Ad. 1 Pcs.		B4310022 Ray Kapama Contası Gasket For Frame Rails	1L+2H	
	B2310433 Kenetli Adap. Kap. Alt End Cap Bottom LR-3221, LR-3225, LR-3226	1 Ad. 1 Pcs.		B4210035 3 mm. Dış Cam Fıtlı 3 mm. Insulating Gasket	2C+2D	
	B2310434 Kenetli Adap. Kap. Üst End Cap Top LR-3221, LR-3225, LR-3226	1 Ad. 1 Pcs.		Cam Kama Contası Wedge Gasket (Cam Fırçasına Göre) (According To The Preferred Glass)	2C+2D 4xD1+4xC1	
	B2210424 Kanat Stoplama Adaptörü Sash Stoper Adapter	2 Ad. 2 Pcs.		B5110366 Kanat Kenetle Plastiği Locking Adapter Plastic	B=1 Ad. B=1 Pcs.	
	B2210426 Lastik Kanat Stoperi Rubber Stop For Sash	2 Ad. 2 Pcs.		B5110360 Kanat Kenetleme Plastiği Locking Adapter Plastic	B=1 Ad. B=1 Pcs.	
	B2310465 Tekli Kasa Kapak Klipsi Single Rail Adapter Clip	L1x2+H/150		B5611214 Paslanmaz Çelik Ray Stainless Steel Driver	L-90 mm. 1 Ad./Pcs.	

Ölçek: 1:2
Scale: 1:2

SAYFA 31

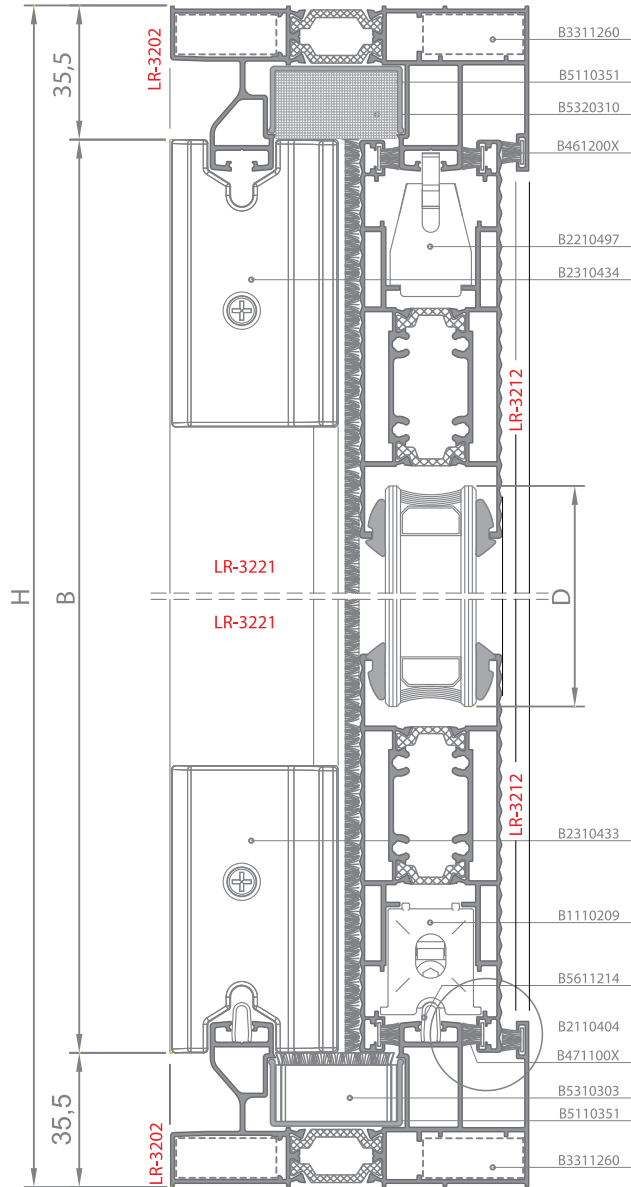
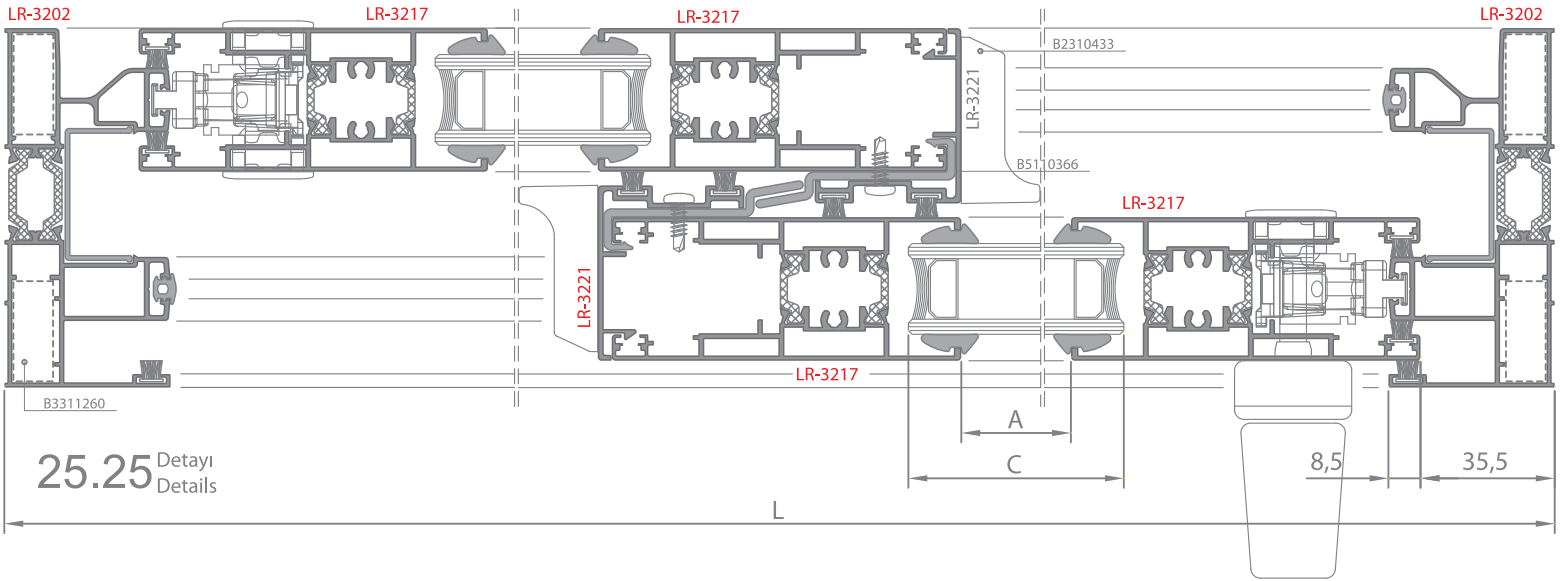
21.21 Detaylı
Details45° Klasik Sürme
45° Classical SlidingÖlçek: 1:2
Scale: 1:222.22 Detaylı
Details

Kasa Genişlik Frame Width	LR-3203			2 Ad. 2 Pcs.	L
Kasa Yükseklik Frame Height	LR-3203			2 Ad. 2 Pcs.	H
Kanat Genişlik Sash Width	LR-3217			4 Ad. 4 Pcs.	B=H-79
Kanat Yükseklik Sash Height	LR-3212			4 Ad. 4 Pcs.	A=L2-170
Kenet Yükseklik Hook Profile Height	LR-3532			2 Ad. 2 Pcs.	H-35
Kenet Yükseklik Hook Profile Height	LR-3221			2 Ad. 2 Pcs.	H-73
Kenet Yükseklik Hook Profile Height	LR-3521			2 Ad. 2 Pcs.	H-73
Adaptör Profili Genişlik Adapter Profile Width	LR-3518			2 Ad. 2 Pcs.	L2+L3-133
Orta Kilitleme Kanat Yükseklik Center Locking Sash Height	LR-3233			1 Ad. 1 Pcs.	H-113
Çıta Profili Genişlik Glazing Bad Profile Width	LR-4532			4 Ad. 4 Pcs.	E=L4-31,5
Çıta Profili Yükseklik Glazing Bad Profile Height	LR-4532			4 Ad. 4 Pcs.	F=H-85,4
Kanat Cam Genişlik Sash Glazing Width				2 Ad. 2 Pcs.	C1=L/4-118
Kanat Cam Yükseklik Sash Glazing Height				2 Ad. 2 Pcs.	D1=H-256
Sabit Cam Genişlik Fix Glazing Width				2 Ad. 2 Pcs.	E1=L4-41,5
Sabit Cam Yükseklik Fix Glazing Height				2 Ad. 2 Pcs.	F1=H-54,4

24.24 Detayı
Details23.23 Detayı
DetailsAlternatif Detay-1
Alternative Details-1Alternatif Detay-2
Alternative Details-245° Klasik Sürme
45° Classical Sliding

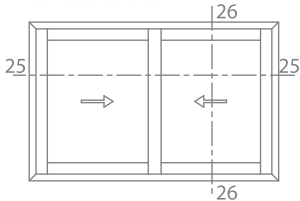
	B3311190 Vidalı Köşe Bağ. Takozu Screwed Corner Cleat	4 Ad. 4 Pcs.		B2210497 Sallantı Engellyici Sash Spacer	4 Ad. 4 Pcs.	
	B3311260 Vidalı Köşe Bağ. Takozu Screwed Corner Cleat	4 Ad. 4 Pcs.		B1110209 Ayarlı Kanat Rulman Sliding And Ad. Carriage	4 Ad. 4 Pcs.	
	B2610418 90° Geniş Köşe Bağlantı 90° Wing Cor. Wide Joints	8 Ad. 8 Pcs.	Alternatif Detay Alternative Details		B471100X Fırça Fıtlı TRI-FIN Sealing Brush TRI-FIN	16A+10B
	B5310308 Kasa Alt Tozluk Central Bottom Sealing	3 Ad. 3 Pcs.			B4210045 Sürme Kanat Conta TPE Sliding Sash Gasket TPE	16A+10B
	B5320318 Kasa Üst Tozluk Central Top Sealing	3 Ad. 3 Pcs.		B4310022 Ray Kapama Contası Gasket For Frame Rails	1L+2H	
	B2310433 Kenetli Adap. Kap. Alt End Cap Bottom LR-3221, LR-3225, LR-3226	2 Ad. 2 Pcs.		B4210035 3 mm. Dış Cam Fıtlı 3 mm. Insulating Gasket	4C+4D	
	B2310434 Kenetli Adap. Kap. Üst End Cap Top LR-3221, LR-3225, LR-3226	2 Ad. 2 Pcs.		Cam Kama Contası Wedge Gasket (Cam Tercihine Göre) (According To The Preferred Glass)	4C+4D 8xD1+8xC1	
	B2210424 Kanat Stoplama Adaptörü Sash Stoper Adapter	2 Ad. 2 Pcs.		B5110366 Kanat Kenetle Plastiği Locking Adapter Plastic	B=2Ad. B=2 Pcs.	
	B2210426 Lastik Kanat Stoperi Rubber Stop For Sash	2 Ad. 2 Pcs.		B5110360 Kanat Kenetleme Plastiği Locking Adapter Plastic	B=2 Ad. B=2 Pcs.	
	B2310464 Orta Adaptör Kapağı Central End cap For Sash	1 Tk. 1 Set		B5611214 Paslanmaz Çelik Ray Stainless Steel Driver	L-90 mm. 1 Ad./Pcs.	
	B2310465 Tekli Kasa Kapak Klipsi Single Rail Adapter Clip	L2x2/150				

Ölçek: 1:2
Scale: 1:2 SAYFA 33

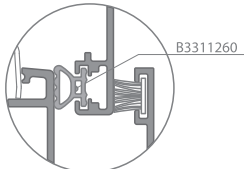


Kasa Genişlik Frame Width	LR-3201 LR-3202			2 Ad. 2 Pcs.	L
Kasa Yükseklik Frame Height	LR-3201 LR-3202			2 Ad. 2 Pcs.	H
Kanat Yükseklik Sash Height	LR-3217			4 Ad. 4 Pcs.	B=H-77
Baza Genişlik Sash Width	LR-3212 LR-3213			4 Ad. 4 Pcs.	A=L-364/2
Kenet Yükseklik Hook Profile Height	LR-3211			2 Ad. 2 Pcs.	H-71
Cam Genişlik Glazing Width				2 Ad. 2 Pcs.	C=L-296/2
Cam Yükseklik Glazing Height				2 Ad. 2 Pcs.	D=H-255

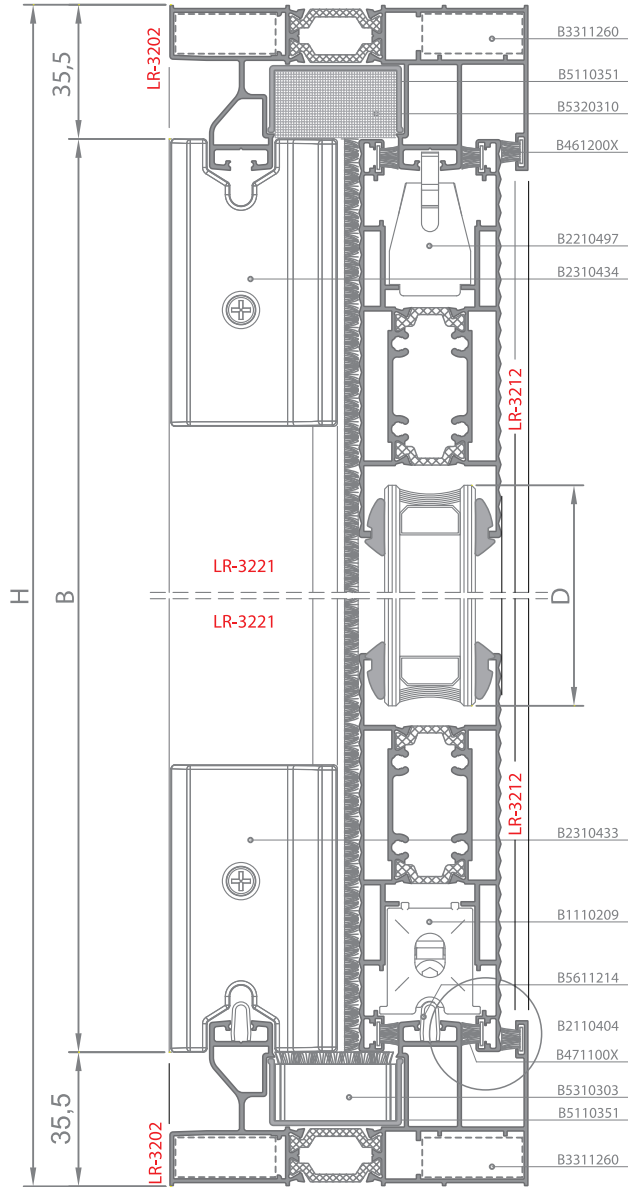
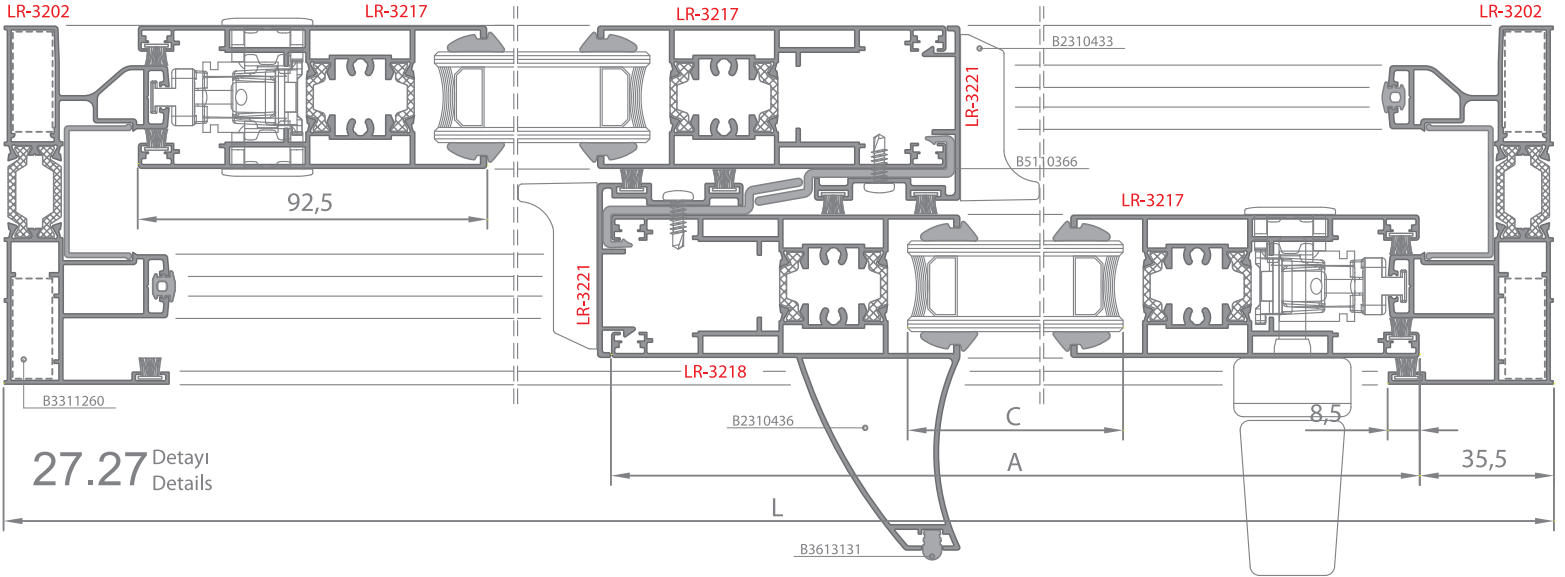
	B3311260 Vidalı Köşe Bağ. Takozu Screwed Corner Cleat	8 Ad. 8 Pcs.		B1110209 Ayarlı Kanat Rulman Sliding And Ad. Carriage	4 Ad. 4 Pcs.	
	B2610418 90° Geniş Köşe Bağlantı 90° Wing Cor. Wide Joints	8 Ad. 8 Pcs.		B461200X Fırça Fıtil Sealing Brush	2L+2H	
	B5310303 Kasa Alt Tozluk Central Bottom Sealing	1 Ad. 1 Pcs.	Alternatif Detay Alternative Details		B471100X Fırça Fıtil TRI-FIN Sealing Brush TRI-FIN	8A+8B
	B5320310 Kasa Üst Tozluk Central Top Sealing	1 Ad. 1 Pcs.			B4210045 Sürme Kanat Conta TPE Sliding Sash Gasket TPE	8A+8B
	B2310433 Kenetli Adap. Kap. Alt End Cap Bottom LR-3221, LR-3225, LR-3226	2 Ad. 2 Pcs.		B4310022 Ray Kapama Contası Gasket For Frame Rails	2L+4H	
	B2310434 Kenetli Adap. Kap. Üst End Cap Top LR-3221, LR-3225, LR-3226	2 Ad. 2 Pcs.		Cam Kama Contası Wedge Gasket (Cam Tercihine Göre) (According To The Preferred Glass)	A=8 Ad./Pcs. B=211 mm. 8 Ad./Pcs.	
	B2210424 Kanat Stoplama Adaptörü Sash Stoper Adapter	4 Ad. 4 Pcs.		B5110366 Kanat Kenetle Plastiği Locking Adapter Plastic	B=2 Ad. B=2 Pcs.	
	B2210426 Lastik Kanat Stoperi Rubber Stop For Sash	4 Ad. 4 Pcs.		B5110351 Kanal "U" Plastiği Plastic Cover For Frame	L=32 mm. 2 Ad./Pcs. H=32 mm. 2 Ad./Pcs.	
	B2210497 Sallantı Engelleyici Sash Spacer	4 Ad. 4 Pcs.		B5611214 Paslanmaz Çelik Ray Stainless Steel Driver	L=90 mm. 2 Ad./Pcs.	

90° Klasik Sürme
90° Classical Slide

26.26 Detay / Details

Alternatif Detay
Alternative DetailsÖlçek: 1:2
Scale: 1:2

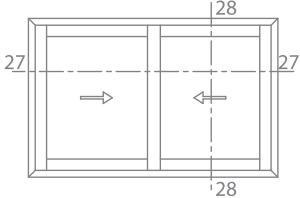
SAYFA 34



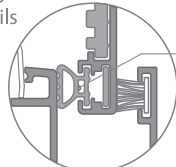
Kasa Genişlik Frame Width	LR-3201 LR-3202			2 Ad. 2 Pcs.	L
Kasa Yükseklik Frame Height	LR-3201 LR-3202			2 Ad. 2 Pcs.	H
Kanat Genişlik Sash Width	LR-3217			3 Ad. 3 Pcs.	B=H-77
Kanat Yükseklik Sash Height	LR-3212			4 Ad. 4 Pcs.	A=L-364/2
Kulplu Kanat Yükseklik Sash Height	LR-3218			1 Ad. 1 Pcs.	B=H-77
Kenet Yükseklik Hook Profile Height	LR-3211			2 Ad. 2 Pcs.	H-71
Cam Genişlik Glazing Width				2 Ad. 2 Pcs.	C=L-296/2
Cam Yükseklik Glazing Height				2 Ad. 2 Pcs.	D=H-255

	B3311260 Vidalı Köşe Bağ. Takozu Screwed Corner Cleat	8 Ad. 8 Pcs.		B1110209 Ayarlı Kanat Rulman Sliding And Ad. Carriage	4 Ad. 4 Pcs.	
	B2610418 90° Geniş Köşe Bağlantı 90° Wing Cor. Wide Joints	8 Ad. 8 Pcs.		B461200X Fırça Fıtlı Sealing Brush	2L+2H	
	B5310303 Kasa Alt Tozluk Central Bottom Sealing	1 Ad. 1 Pcs.	Alternatif Detay Alternative Details		B471100X Fırça Fıtlı TRI-FIN Sealing Brush TRI-FIN	8A+8B
	B5320310 Kasa Üst Tozluk Central Top Sealing	1 Ad. 1 Pcs.			B4210045 Sürme Kanat Conta TPE Sliding Sash Gasket TPE	8A+8B
	B2310433 Kenetli Adap. Kap. Alt End Cap Bottom LR-3221, LR-3225, LR-3226	2 Ad. 2 Pcs.		B4310022 Ray Kapama Contası Gasket For Frame Rails	2L+4H	
	B2310434 Kenetli Adap. Kap. Üst End Cap Top LR-3221, LR-3225, LR-3226	2 Ad. 2 Pcs.		Cam Kama Contası Wedge Gasket (Cam Terfihine Göre) (According To The Preferred Glass)	A-185 mm. 8 Ad./Pcs. B-185 mm. 8 Ad./Pcs.	
	B2210424 Kanat Stoplama Adaptörü Sash Stoper Adapter	4 Ad. 4 Pcs.		B5110366 Kanat Kenetle Plastij Locking Adapter Plastic	B=2 Ad. B=2 Pcs.	
	B2210426 Lastik Kanat Stoperi Rubber Stop For Sash	4 Ad. 4 Pcs.		B5110351 Kanal "U" Plastij Plastic Cover For Frame	L-32 mm. 2 Ad./Pcs. H-32 mm. 2 Ad./Pcs.	
	B2310436 90° Kertmeli Kulplu Kapak 90° Notched Sash End Cap	1 Tk. 1 Set.		B5611214 Paslanmaz Çelik Ray Stainless Steel Driver	L-90 mm. 2 Ad./Pcs.	
	B2210497 Sallantı Engelleyici Sash Spacer	4 Ad. 4 Pcs.		B3613131 Dekoratif Kulplu Çıtası Decorative Trim (Ral 3020)	H-165 mm. 1 Ad./Pcs.	

90° Klasik Sürme
90° Classical Slide

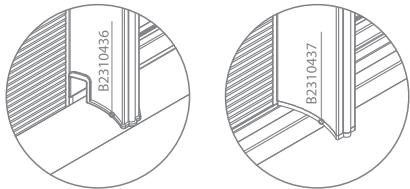
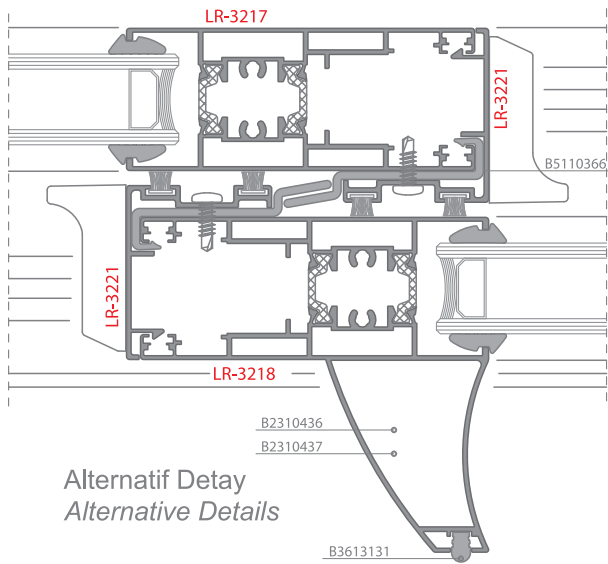
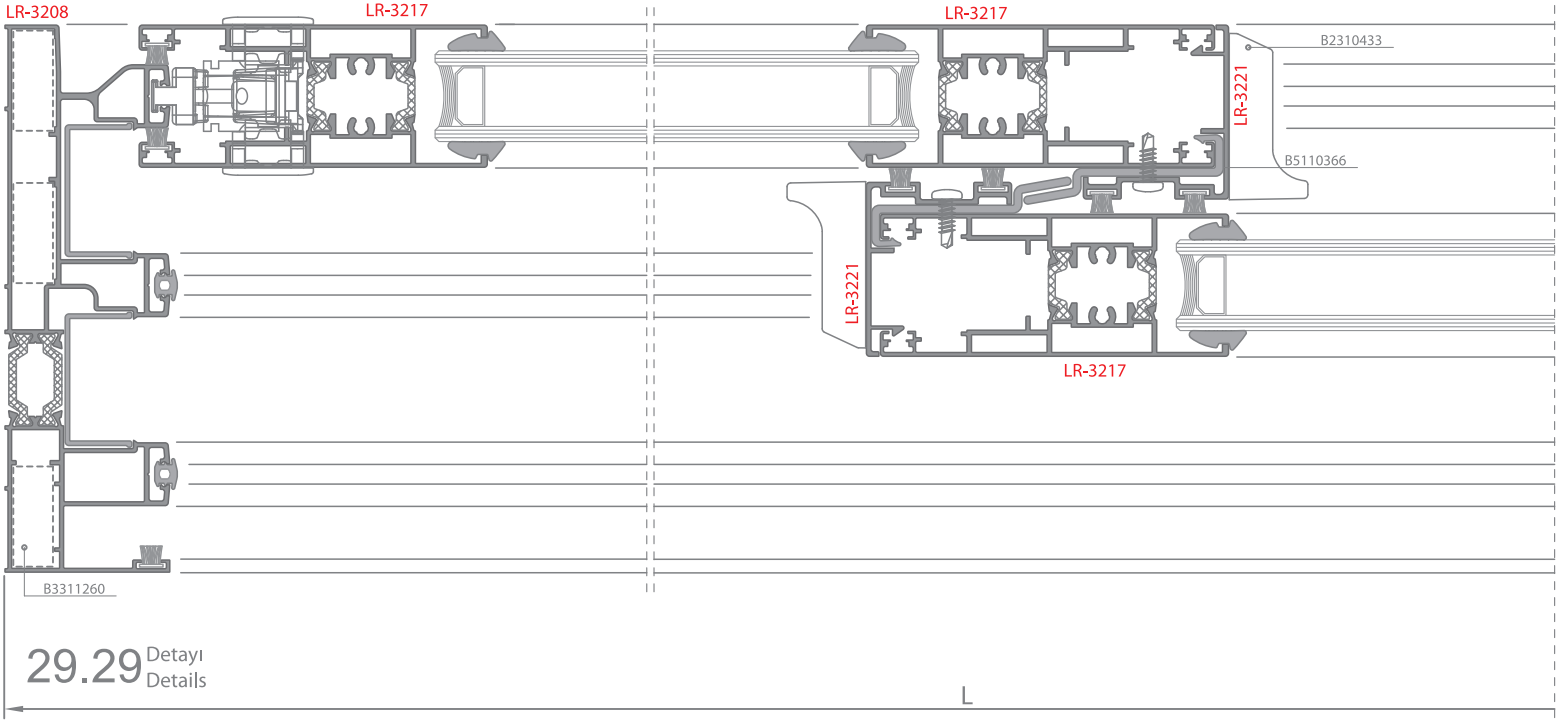


Alternatif Detay
Alternative Details



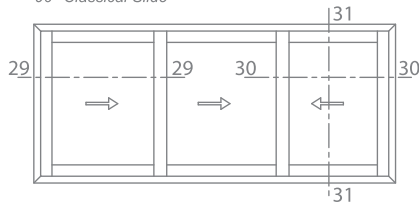
LR-3218 Kanat içeride ise B2310436 nolu kapak
LR-3218 sash used inside, cap is B2310436
LR-3218 Kanat dışarıda ise B2310437 nolu kapak
LR-3218 sash used outside, cap is B2310437

Ölçek: 1:2
Scale: 1:2
SAYFA 35

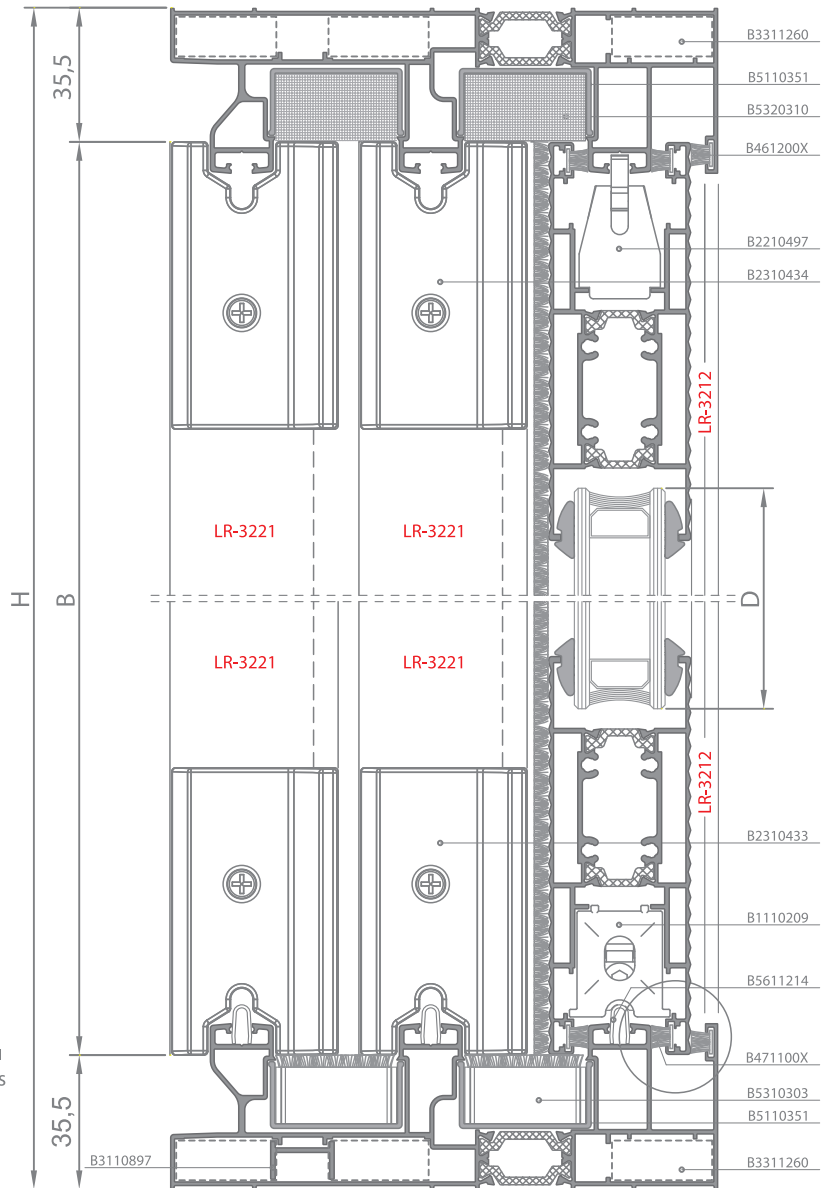


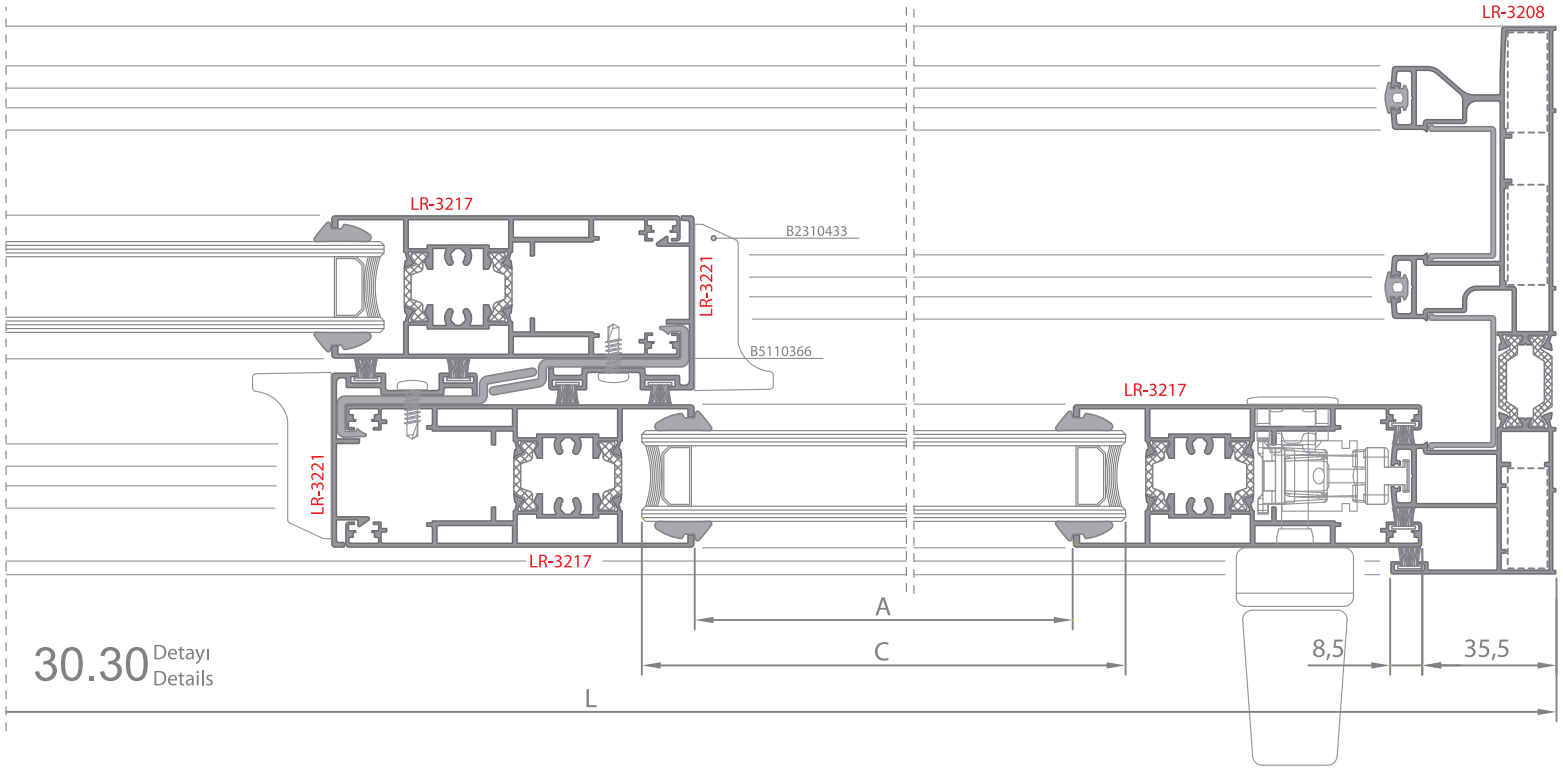
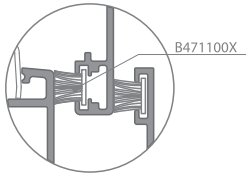
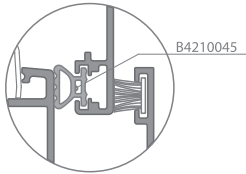
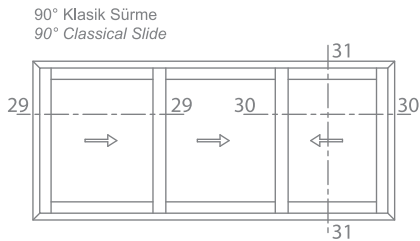
! LR-3218 Kanat içeride ise B2310436 nolu kapak
LR-3218 sash used inside, cap is B2310436
LR-3218 Kanat dışarıda ise B2310437 nolu kapak
LR-3218 sash used outside, cap is B2310437

90° Klasik Sürme
90° Classical Slide



Ölçek: 1:2
Scale: 1:2



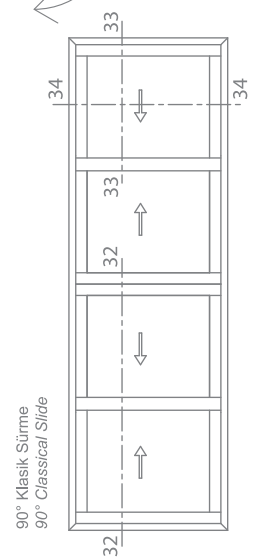
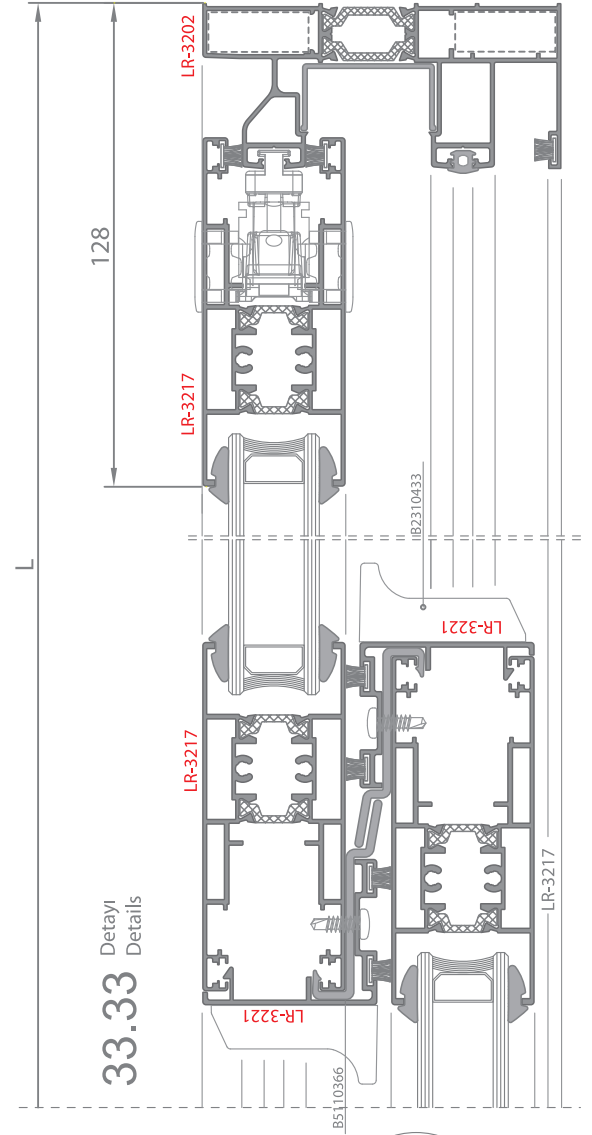
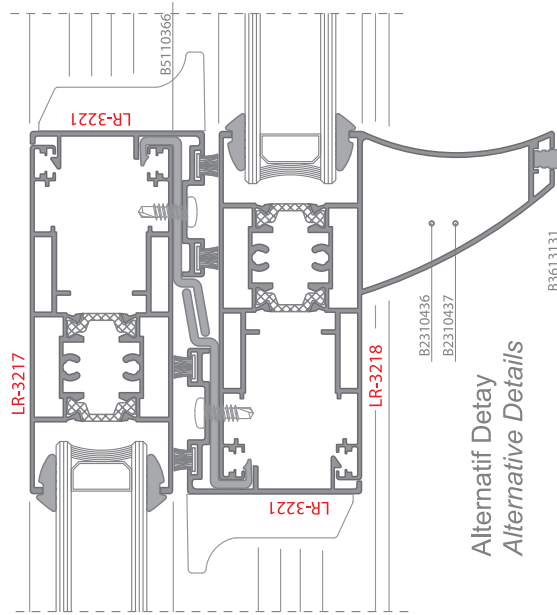
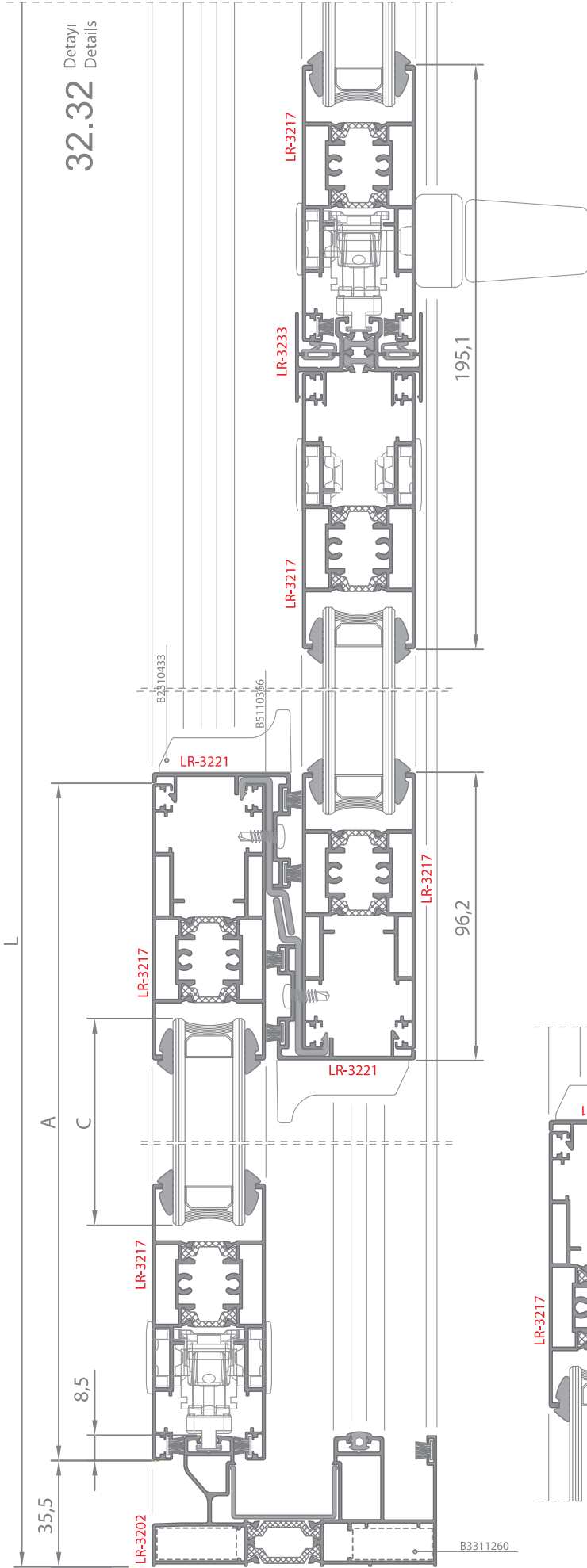
30.30 Detayı
DetailsAlternatif Detay-1
Alternative Details-1Alternatif Detay-2
Alternative Details-290° Klasik Sürme
90° Classical Slide

Kasa Genişlik Frame Width	LR-3207 LR-3208			2 Ad. 2 Pcs.	L
Kasa Yükseklik Frame Height	LR-3207 LR-3208			2 Ad. 2 Pcs.	H
Kanat Yükseklik Sash Height	LR-3217			6 Ad. 6 Pcs.	B=H-77
Baza Genişlik Sash Width	LR-3212 LR-3213			6 Ad. 6 Pcs.	A=L-466,4/3
Kenet Yükseklik Hook Profile Height	LR-3211			4 Ad. 4 Pcs.	H-71
Cam Genişlik Glazing Width				3 Ad. 3 Pcs.	C=L-364/3
Cam Yükseklik Glazing Height				3 Ad. 3 Pcs.	D=H-255

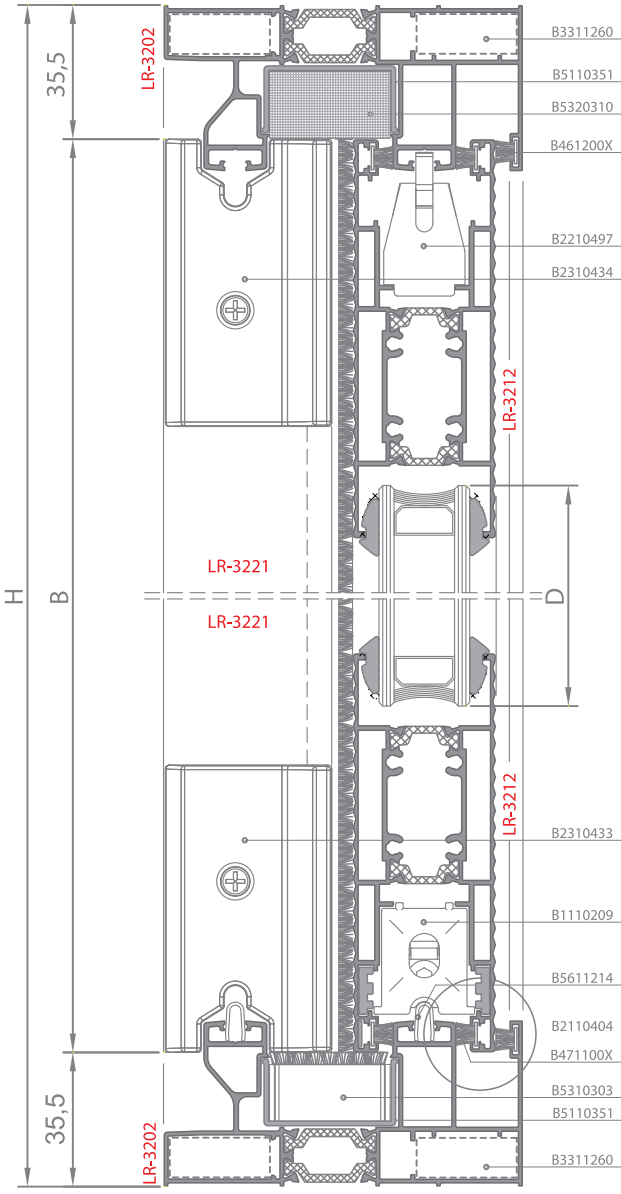
	B3311260 Vidalı Köşe Bağ. Takozu Screwed Corner Cleat	8 Ad. 8 Pcs.	Alternatif Detay Alternative Details		B461200X Fırça Fitol Sealing Brush	2L+2H
	B2610418 90° Geniş Köşe Bağlantı 90° Wing Cor. Wide Joints	12 Ad. 12 Pcs.			B471100X Fırça Fitol TRI-FIN Sealing Brush TRI-FIN	12A+12B
	B5310303 Kasa Alt Tozluk Central Bottom Sealing	2 Ad. 2 Pcs.			B4210045 Sürme Kanat Conta TPE Sliding Sash Contact TPE	12A+12B
	B5320310 Kasa Üst Tozluk Central Top Sealing	2 Ad. 2 Pcs.			B4310022 Ray Kapama Contası Gasket For Frame Rails	3L+6H
	B2310433 Kenetli Adap. Kap. Alt End Cap Bottom LR-3221, LR-3225, LR-3226	4 Ad. 4 Pcs.			Cam Kama Contası Wedge Gasket (Cam Tercihine Göre) (According To The Preferred Glass)	A=12 Ad./Pcs B-211 mm. 12 Ad./Pcs.
	B2310434 Kenetli Adap. Kap. Üst End Cap Top LR-3221, LR-3225, LR-3226	4 Ad. 4 Pcs.			B5110366 Kanat Kenetle Plastiği Locking Adapter Plastic	B=4 Ad. B=4 Pcs.
	B2210424 Kanat Stoplama Adaptörü Sash Stoper Adapter	4 Ad. 4 Pcs.			B5110351 Kanal "U" Plastiği Plastic Cover For Frame	L-32 mm. 4 Ad./Pcs H-32 mm. 4 Ad./Pcs
	B2210426 Lastik Kanat Stoperi Rubber Stop For Sash	4 Ad. 4 Pcs.			B5611214 Paslanmaz Çelik Ray Stainless Steel Driver	L-90 mm. 3 Ad./Pcs.
	B2210497 Sallantı Engellyici Sash Spacer	6 Ad. 6 Pcs.			B3110897 Kasa Destek Profili Support Profile	L-50 mm. 1 Ad./Pcs.
	B1110209 Ayarlı Kanat Rulman Sliding And Ad. Carriage	6 Ad. 6 Pcs.				

Ölçek: 1:2
Scale: 1:2

SAYFA 37

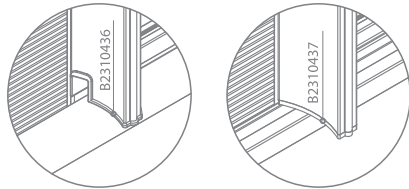


Ölçek: 1:2
Scale: 1:2

34.34 Detayı
Details

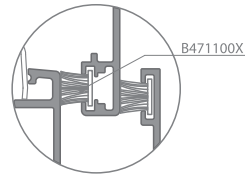
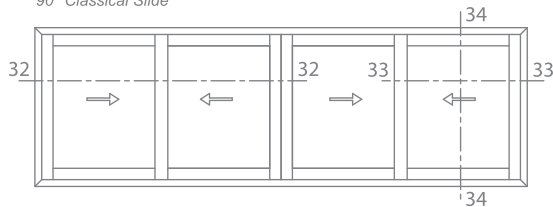
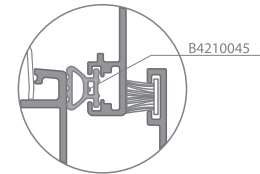
Kasa Genişlik Frame Width	LR-3201 LR-3202			2 Ad. 2 Pcs.	L
Kasa Yükseklik Frame Height	LR-3201 LR-3202			2 Ad. 2 Pcs.	H
Kanat Yükseklik Sash Height	LR-3217			8 Ad. 8 Pcs.	B=H-77
Baza Genişlik Sash Width	LR-3212 LR-3213			8 Ad. 8 Pcs.	A=L-667,5/4
Orta Kilitleme Kanat Yükseklik Center Locking Sash Height	LR-3233			1 Ad. 1 Pcs.	H-111
Kenet Yükseklik Hook Profile Height	LR-3211			4 Ad. 4 Pcs.	H-71
Cam Genişlik Glazing Width				4 Ad. 4 Pcs.	C=L-531/4
Cam Yükseklik Glazing Height				4 Ad. 4 Pcs.	D=H-255

	B3311260 Vidalı Köşe Bağ. Takozu Screwed Corner Cleat	8 Ad. 8 Pcs.		B2310463 Orta Adaptör Kapağı Central End cap For Sash	1 Tk. 1 Set	
	B2610418 90° Geniş Köşe Bağlantı 90° Wing Cor. Wide Joints	16 Ad. 16 Pcs.		B461200X Fırça Filti Sealing Brush	2L+2H	
	B5310303 Kasa Altı Tozluk Central Bottom Sealing	3 Ad. 3 Pcs.	Alternatif Detay Alternative Details		B471100X Fırça Filti TRI-FIN Sealing Brush TRI-FIN	16A+14B
	B5320310 Kasa Üst Tozluk Central Top Sealing	3 Ad. 3 Pcs.			B4210045 Sürme Kanat Conta TPE Sliding Sash Gasket TPE	16A+14B
	B2310433 Kenetli Adap. Kap. Alt End Cap Bottom LR-3221, LR-3225, LR-3226	4 Ad. 4 Pcs.		B4310022 Ray Kapama Contası Gasket For Frame Rails	2L+4H	
	B2310434 Kenetli Adap. Kap. Üst End Cap Top LR-3221, LR-3225, LR-3226	4 Ad. 4 Pcs.		Cam Kama Contası Wedge Gasket (Cam Tercihine Göre) (According To The Preferred Glass)	A=16 Ad./Pcs B=211 mm. 16 Ad./Pcs.	
	B2210424 Kanat Stoplama Adaptörü Sash Stoper Adapter	6 Ad. 6 Pcs.		B5110366 Kanat Kenetle Plastiği Locking Adapter Plastic	B=4 Ad. B=4 Pcs.	
	B2210426 Lastik Kanat Stoperi Rubber Stop For Sash	6 Ad. 6 Pcs.		B5110351 Kanal "U" Plastiği Plastic Cover For Frame	L-32 mm. 2 Ad./Pcs H-32 mm. 2 Ad./Pcs	
	B2210497 Sallantı Engellyici Sash Spacer	8 Ad. 8 Pcs.		B5611214 Paslanmaz Çelik Ray Stainless Steel Driver	L-90 mm. 2 Ad./Pcs.	
	B1110209 Ayarlı Kanat Rulman Sliding And Ad. Carriage	8 Ad. 8 Pcs.				

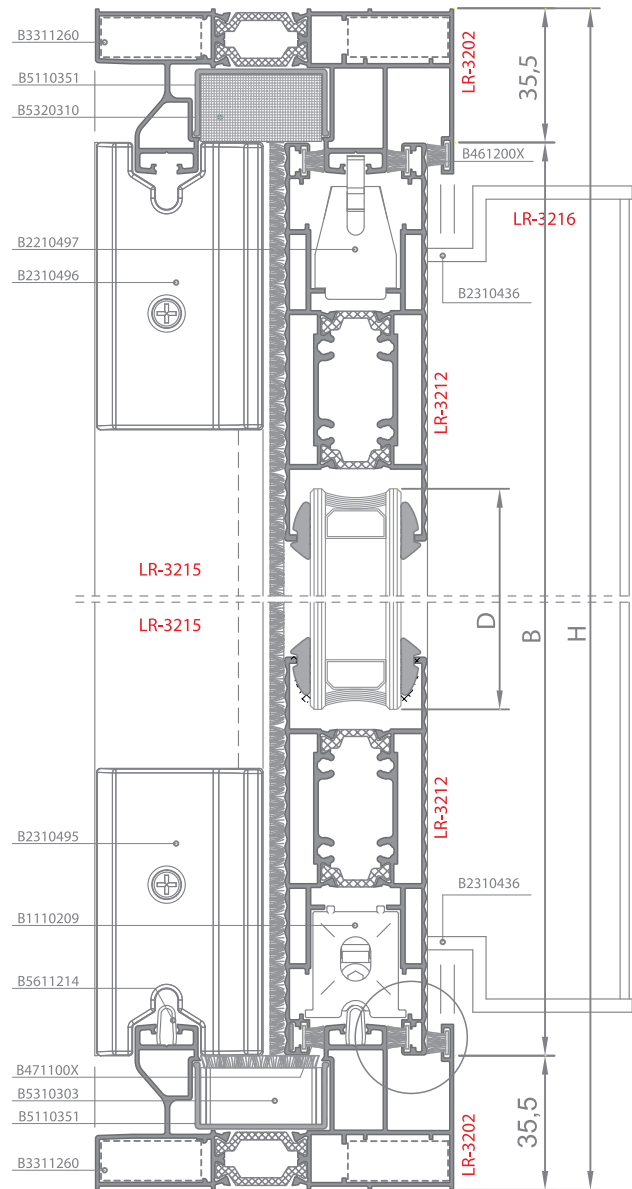
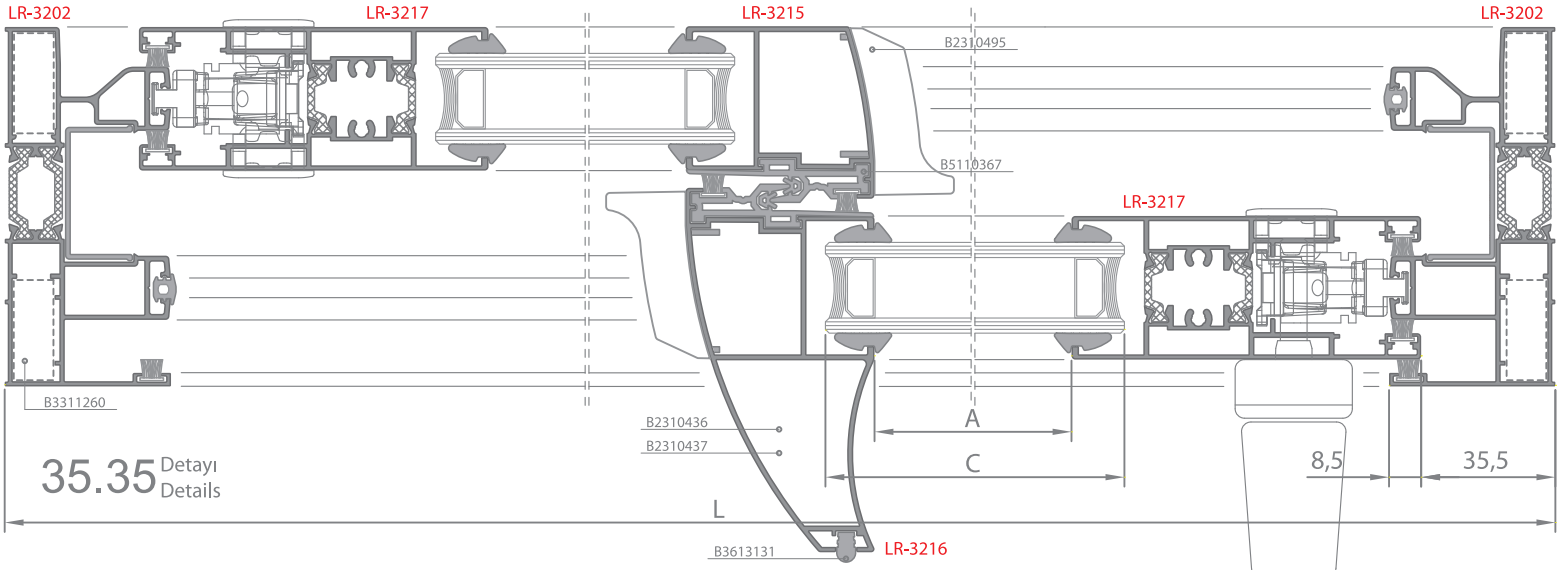
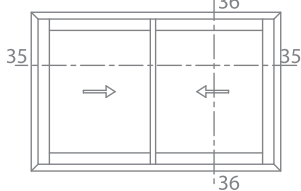


! LR-3218 Kanat içeride ise B2310436 nolu kapak
LR-3218 sash used inside, cap is B2310436
LR-3218 Kanat dışarıda ise B2310437 nolu kapak
LR-3218 sash used outside, cap is B2310437

90° Klasik Sürme
90° Classical Slide

Alternatif Detay-1
Alternative Details-1Alternatif Detay-2
Alternative Details-2

Ölçek: 1:2
Scale: 1:2

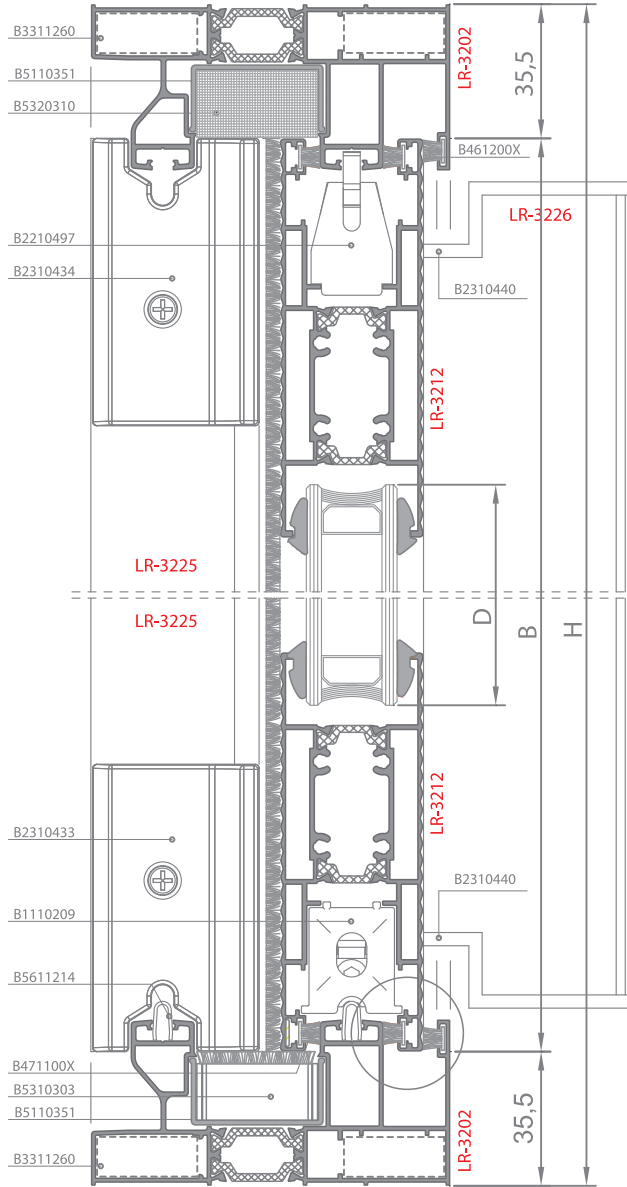
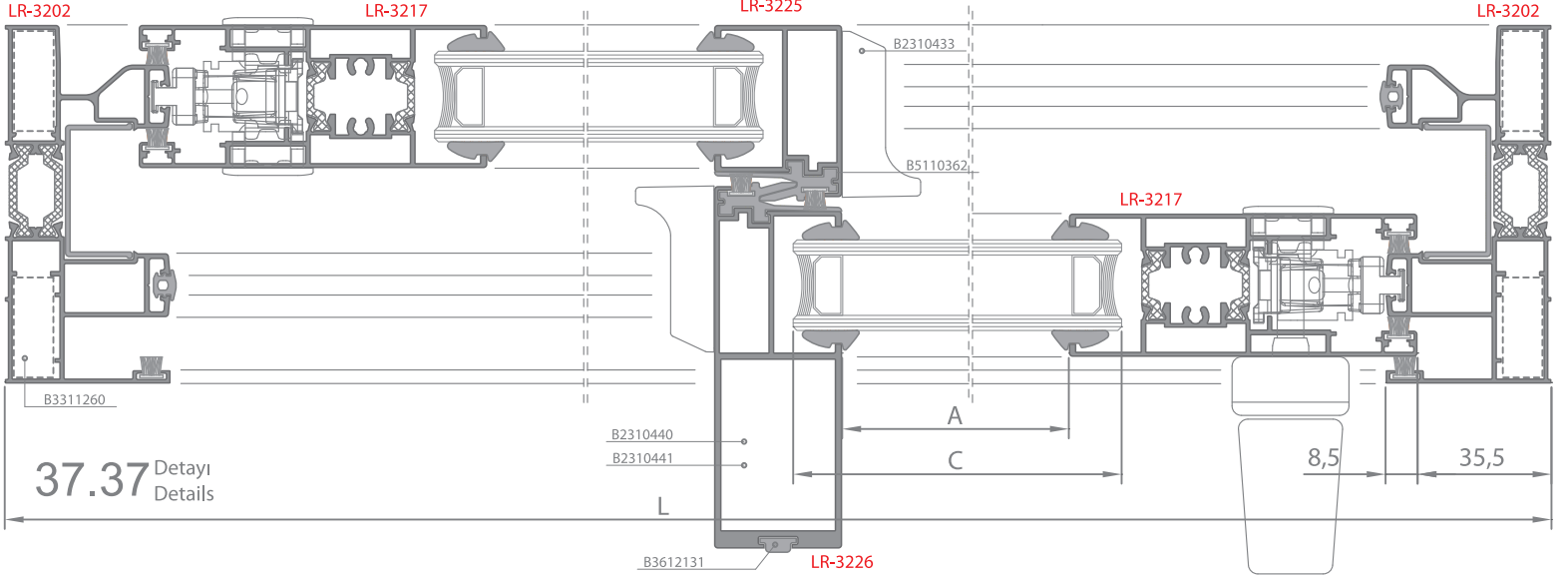
36.36 Detaylı
Details90° Klasik Sürme
90° Classical SlideAlternatif Detay
Alternative Details

LR-3218 Kanat içeride ise B2310436 nolu kapak
LR-3218 sash used inside, cap is B2310436
LR-3218 Kanat dışarıda ise B2310437 nolu kapak
LR-3218 sash used outside, cap is B2310437

Kasa Genişlik Frame Width	LR-3201 LR-3202			2 Ad. 2 Pcs.	L
Kasa Yükseklik Frame Height	LR-3201 LR-3202			2 Ad. 2 Pcs.	H
Kanat Yükseklik Sash Height	LR-3217			2 Ad. 2 Pcs.	B=H-77
Baza Genişlik Sash Width	LR-3212 LR-3213			4 Ad. 4 Pcs.	A=L-318/2
Kenetli Kanat Yükseklik Vent Profile Height	LR-3215			1 Ad. 1 Pcs.	H-77
Kenetli Kanat Yükseklik Vent Profile Height	LR-3216			1 Ad. 1 Pcs.	H-77
Cam Genişlik Glazing Width				2 Ad. 2 Pcs.	C=L-252/2
Cam Yükseklik Glazing Height				2 Ad. 2 Pcs.	D=H-255

	B3311260 Vidalalı Köşe Bağ. Takozu Screwed Corner Cleat	8 Ad. 8 Pcs.		B2210497 Sallantı Engelleyici Sash Spacer	4 Ad. 4 Pcs.
	B2610418 90° Geniş Köşe Bağlantı 90° Wing Cor. Wide Joints	4 Ad. 4 Pcs.		B1110209 Ayarlı Kanat Rulman Sliding And Ad. Carriage	4 Ad. 4 Pcs.
	B2610419 90° Dar Köşe Bağlantı 90° Wing Cor. Narrow Joints	4 Ad. 4 Pcs.		B2310436 90° Kertmeli Kulp Kapak 90° Notched Sash End Cap	1 Tk. 1 Set.
	B5310303 Kasa Alt Tozluk Central Bottom Sealing	1 Ad. 1 Pcs.		B461200X Fırça Fitol Sealing Brush	2L+2H
	B5320310 Kasa Üst Tozluk Central Top Sealing	1 Ad. 1 Pcs.	Alternatif Detay Alternative Details	B471100X Fırça Fitol TRI-FIN Sealing Brush TRI-FIN	8A+6B
	B2310495 Adaptör Kap. Alt End Cap Bottom LR-3215, LR-3216	2 Ad. 2 Pcs.		B4210045 Sürme Kanat Conta TPE Sliding Sash Gasket TPE	8A+6B
	B2310496 Adaptör Kap. Üst End Cap Top LR-3215, LR-3216	2 Ad. 2 Pcs.		B4310022 Ray Kapama Contası Gasket For Frame Rails	2L+4H
	B2210424 Kanat Stoplama Adaptörü Sash Stoper Adapter	4 Ad. 4 Pcs.		Cam Kama Contası Wedge Gasket (Cam Tercihine Göre) (According To The Preferred Glass)	A=8 Ad./Pcs. B-211 mm. 8 Ad./Pcs.
	B2210426 Lastik Kanat Stoperi Rubber Stop For Sash	4 Ad. 4 Pcs.		B5110367 Kanat Kenetleme Plastiği Locking Adapter Plastic	B=2 Ad. B=2 Pcs.

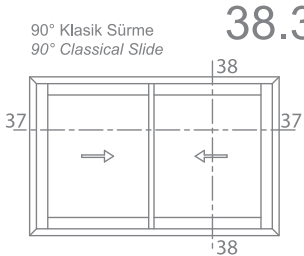
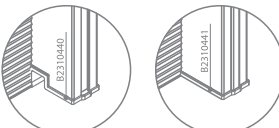
Ölçek: 1:2
Scale: 1:2



Kasa Genişlik Frame Width	LR-3201 LR-3202			2 Ad. 2 Pcs.	L
Kasa Yükseklik Frame Height	LR-3201 LR-3202			2 Ad. 2 Pcs.	H
Kanat Yükseklik Sash Height	LR-3217			2 Ad. 2 Pcs.	B=H-77
Baza Genişlik Sash Width	LR-3212 LR-3213			4 Ad. 4 Pcs.	A=L-302/2
Kenetli Kanat Yükseklik Vent Profile Height	LR-3225			1 Ad. 1 Pcs.	H-77
Kenetli Kanat Yükseklik Vent Profile Height	LR-3226			1 Ad. 1 Pcs.	H-77
Cam Genişlik Glazing Width				2 Ad. 2 Pcs.	C=L-236/2
Cam Yükseklik Glazing Height				2 Ad. 2 Pcs.	D=H-255

	B3311260 Vidalalı Köşe Bağ. Takozu Screwed Corner Cleat	8 Ad. 8 Pcs.		B2210497 Sallantı Engellyici Sash Spacer	4 Ad. 4 Pcs.
	B2610418 90° Geniş Köşe Bağlantı 90° Wing Cor. Wide Joints	4 Ad. 4 Pcs.		B1110209 Ayarlı Kanat Rulman Sliding And Ad. Carriage	4 Ad. 4 Pcs.
	B2610419 90° Dar Köşe Bağlantı 90° Wing Cor. Narrow Joints	4 Ad. 4 Pcs.		B2310440 90° Kertmeli Kulp Kapak 90° Notched Sash End Cap	1 Tk. 1 Set.
	B5310303 Kasa Alt Tozluk Central Bottom Sealing	1 Ad. 1 Pcs.		B461200X Fırça Fıtil Sealing Brush	2L+2H
	B5320310 Kasa Üst Tozluk Central Top Sealing	1 Ad. 1 Pcs.		B471100X Fırça Fıtil TRI-FIN Sealing Brush TRI-FIN	8A+6B
	B2310433 Kenetli Adap. Kap. Alt End Cap Bottom LR-3221, LR-3225, LR-3226	2 Ad. 2 Pcs.		B4210045 Sürme Kanat Conta TPE Sliding Sash Gasket TPE	8A+6B
	B2310434 Kenetli Adap. Kap. Üst End Cap Top LR-3221, LR-3225, LR-3226	2 Ad. 2 Pcs.		B4310022 Ray Kapama Contası Gasket For Frame Rails	2L+4H
	B2210424 Kanat Stoplama Adaptörü Sash Stoper Adapter	4 Ad. 4 Pcs.		Cam Kama Contası Wedge Gasket (Cam Tercihine Göre) (According To The Preferred Glass)	A=8 Ad./Pcs B=211 mm. 8 Ad./Pcs.
	B2210426 Lastik Kanat Stoperi Rubber Stop For Sash	4 Ad. 4 Pcs.		B5110362 Kanat Kenelle Plastik Locking Adapter Plastic	B=2 Ad. B=2 Pcs.

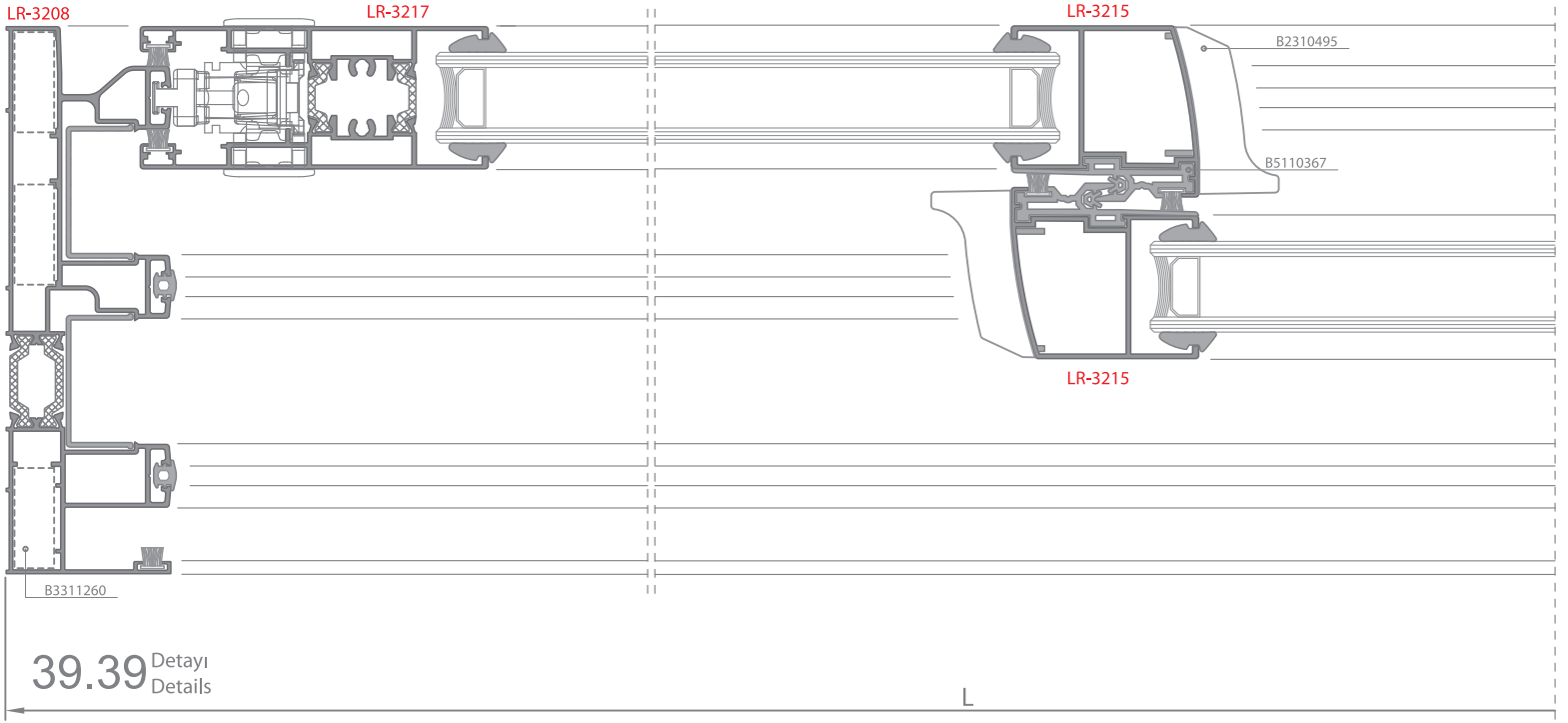
	B5110351 Kanal "U" Plastik Plastic Cover For Frame	L-32 mm. 2 Ad./Pcs H-32 mm. 2 Ad./Pcs
	B5611214 Paslanmaz Çelik Ray Stainless Stell Driver	L-90 mm. 2 Ad./Pcs.
	B3612131 Dekoratif Kulp Çıtası Decorative Trim (Ral 3020)	H-98 mm. 1 Ad./Pcs.

Alternatif Detay
Alternative Details

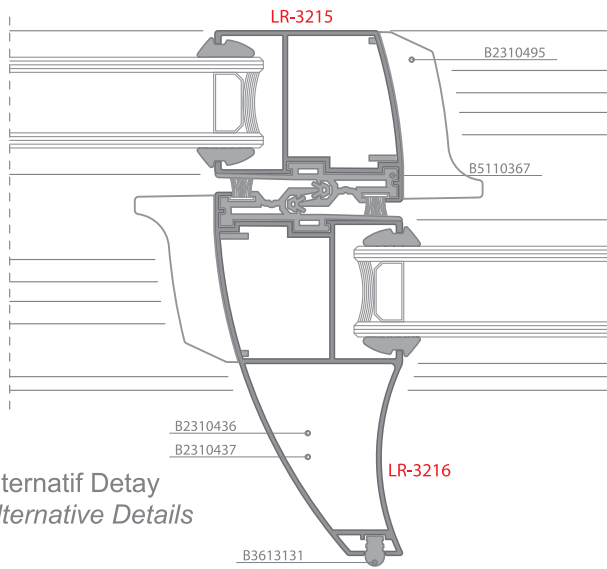
37.37 Detaylı Alternatif Detay

LR-3226 Kanat içeride ise B2310440 nolu kapak
LR-3226 sash used inside, cap is B2310440
LR-3226 Kanat dışarıda ise B2310441 nolu kapak
LR-3226 sash used outside, cap is B2310441

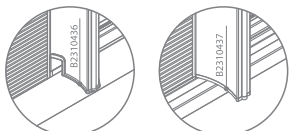
Ölçek: 1:2
Scale: 1:2



39.39 Detay / Details



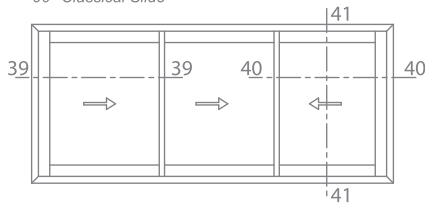
Alternatif Detay / Alternative Details



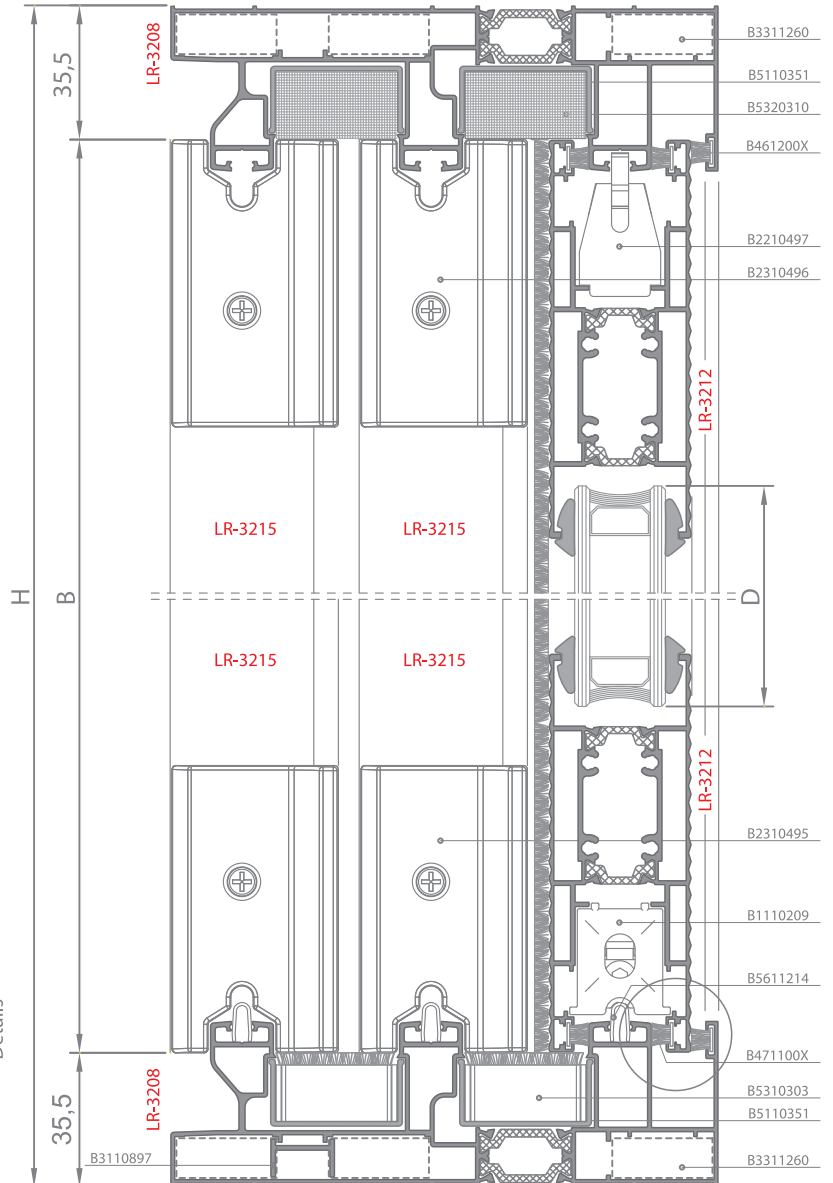
LR-3218 Kanat içeride ise B2310436 nolu kapak
LR-3218 sash used inside, cap is B2310436
LR-3218 Kanat dışarıda ise B2310437 nolu kapak
LR-3218 sash used outside, cap is B2310437



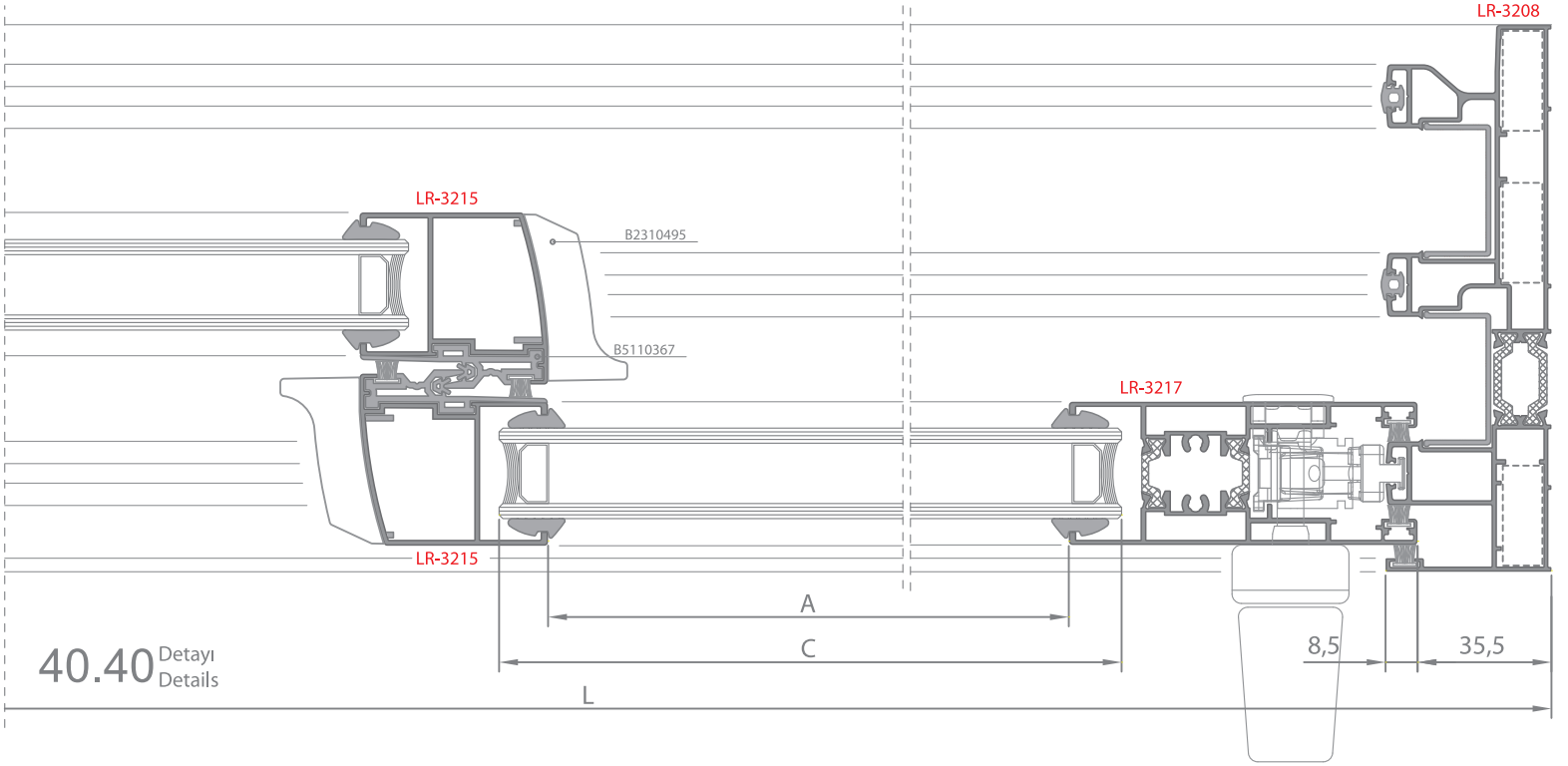
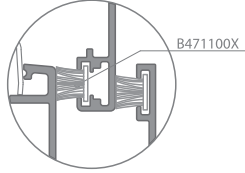
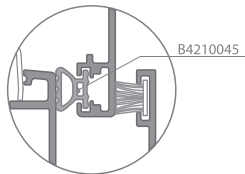
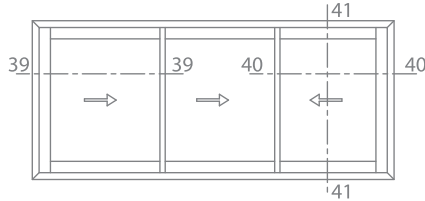
90° Klasik Sürme
90° Classical Slide



41.41 Detay / Details

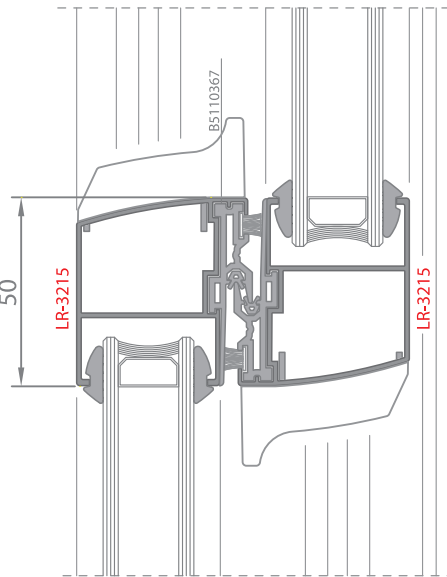
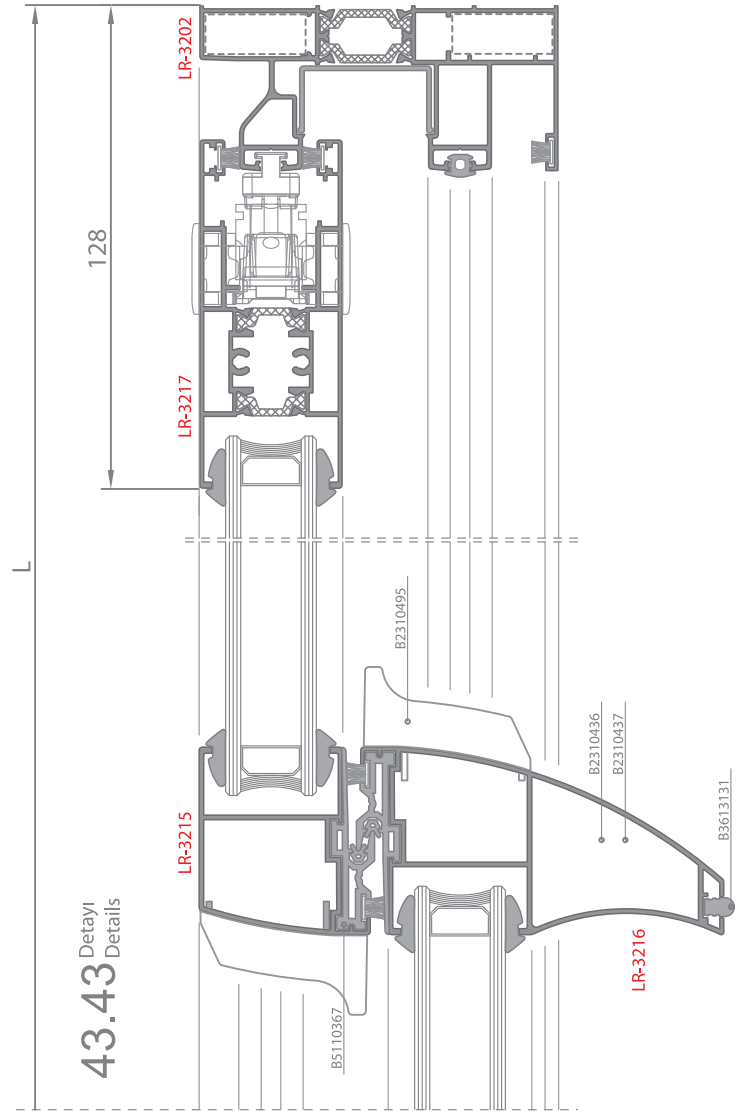
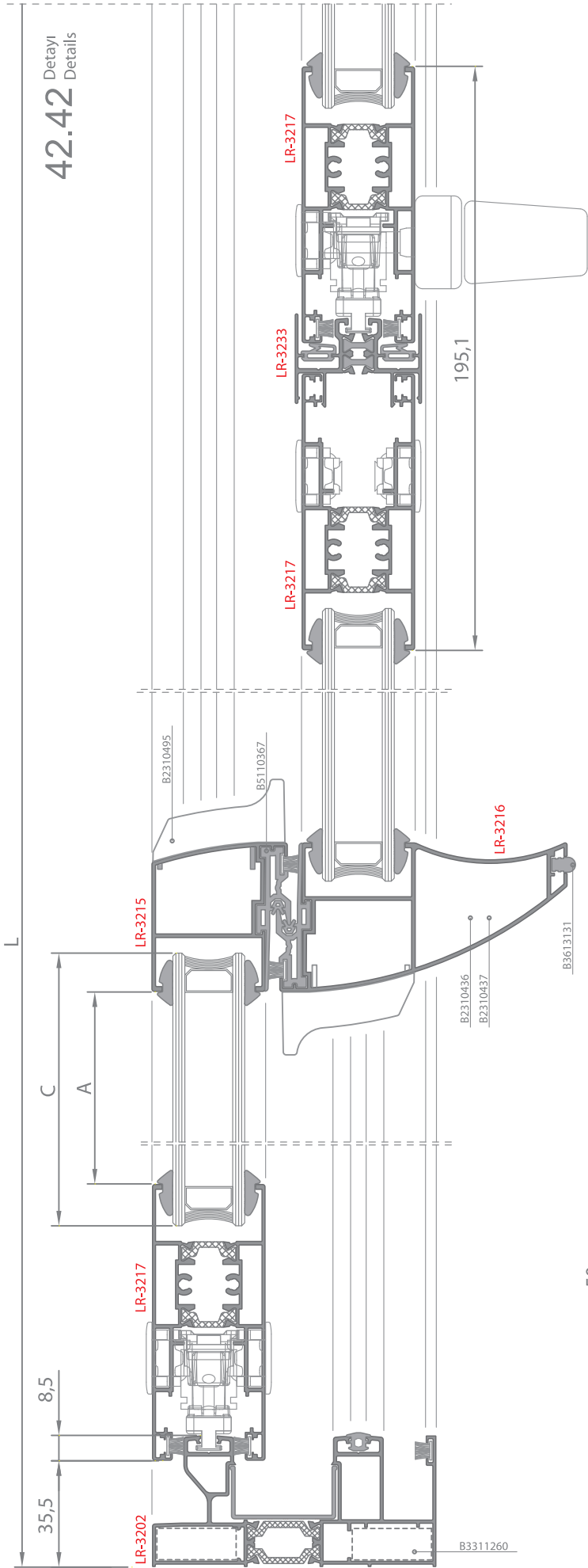


Ölçek: 1:2
Scale: 1:2

40.40 Detay
DetailsAlternatif Detay-1
Alternative Details-1Alternatif Detay-2
Alternative Details-290° Klasik Sürme
90° Classical SlideÖlçek: 1:2
Scale: 1:2

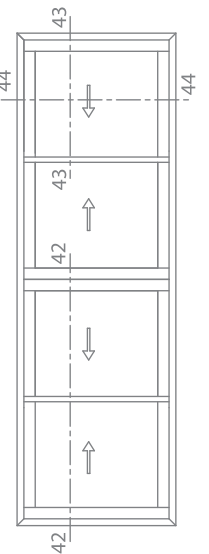
Kasa Genişlik Frame Width	LR-3207 LR-3208			2 Ad. 2 Pcs.	L
Kasa Yükseklik Frame Height	LR-3207 LR-3208			2 Ad. 2 Pcs.	H
Kanat Yükseklik Sash Height	LR-3217			2 Ad. 2 Pcs.	B=H-77
Baza Genişlik Sash Width	LR-3212 LR-3213			6 Ad. 6 Pcs.	A=L-374/3
Kenetli Kanat Yükseklik Vent Profile Height	LR-3215			4 Ad. 4 Pcs.	H-77
Cam Genişlik Glazing Width				3 Ad. 3 Pcs.	C=L-275/3
Cam Yükseklik Glazing Height				3 Ad. 3 Pcs.	D=H-255

	B3311260 Vidalı Köşe Bağ. Takozu Screwed Corner Cleat	8 Ad. 8 Pcs.	Alternatif Detay Alternative Details		B1110209 Ayarlı Kanat Rulman Sliding And Ad. Carriage	6 Ad. 6 Pcs.
	B2610418 90° Geniş Köşe Bağlantı 90° Wing Cor. Wide Joints	4 Ad. 4 Pcs.			B461200X Fırça Fitol Sealing Brush	2L+2H
	B2610419 90° Dar Köşe Bağlantı 90° Wing Cor. Narrow Joints	8 Ad. 8 Pcs.		B471100X Fırça Fitol TRI-FIN Sealing Brush TRI-FIN	12A+8B	
	B5320303 Kasa Alt Tozluk Central Bottom Sealing	2 Ad. 2 Pcs.		B4210045 Sürme Kanat Conta TPE Sliding Sash Gasket TPE	12A+8B	
	B5310310 Kasa Üst Tozluk Central Top Sealing	2 Ad. 2 Pcs.		B4310022 Ray Kapama Contası Gasket For Frame Rails	3L+6H	
	B2310495 Adaptör Kap. Alt End Cap Bottom LR-3215, LR-3216	4 Ad. 4 Pcs.		Cam Kama Contası Wedge Gasket (Cam Terçihine Göre) (According To The Preferred Glass)	A=12Ad./Pcs B=211 mm. 12 Ad./Pcs.	
	B2310496 Adaptör Kap. Üst End Cap Top LR-3215, LR-3216	4 Ad. 4 Pcs.		B5110367 Kanat Kenetle Plastiği Locking Adapter Plastic	B=4 Ad. B=4 Pcs.	
	B2210424 Kanat Stoper Adaptörü Sash Stoper Adapter	4 Ad. 4 Pcs.		B5110351 Kanal "U" Plastiği Plastic Cover For Frame	L=32 mm. 4 Ad./Pcs H=32 mm. 4 Ad./Pcs	
	B2210426 Lastik Kanat Stoperi Rubber Stop For Sash	4 Ad. 4 Pcs.		B5611214 Paslanmaz Çelik Ray Stainless Steel Driver	L=90 mm. 3 Ad./Pcs.	
	B2210497 Sallantı Engellyici Sash Spacer	6 Ad. 6 Pcs.		B3110897 Kasa Destek Profili Support Profile	L=50 mm. 1 Ad./Pcs.	

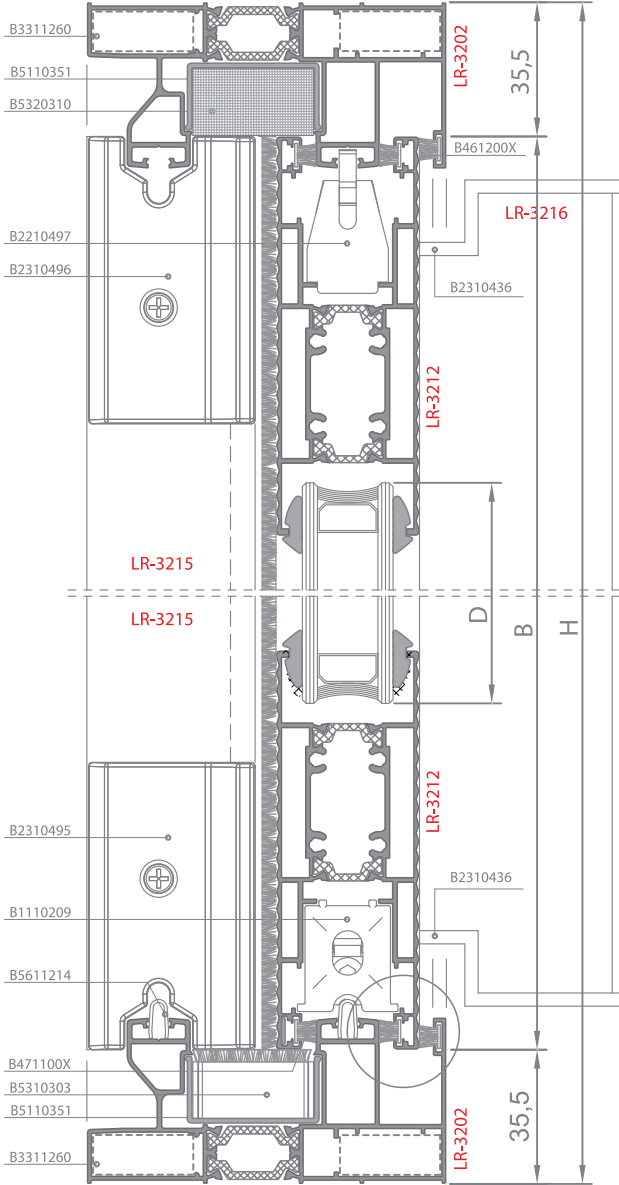
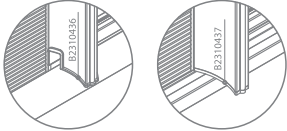


Alternatif Detay
Alternative Details

90° Klasik Sürme
90° Classical Slide



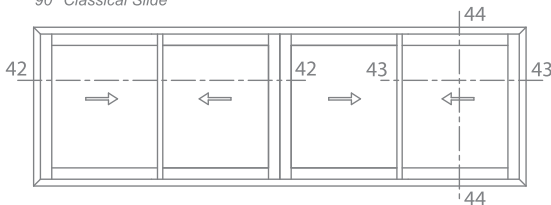
Ölçek: 1:2
Scale: 1:2

44.44 Detay
Details

LR-3218 Kanat içeride ise B2310436 nolu kapak
LR-3218 sash used inside, cap is B2310436
LR-3218 Kanat dışarıda ise B2310437 nolu kapak
LR-3218 sash used outside, cap is B2310437

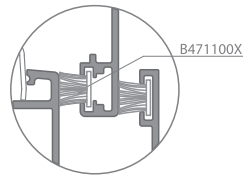
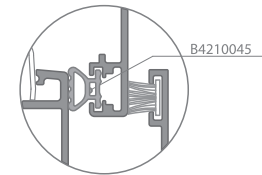


90° Klasik Sürme
90° Classical Slide

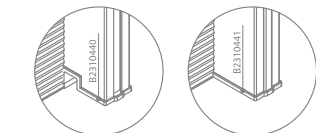
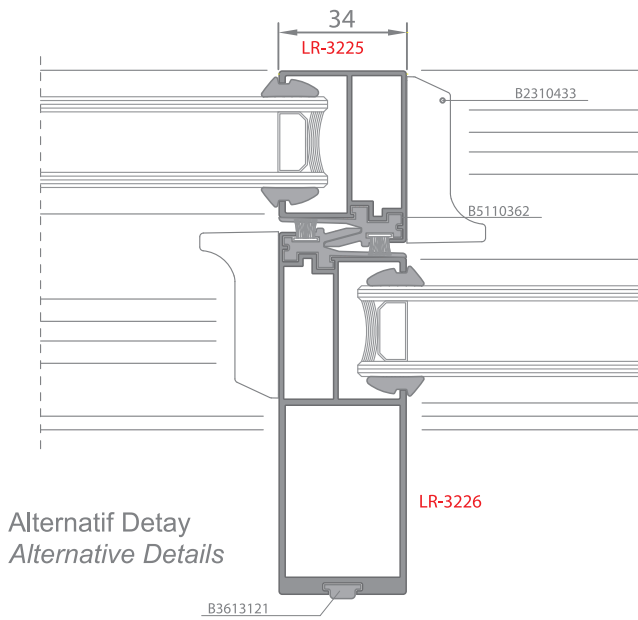
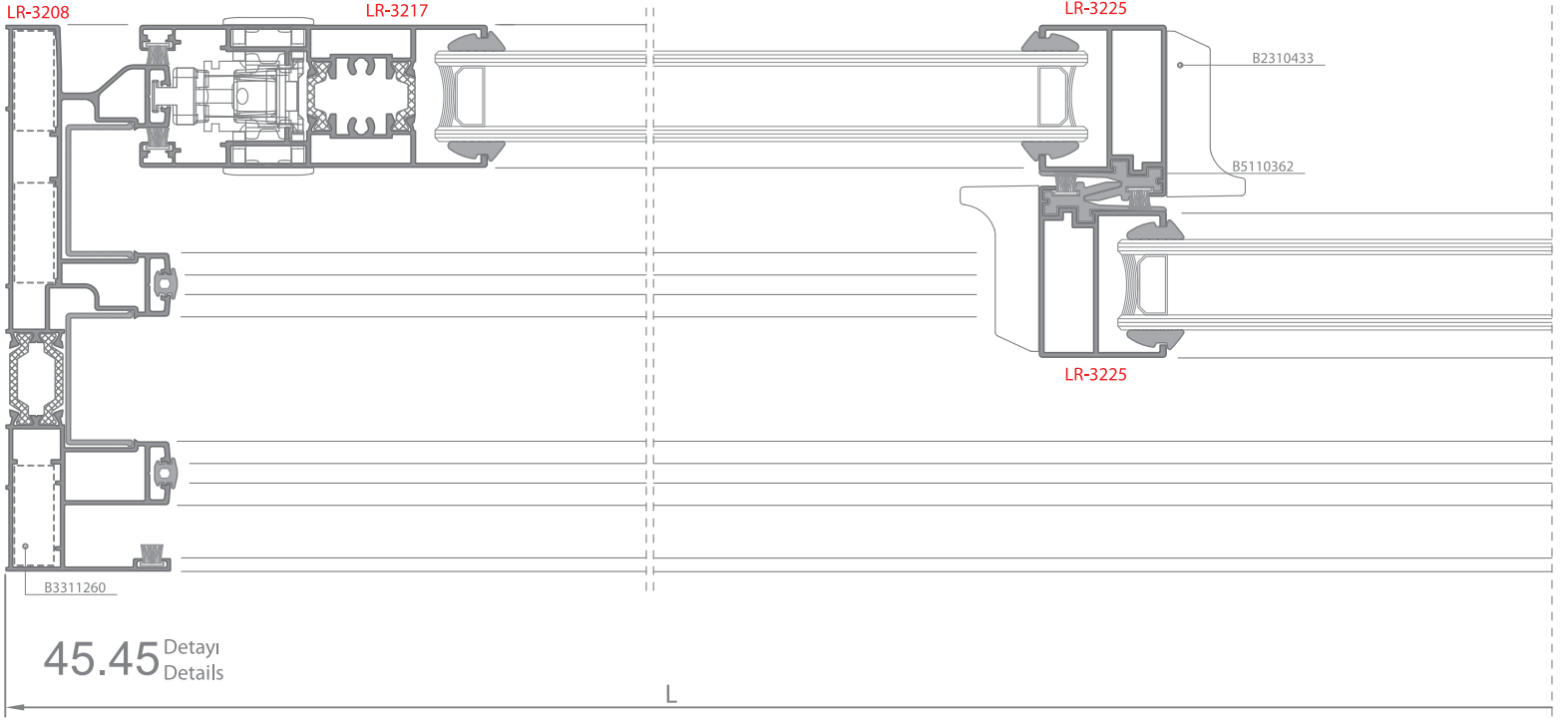


Kasa Genişlik Frame Width	LR-3201 LR-3202			2 Ad. 2 Pcs.	L
Kasa Yükseklik Frame Height	LR-3201 LR-3202			2 Ad. 2 Pcs.	H
Kanat Yükseklik Sash Height	LR-3217			4 Ad. 4 Pcs.	B=H-77
Baza Genişlik Sash Width	LR-3212 LR-3213			8 Ad. 8 Pcs.	A=L-575, 1/4
Kenetli Kanat Yükseklik Vent Profile Height	LR-3215			2 Ad. 2 Pcs.	H-77
Kenetli Kanat Yükseklik Vent Profile Height	LR-3216			2 Ad. 2 Pcs.	H-77
Orta Kilitleme Kanat Yükseklik Center Locking Sash Height	LR-3233			1 Ad. 1 Pcs.	H-111
Cam Genişlik Glazing Width				4 Ad. 4 Pcs.	C=L-443/4
Cam Yükseklik Glazing Height				4 Ad. 4 Pcs.	D=H-255

	B3311260 Vidalı Köşe Bağ. Takozu Screwed Corner Cleat	8 Ad. 8 Pcs.		B1110209 Ayarlı Kanat Rulmanı Sliding And Ad. Carriage	8 Ad. 8 Pcs.	
	B2610418 90° Geniş Köşe Bağlantı 90° Wing Cor. Wide Joints	8 Ad. 8 Pcs.		B2310463 Orta Adaptör Kapağı Central End cap For Sash	1 Tk. 1 Set	
	B2610419 90° Dar Köşe Bağlantı 90° Wing Cor. Narrow Joints	8 Ad. 8 Pcs.		B461200X Fırça Fital Sealing Brush	2L+2H	
	B5310303 Kasa Alt Tozluk Central Bottom Sealing	3 Ad. 3 Pcs.	Alternatif Detay Alternative Details		B471100X Fırça Fital TRI-FIN Sealing Brush TRI-FIN	16A+10B
	B5320310 Kasa Üst Tozluk Central Top Sealing	3 Ad. 3 Pcs.			B4210045 Sürme Kanat Conta TPE Sliding Sash Gasket TPE	16A+10B
	B2310495 Adaptör Kap. Alt End Cap Bottom LR-3215, LR-3216	4 Ad. 4 Pcs.		B4310022 Ray Kapama Contası Gasket For Frame Rails	2L+4H	
	B2310496 Adaptör Kap. Üst End Cap Top LR-3215, LR-3216	4 Ad. 4 Pcs.		Cam Kama Contası Wedge Gasket (Cam Terchline Göre) (According To The Preferred Glass)	A=16 Ad./Pcs B=211 mm. 16 Ad./Pcs.	
	B2210424 Kanat Stoplama Adaptörü Sash Stopper Adapter	6 Ad. 6 Pcs.		B5110367 Kanat Kenetleme Plastiği Locking Adapter Plastic	B=4 Ad. B=4 Pcs.	
	B2210426 Lastik Kanat Stoperi Rubber Stop For Sash	6 Ad. 6 Pcs.		B5110351 Kanal "U" Plastiği Plastic Cover For Frame	L-32 mm. 2 Ad./Pcs H-32 mm. 2 Ad./Pcs	
	B2210497 Sallantı Engellyici Sash Spacer	8 Ad. 8 Pcs.		B5611214 Paslanmaz Çelik Ray Stainless Steel Driver	L-90 mm. 2 Ad./Pcs.	
	B2310436 90° Kertmeli Kulup Kapak 90° Notched Sash End Cap	2 Tk. 2 Set.		B3613131 Dekoratif Kulup Çıtası Decorative Trim (Ral 3020)	H-98 mm. 2 Ad./Pcs.	

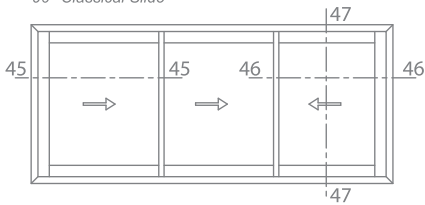
Alternatif Detay-1
Alternative Details-1Alternatif Detay-2
Alternative Details-2

Ölçek: 1:2
Scale: 1:2

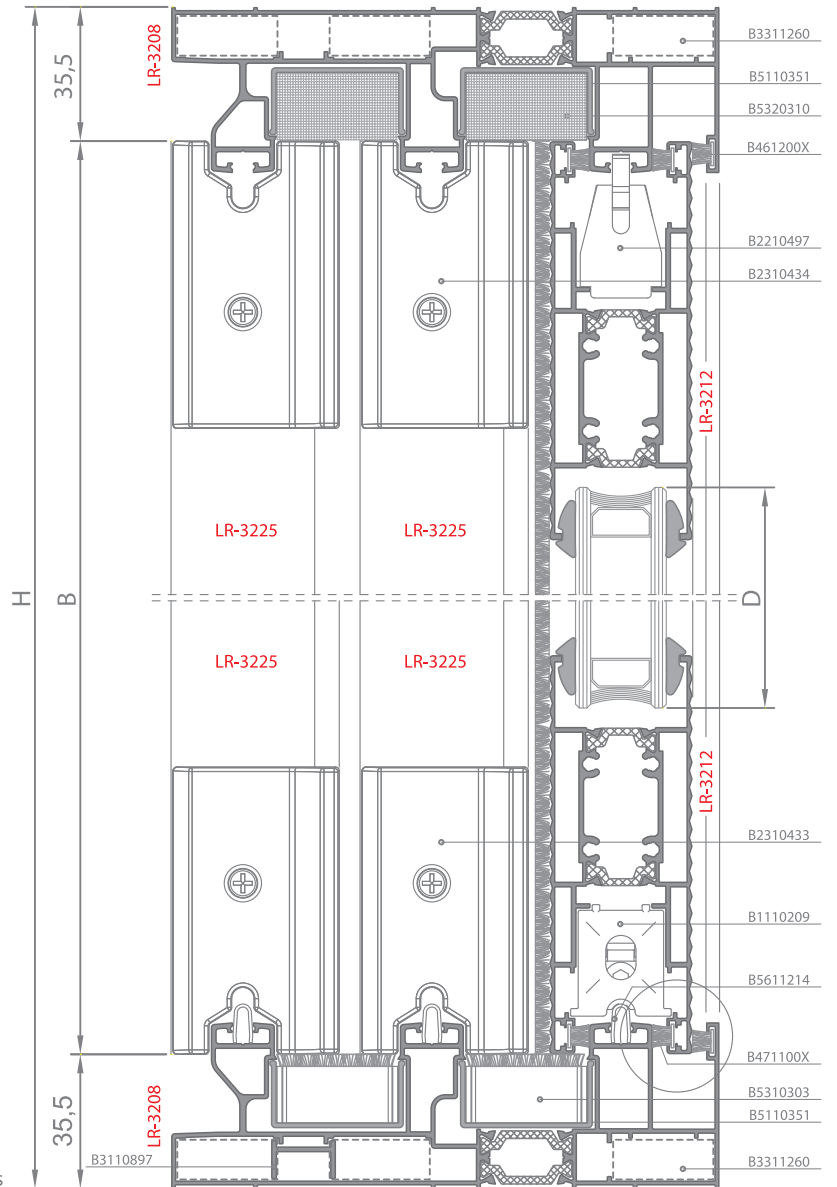


LR-3226 Kanat içeride ise B2310440 nolu kapak
LR-3226 sash used inside, cap is B2310440
LR-3226 Kanat dışarıda ise B2310441 nolu kapak
LR-3226 sash used outside, cap is B2310441

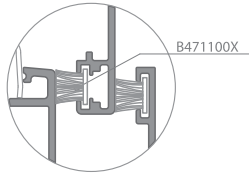
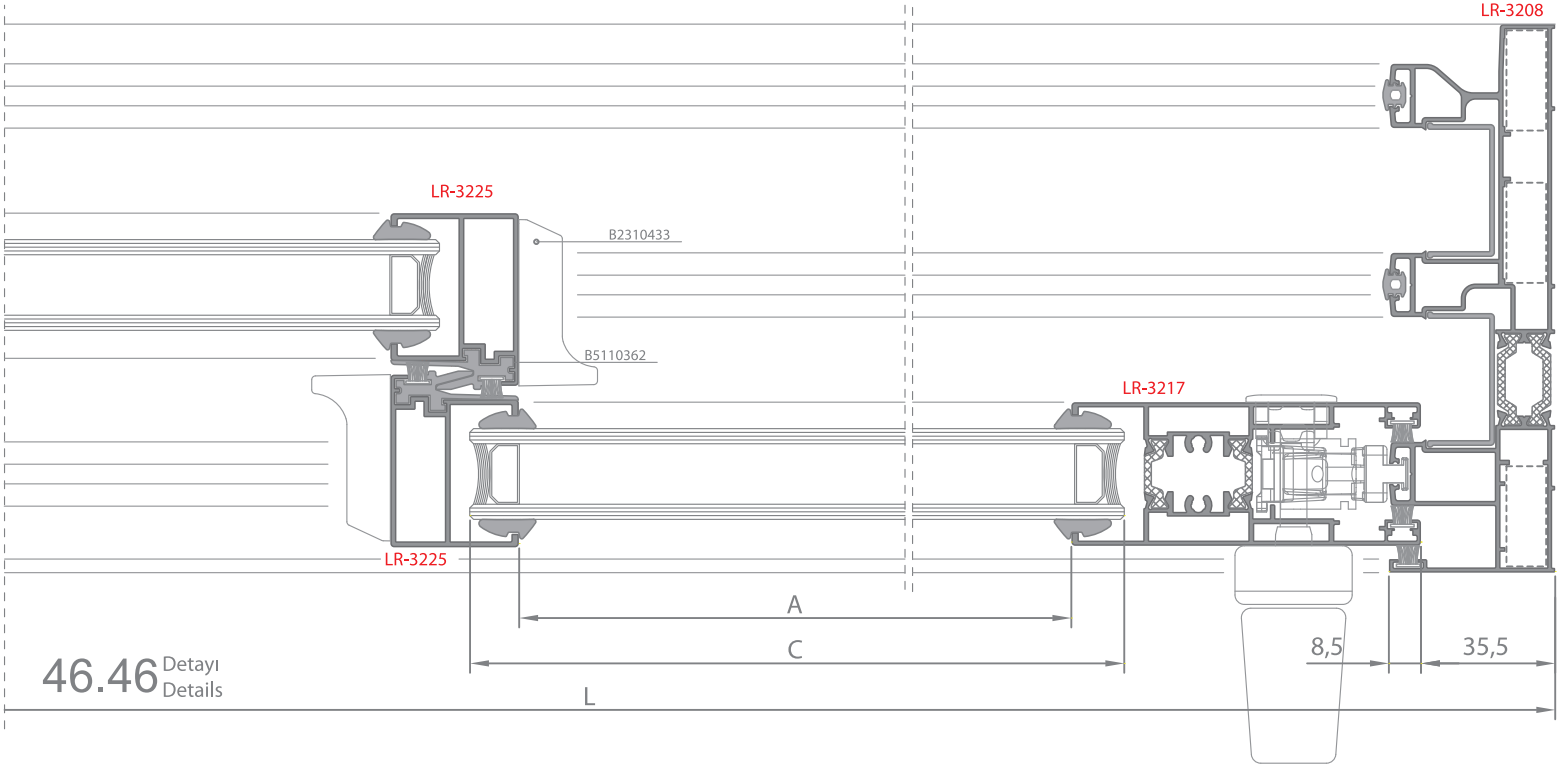
90° Klasik Sürme
90° Classical Slide



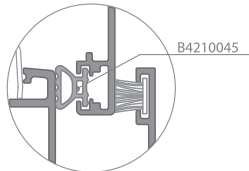
47.47 Detay
Details



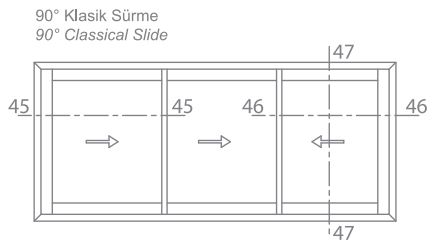
Ölçek: 1:2
Scale: 1:2
SAYFA 46



Alternatif Detay-1
Alternative Details-1



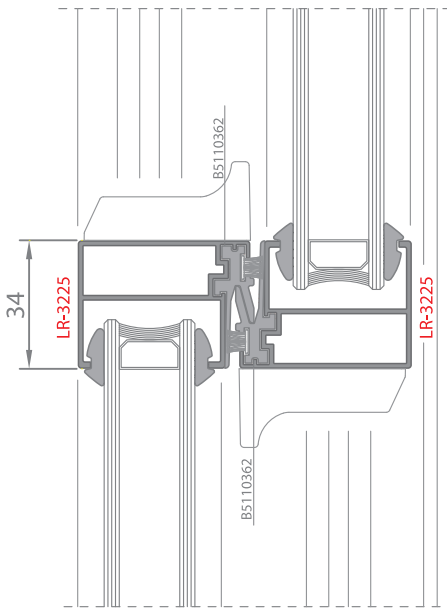
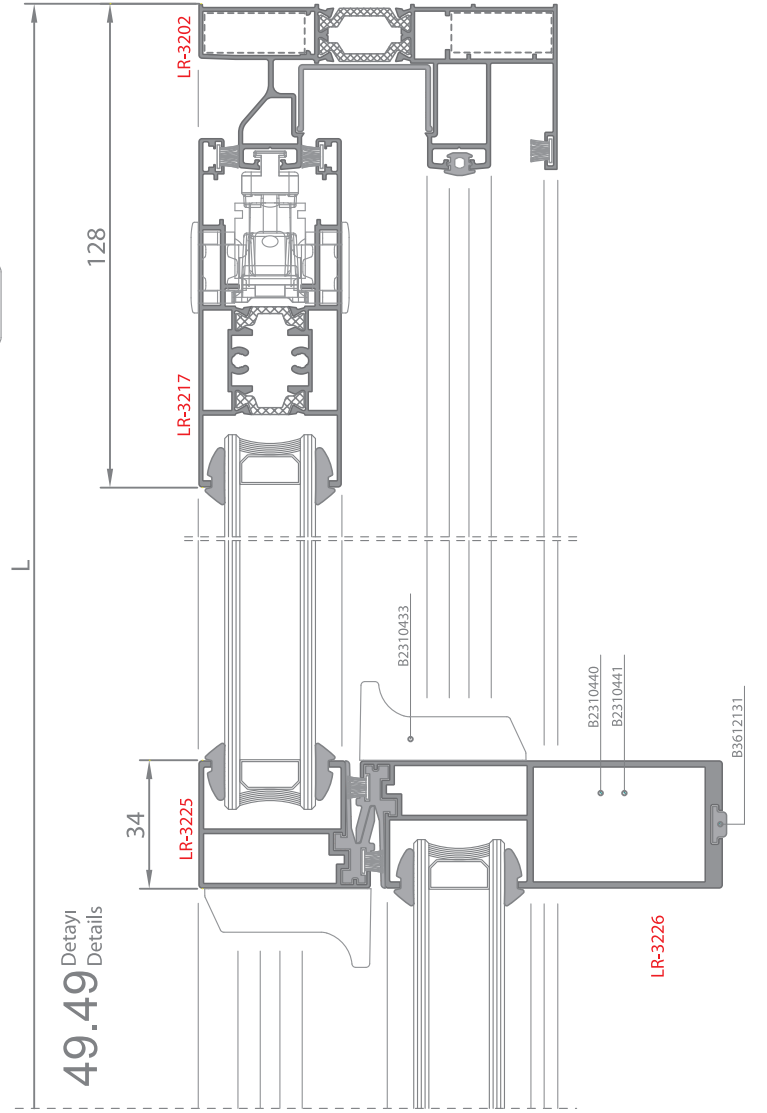
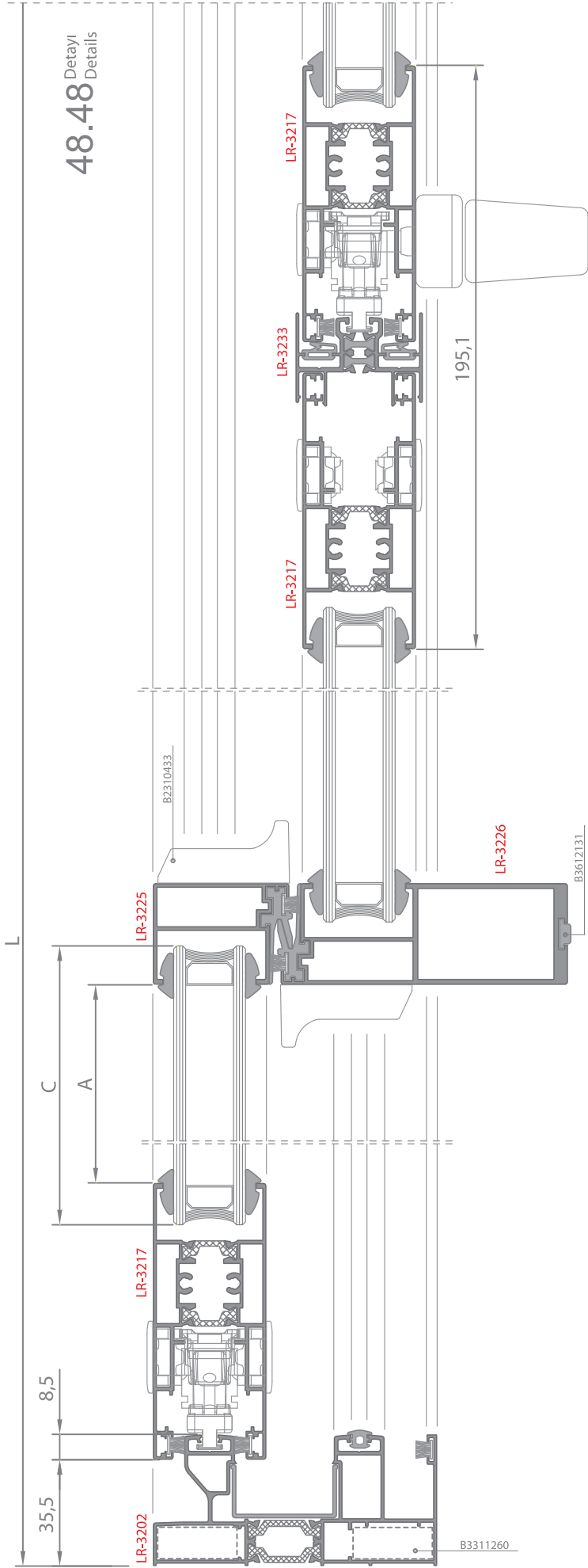
Alternatif Detay-2
Alternative Details-2



Ölçek: 1:2
Scale: 1:2

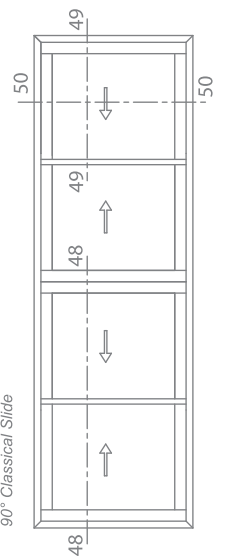
Kasa Genişlik Frame Width	LR-3207 LR-3208			2 Ad. 2 Pcs.	L
Kasa Yükseklik Frame Height	LR-3207 LR-3208			2 Ad. 2 Pcs.	H
Kanat Yükseklik Sash Height	LR-3217			2 Ad. 2 Pcs.	B=H-77
Baza Genişlik Sash Width	LR-3212 LR-3213			6 Ad. 6 Pcs.	A=L-342/3
Kenetli Kanat Yükseklik Vent Profile Height	LR-3225			4 Ad. 4 Pcs.	H-77
Cam Genişlik Glazing Width				3 Ad. 3 Pcs.	C=L-245/3
Cam Yükseklik Glazing Height				3 Ad. 3 Pcs.	D=H-255

	B3311260 Vidalı Köşe Bağ. Takozu Screwed Corner Cleat	8 Ad. 8 Pcs.		B1110209 Ayarlı Kanat Rulman Sliding And Ad. Carriage	6 Ad. 6 Pcs.
	B2610418 90° Geniş Köşe Bağlantı 90° Wing Cor. Wide Joints	4 Ad. 4 Pcs.		B461200X Fırça Fıtil Sealing Brush	2L+2H
	B2610419 90° Dar Köşe Bağlantı 90° Wing Cor. Narrow Joints	8 Ad. 8 Pcs.		B471100X Fırça Fıtil TRI-FIN Sealing Brush TRI-FIN	12A+8B
	B5310303 Kasa Alt Tozluk Central Bottom Sealing	2 Ad. 2 Pcs.		B4210045 Sürme Kanat Conta TPE Sliding Sash Gasket TPE	12A+8B
	B5320310 Kasa Üst Tozluk Central Top Sealing	2 Ad. 2 Pcs.		B4310022 Ray Kapama Contası Gasket For Frame Rails	3L+6H
	B2310433 Kenetli Adap. Kap. Alt End Cap Bottom LR-3221, LR-3225, LR-3226	4 Ad. 4 Pcs.		Cam Kama Contası Wedge Gasket (Cam Tercihine Göre) (According To The Preferred Glass)	A=12Ad./Pcs B-211 mm. 12 Ad./Pcs.
	B2310434 Kenetli Adap. Kap. Üst End Cap Top LR-3221, LR-3225, LR-3226	4 Ad. 4 Pcs.		B5110362 Kanat Kenetle Plastiği Locking Adapter Plastic	B=4 Ad. B=4 Pcs.
	B2210424 Kanat Stoplama Adaptörü Sash Stopper Adapter	4 Ad. 4 Pcs.		B5110351 Kanal "U" Plastiği Plastic Cover For Frame	L-32 mm. 4 Ad./Pcs H-32 mm. 4 Ad./Pcs
	B2210426 Lastik Kanat Stoperi Rubber Stop For Sash	4 Ad. 4 Pcs.		B5611214 Paslanmaz Çelik Ray Stainless Steel Driver	L-90 mm. 3 Ad./Pcs.
	B2210497 Sallantı Engellyici Sash Spacer	6 Ad. 6 Pcs.		B3110897 Kasa Destek Profili Support Profile	L-50 mm. 1 Ad./Pcs.



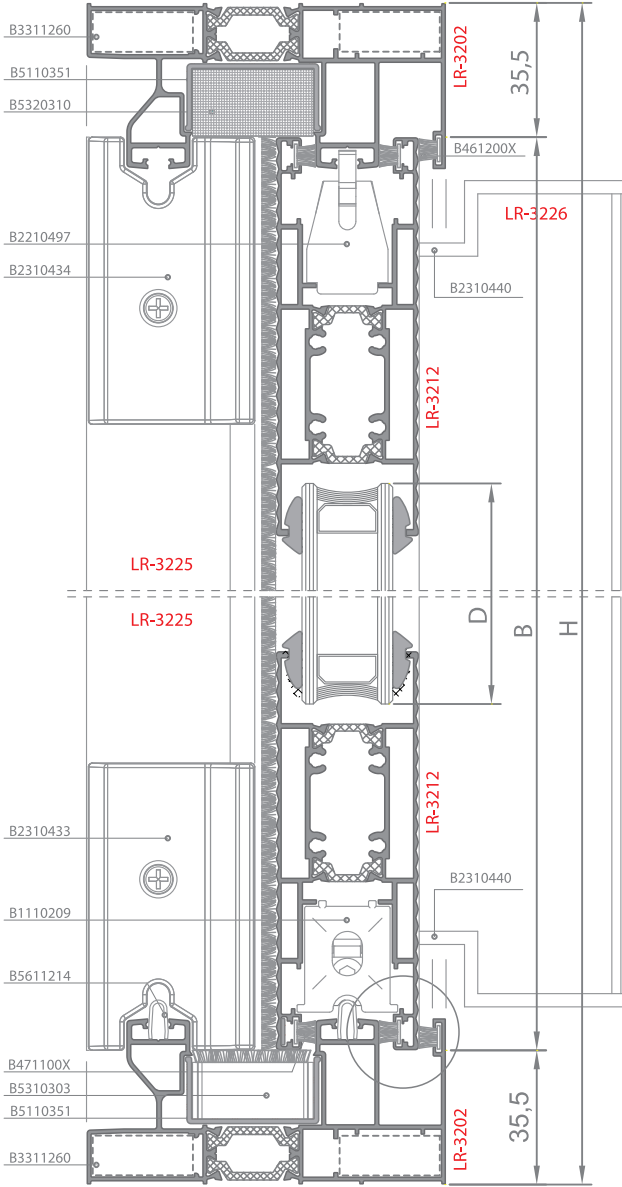
Alternatif Detay
Alternative Details

90° Klasik Sürme
90° Classical Slide

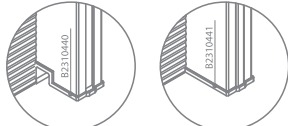


Ölçek: 1:2
Scale: 1:2

SAYFA 48



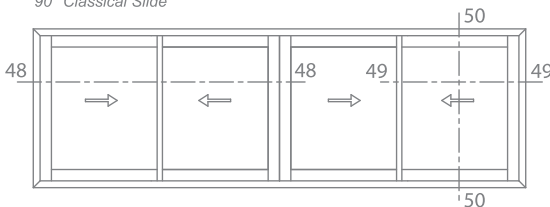
50.50 Detaylı
Details



LR-3226 Kanat içeride ise B2310440 nolu kapak
LR-3226 sash used inside, cap is B2310440
LR-3226 Kanat dışarıda ise B2310441 nolu kapak
LR-3226 sash used outside, cap is B2310441

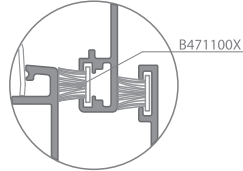


90° Klasik Sürme
90° Classical Slide

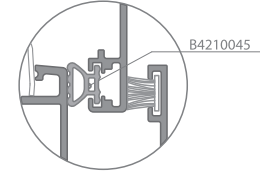


Kasa Genişlik Frame Width	LR-3201 LR-3202			2 Ad. 2 Pcs.	L
Kasa Yükseklik Frame Height	LR-3201 LR-3202			2 Ad. 2 Pcs.	H
Kanat Yükseklik Sash Height	LR-3217			4 Ad. 4 Pcs.	B=H-77
Baza Genişlik Sash Width	LR-3212 LR-3213			8 Ad. 8 Pcs.	A=L-543/4
Kenetli Kanat Yükseklik Vent Profile Height	LR-3225			2 Ad. 2 Pcs.	H-77
Kenetli Kanat Yükseklik Vent Profile Height	LR-3226			2 Ad. 2 Pcs.	H-77
Orta Kilitleme Kanat Yükseklik Center Locking Sash Height	LR-3233			1 Ad. 1 Pcs.	H-111
Cam Genişlik Glazing Width				4 Ad. 4 Pcs.	C=L-411/4
Cam Yükseklik Glazing Height				4 Ad. 4 Pcs.	D=H-255

	B3311260 Vidalı Köşe Bağ. Takozu Screwed Corner Cleat	8 Ad. 8 Pcs.		B1110209 Ayarlı Kanat Rulman Sliding And Ad. Carriage	8 Ad. 8 Pcs.
	B2610418 90° Geniş Köşe Bağlantı 90° Wing Cor. Wide Joints	8 Ad. 8 Pcs.		B2310463 Orta Adaptör Kapağı Central End cap For Sash	1 Tk. 1 Set
	B2610419 90° Dar Köşe Bağlantı 90° Wing Cor. Narrow Joints	8 Ad. 8 Pcs.		B461200X Fırça Filti Sealing Brush	2L+2H
	B5310303 Kasa Alt Tozluk Central Bottom Sealing	3 Ad. 3 Pcs.	Alternatif Detay Alternative Details	B471100X Fırça Filti TRI-FIN Sealing Brush TRI-FIN	16A+10B
	B5320310 Kasa Üst Tozluk Central Top Sealing	3 Ad. 3 Pcs.		B4210045 Sürme Kanat Conta TPE Sliding Sash Gasket TPE	16A+10B
	B2310433 Kenetli Adap. Kap. Alt End Cap Bottom LR-3221, LR-3225, LR-3226	4 Ad. 4 Pcs.		B4310022 Ray Kapama Contası Gasket For Frame Rails	2L+4H
	B2310434 Kenetli Adap. Kap. Üst End Cap Top LR-3221, LR-3225, LR-3226	4 Ad. 4 Pcs.		Cam Kama Contası Wedge Gasket (Cam İçerisine Göre) (According To The Preferred Glass)	A=16 Ad./Pcs B=211 mm. 16 Ad./Pcs.
	B2210424 Kanat Stoplama Adaptörü Sash Stopper Adapter	6 Ad. 6 Pcs.		B5110362 Kanat Kenetle Plastiği Locking Adapter Plastic	B=4 Ad. B=4 Pcs.
	B2210426 Lastik Kanat Stoperi Rubber Stop For Sash	6 Ad. 6 Pcs.		B5110351 Kanal "U" Plastiği Plastic Cover For Frame	L-32 mm. 2 Ad./Pcs H-32 mm. 2 Ad./Pcs
	B2210497 Sallantı Engelleyici Sash Spacer	8 Ad. 8 Pcs.		B5611214 Paslanmaz Çelik Ray Stainless Steel Driver	L-90 mm. 2 Ad./Pcs.
	B2310440 90° Kertmeli Kulup Kapak 90° Notched Sash End Cap	2 Tk. 2 Set.		B3612131 Dekoratif Kulup Çıtası Decorative Trim (Ral 3020)	H-98 mm. 2 Ad./Pcs.

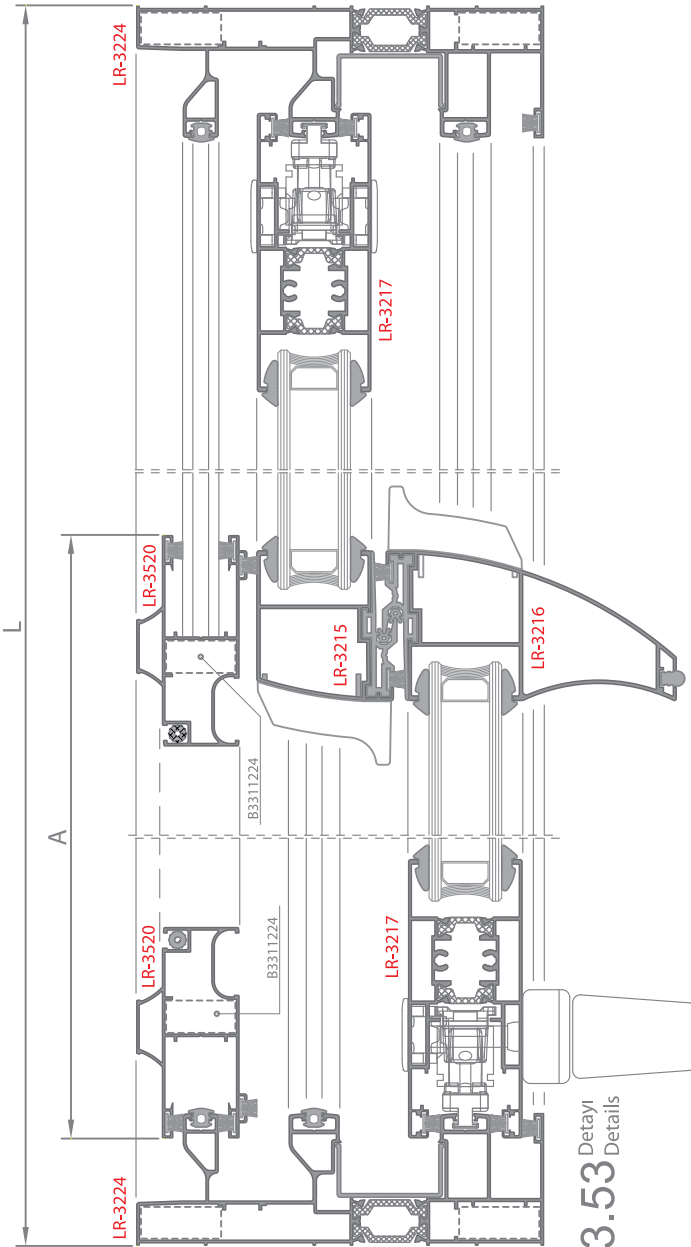
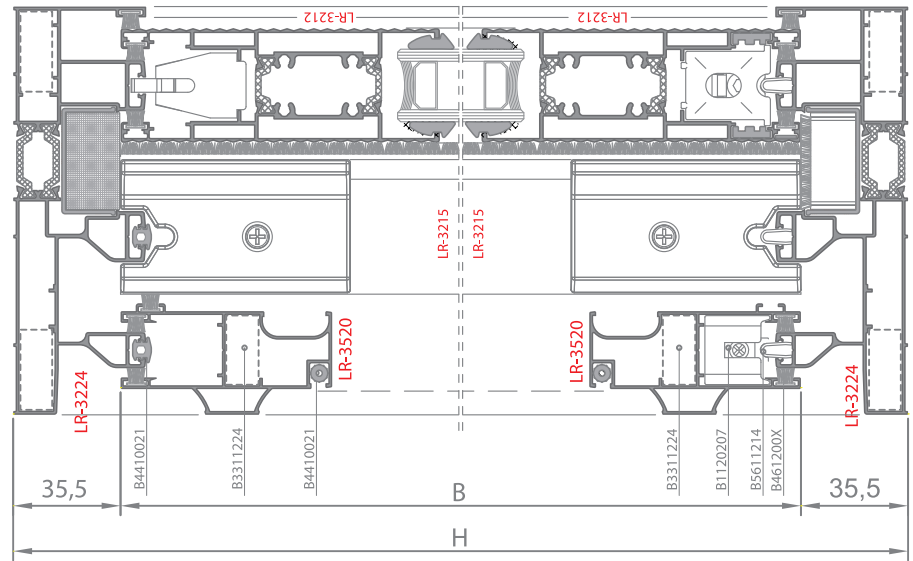
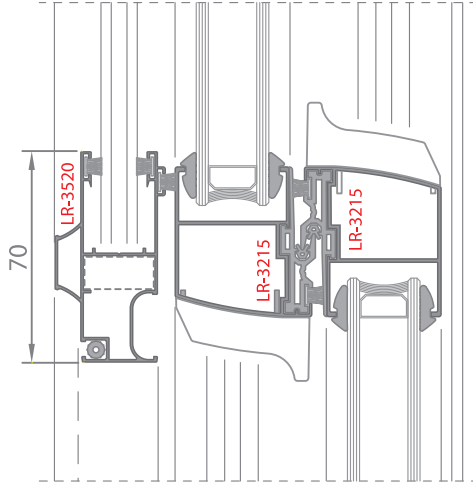


Alternatif Detay-1
Alternative Details-1

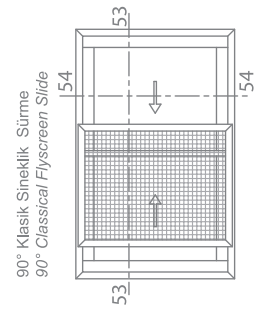


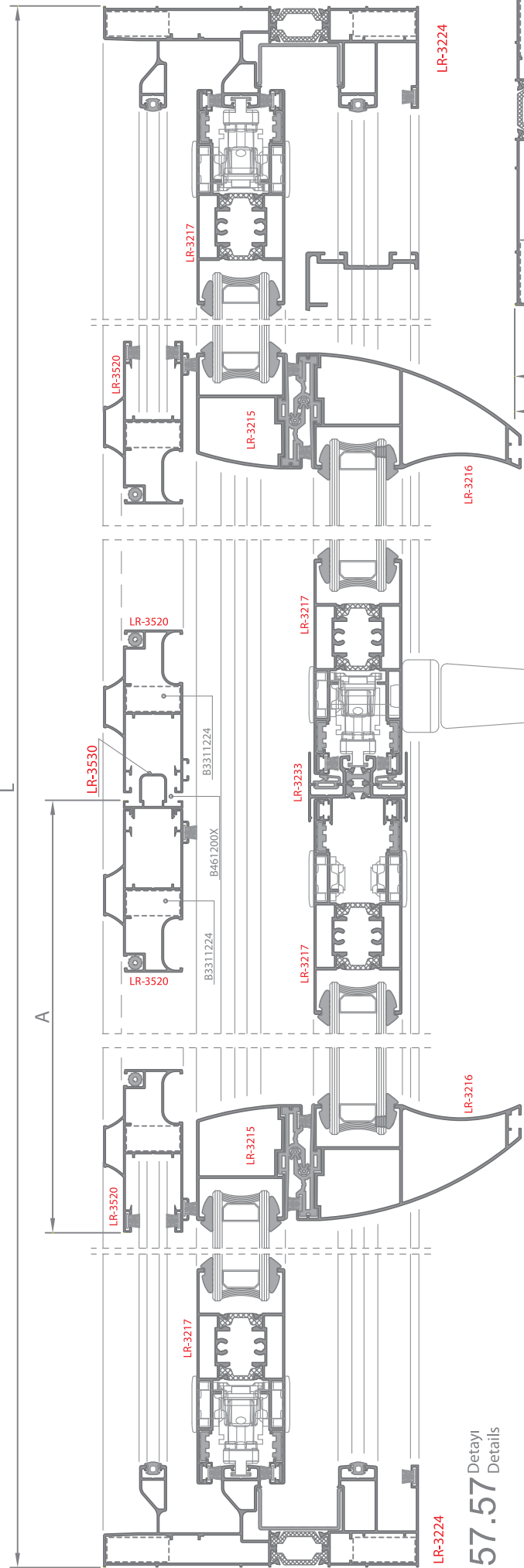
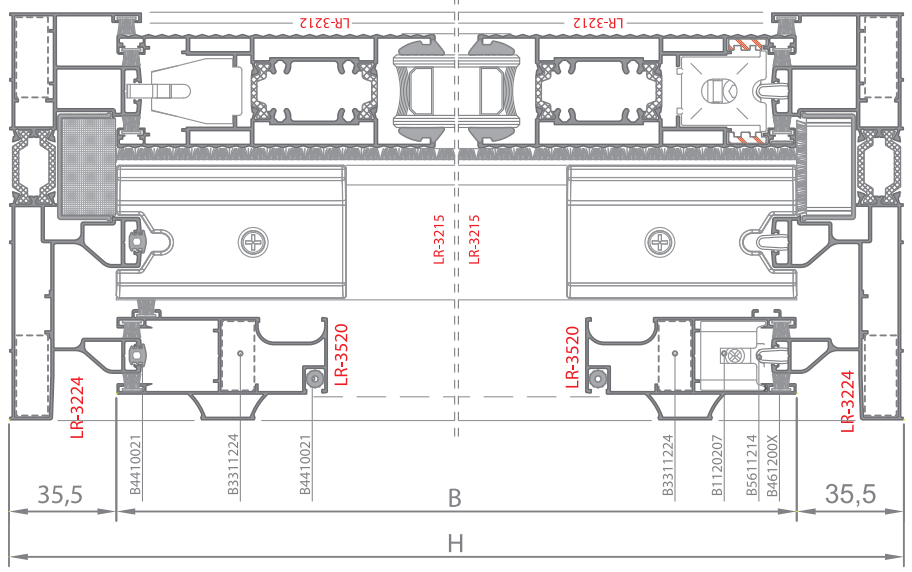
Alternatif Detay-2
Alternative Details-2

Ölçek: 1:2
Scale: 1:2

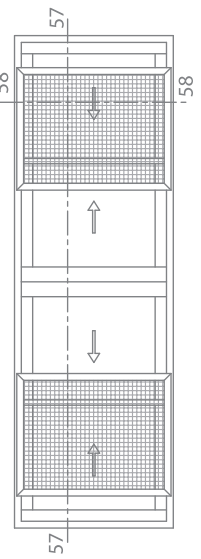
Alternatif Detay
Alternative Details53.53 Detayı
Details

Sineklik Kanat Genişlik Fly Screen Sash Width	LR-3520				2 Ad. 2 Pcs.	mm.	A=L-11/2
	LR-3520				2 Ad. 2 Pcs.		B=H-71
Sineklik Kanat Yükseklik Fly Screen Sash Height	B3311224 Vidalı Köşe Bağ. Takozu Screwed Corner Cleat		4 Ad. 4 Pcs.		B461200X Fırça Filti Sealing Brush		6A+6B
	B5640023 Sineklik Kanat Stoper Sash Flyscreen Stopper		4 Ad. 4 Pcs.		B4410021 Sineklik Filti Gasket Flyscreen Sash		A-120mm. 2 Ad./Pcs. B-120mm. 2 Ad./Pcs.
	B1120207 Ayarlı Sineklik Rulman Single Flyscreen Roller		2 Ad. 2 Pcs.				

54.54 Detayı
DetailsSERBEST ÖLÇEK
FREE SCALE

57.57 Detayı
Details58.58 Detayı
Details

Sineklik Kanat Genişlik Fly Screen Sash Width	LR-3520			4 Ad. 4 Pcs.		A=L+46/4
	LR-3520			4 Ad. 4 Pcs.		B=H-71
	LR-3530			1 Ad. 1 Pcs.		B=H-90
Sineklik Kanat Yükseklik Fly Screen Sash Height						
Vidalı Köşe Bağ. Takozu Screwed Corner Cleat	B3311224			8 Ad. 8 Pcs.		8A+12B
	B5640023			6 Ad. 6 Pcs.		A-120mm. 4 Ad./Pcs. B-120mm. 4 Ad./Pcs.
	B1120207			4 Ad. 4 Pcs.		

90° Klasik Sineklik Sürme
90° Classical Flyscreen SlideSERBEST ÖLÇEK
FREE SCALE

LINEA ROSSA®

LR3200
SLIDING SYSTEM

İMALAT DETAYLARI ASSEMBLY DRAWING

PH Plastik Hizalama
Plastic Corner Alignment

KH Krom Hizalama
Chrome Corner Alignment

DB Dik Bağlantı
Transom-Mullion Cleat

AK Adaptör Kapağı
Adapter Cap

PT Pres Takoz
Corner Cleat Profile

VT Vidalı Takoz
Corner Spring

Kertme
Notching

Takoz Punch
Manual Punch

Köşe Pres
Press Tool

Testere
Saw

Hızlı Yapıştırıcı
Adhesive

Slikon
Sealant

Tokmak
Mallet

Falçata
Curved Knife

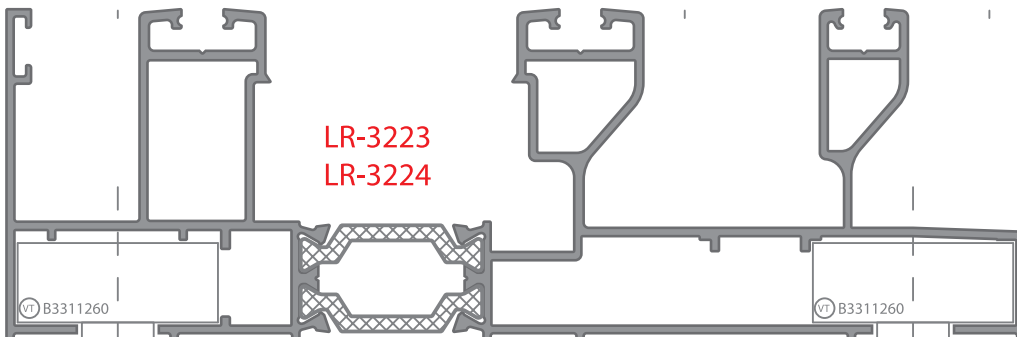
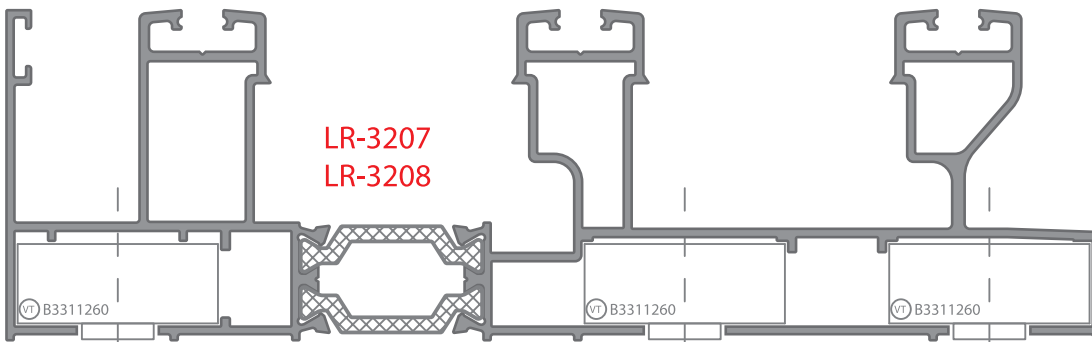
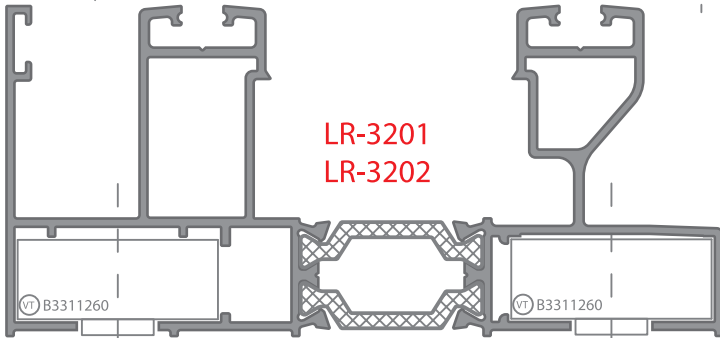
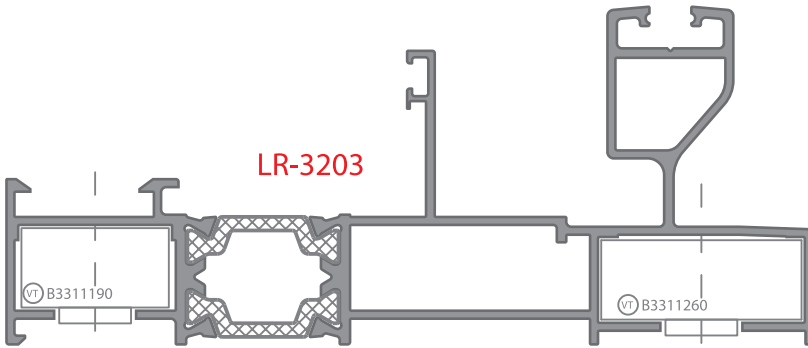
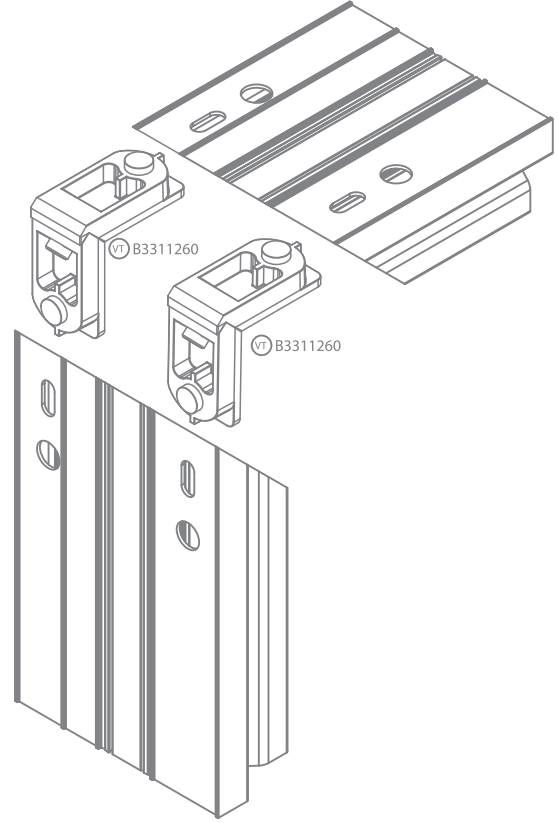
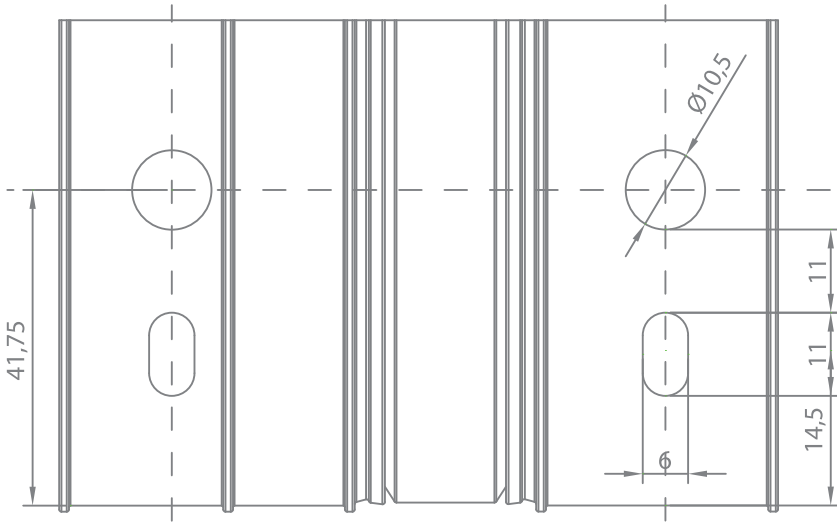
Ambalaj Miktarı
Packing Unit

Delik Çapı
Drilling Jig

Yalıtım Bantı
Insulation Tape

ÖLÇEK:1:1
SCALE:1:1

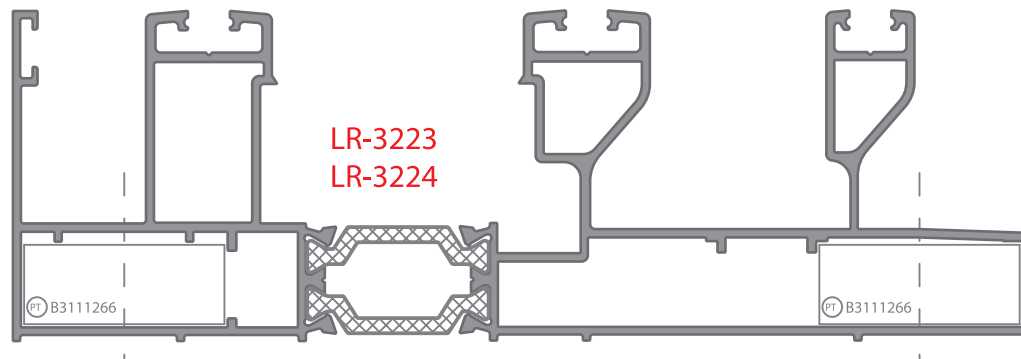
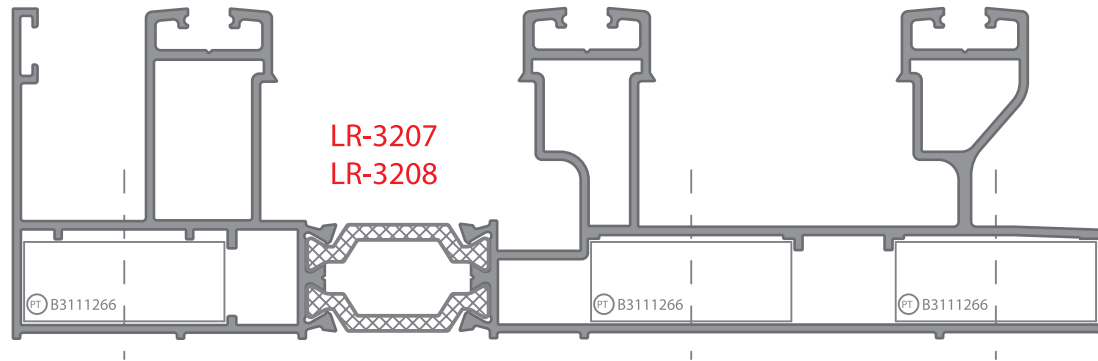
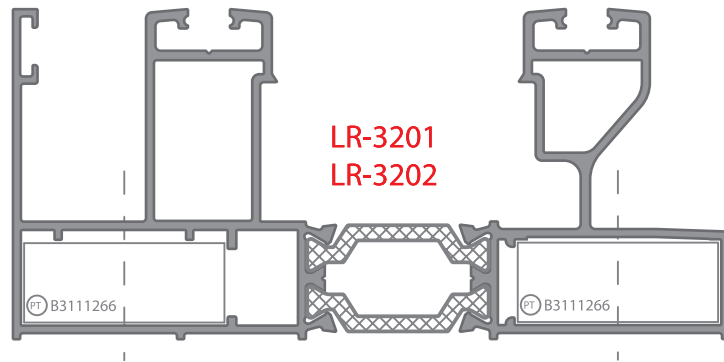
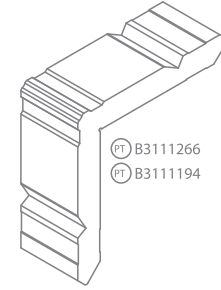
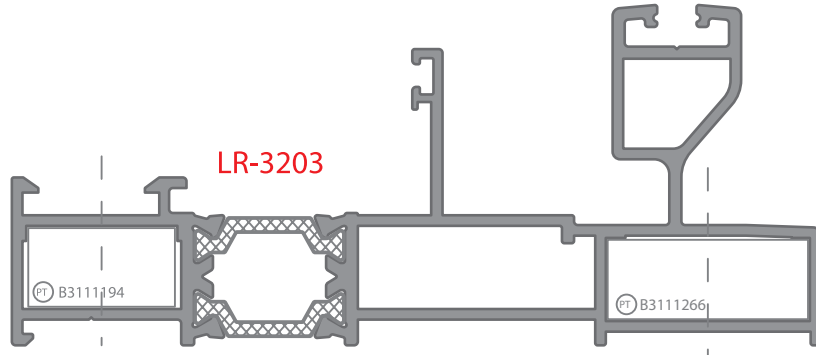
Kasa Vidalı Takoz Montaj Detayı
Screwed Corner Clead Assembly Detail



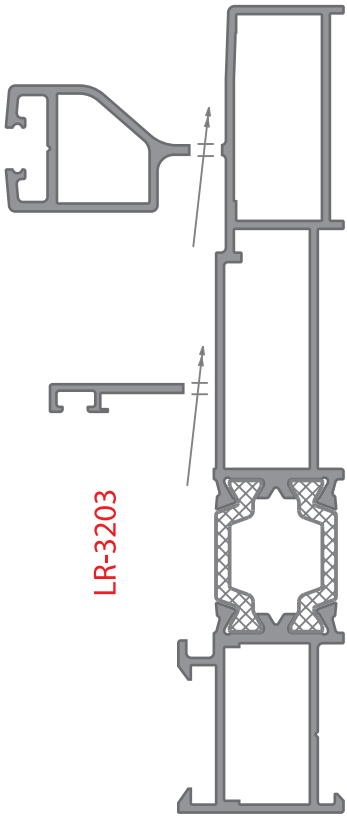
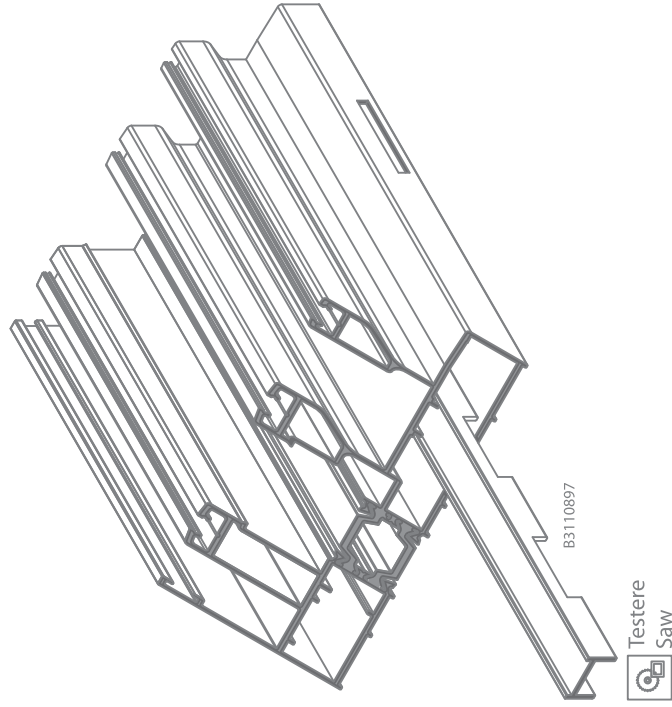
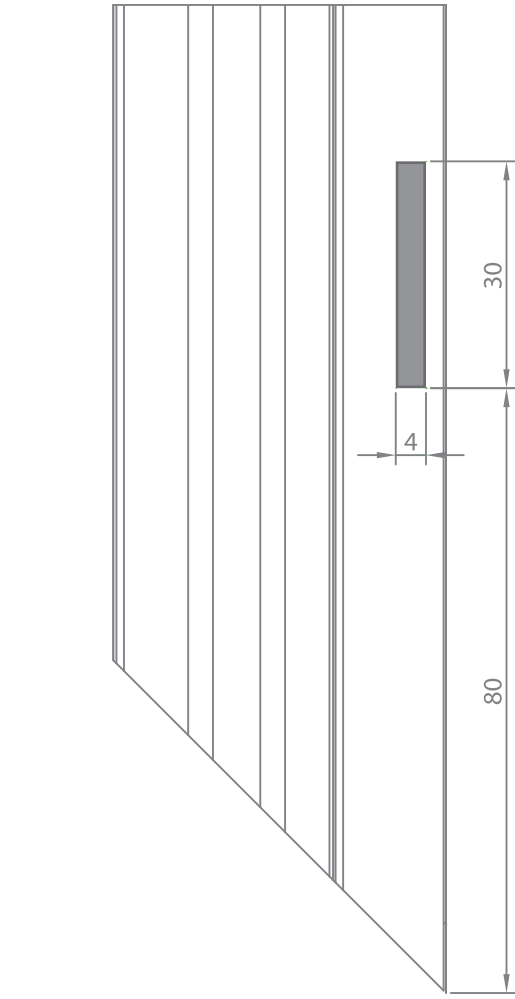
Takoz Punch
Manual Punch

Ölçek: 1:1
Scale: 1:1

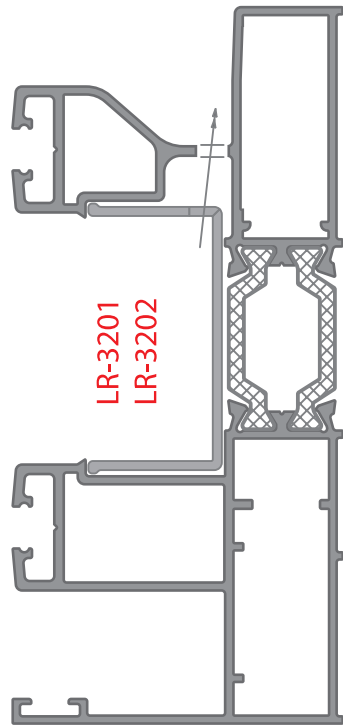
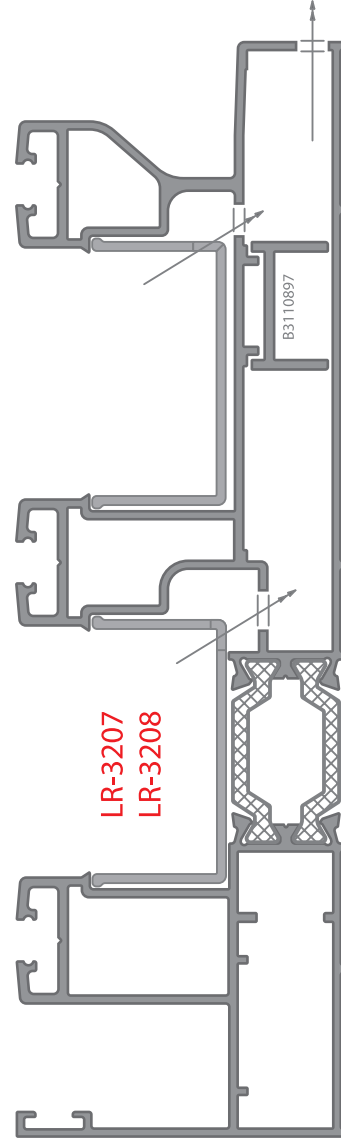
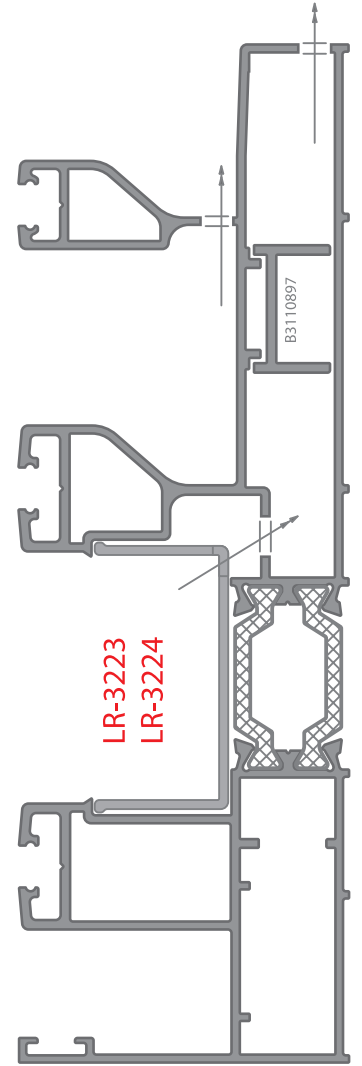
SAYFA 55

Kasa Pres Takoz Montaj Detayı
Corner Cleat Assembly Details

Ölçek: 1:1
Scale: 1:1

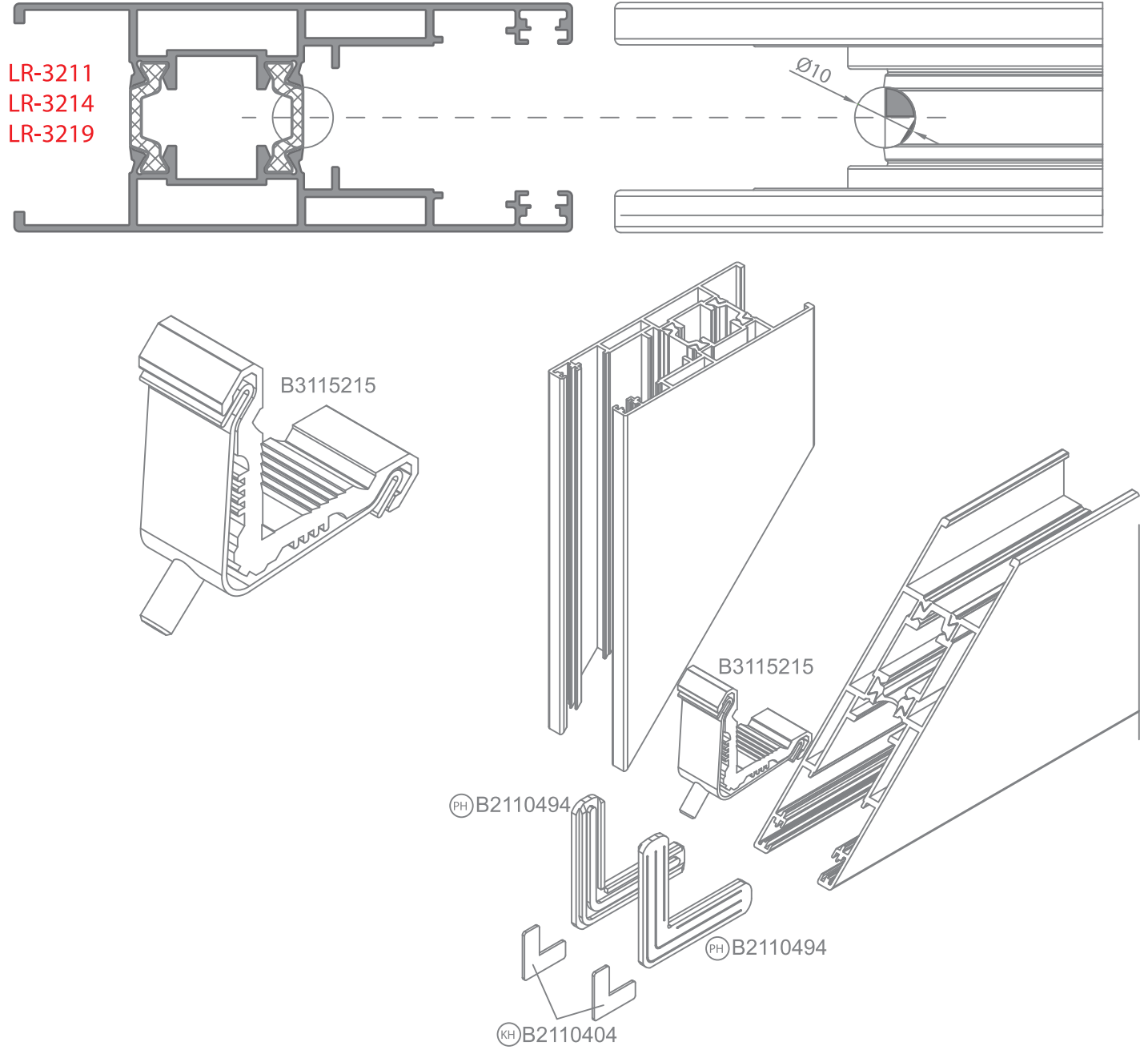
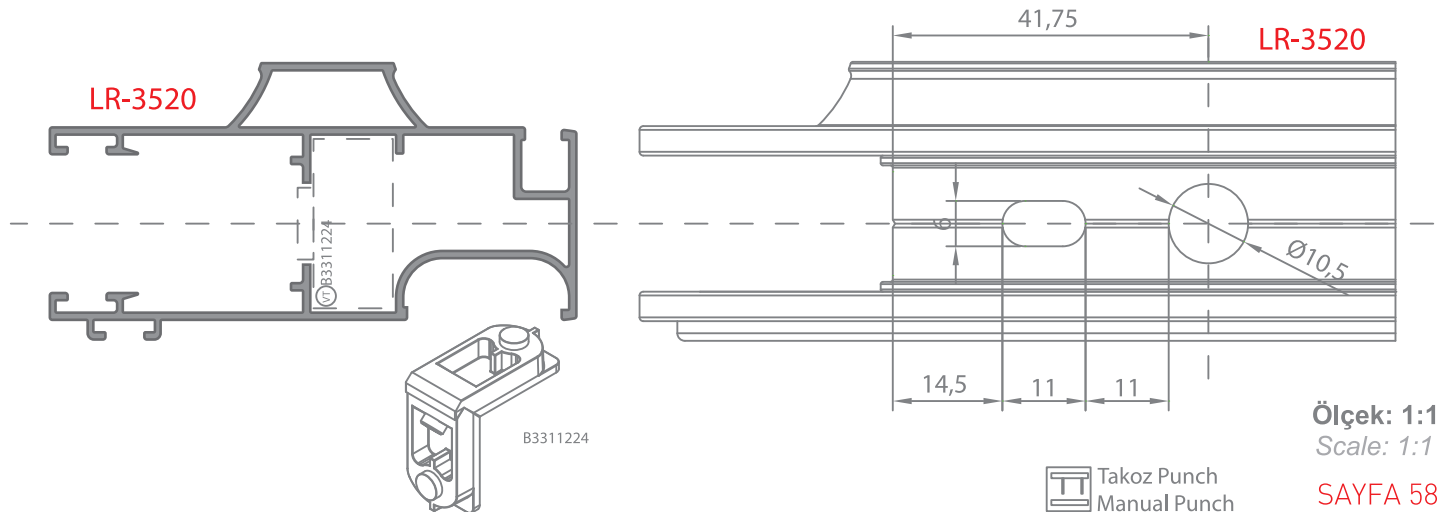


LR-3203

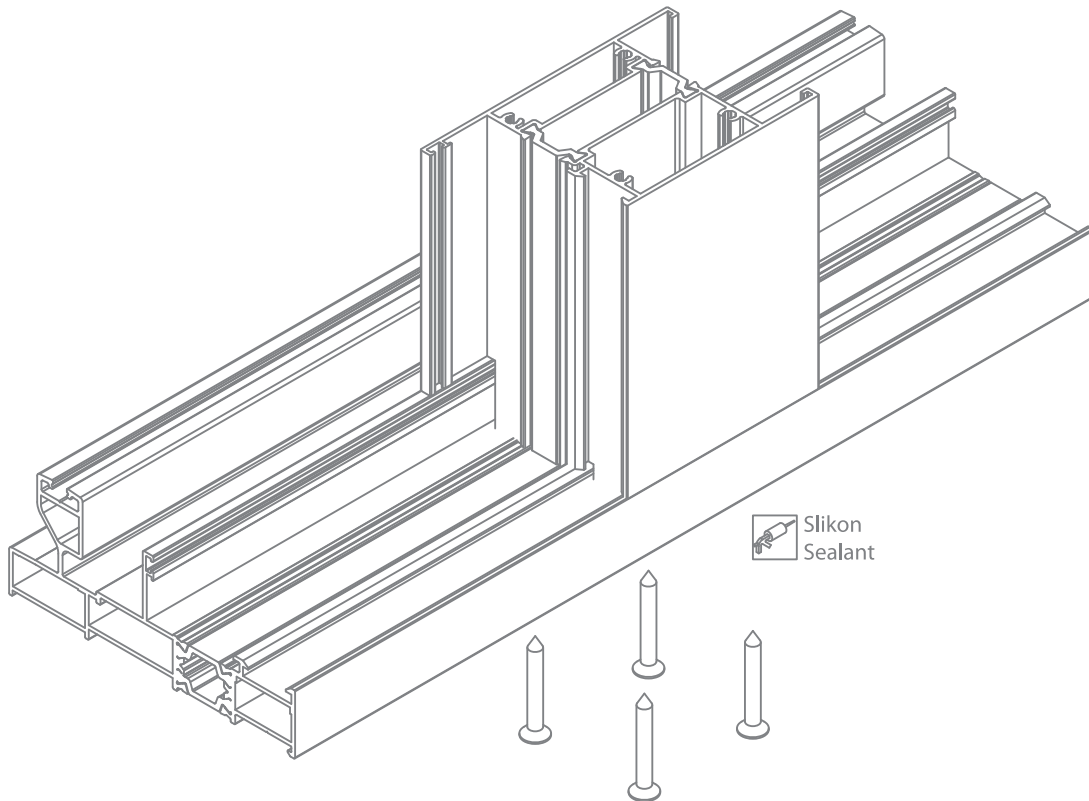
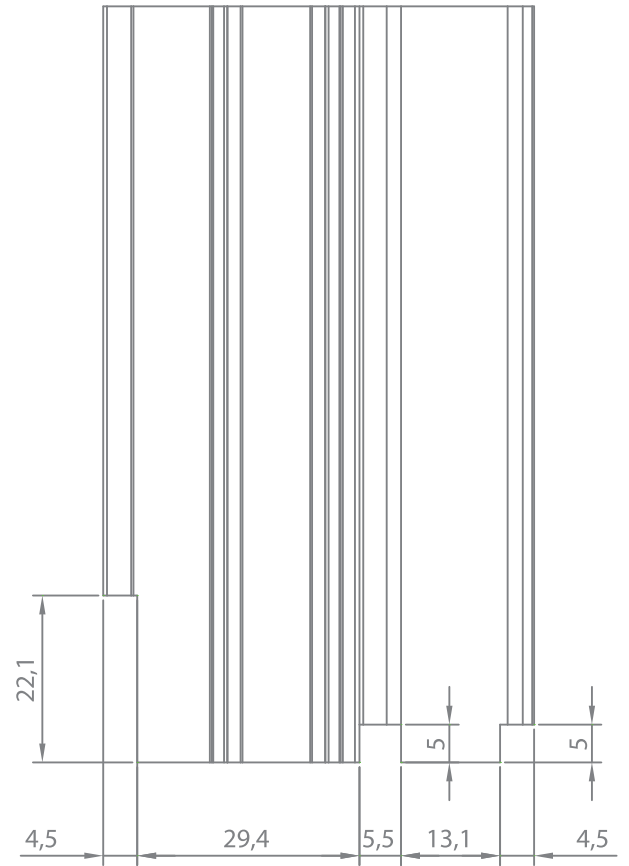
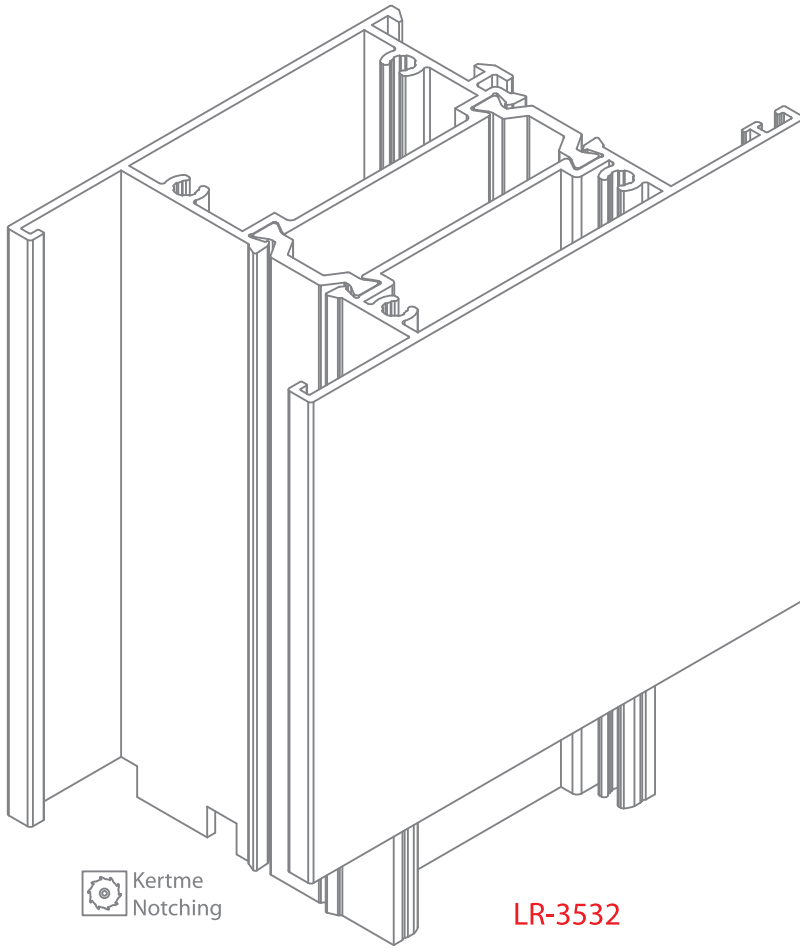
LR-3201
LR-3202LR-3207
LR-3208LR-3223
LR-3224Ölçek: 1:1
Scale: 1:1

LR3211-LR3214-LR3219 Kanat Takoz Montaj Detayı

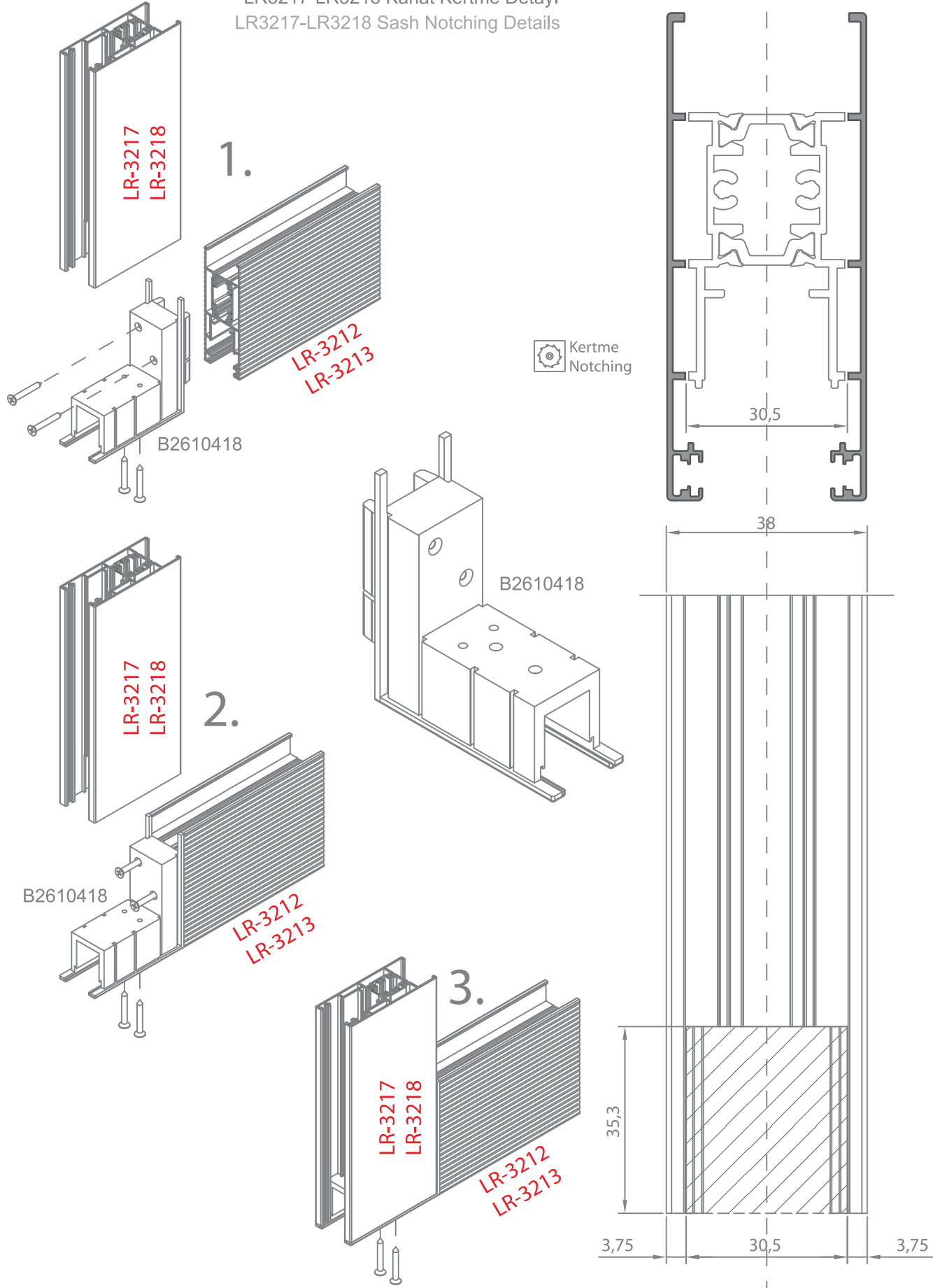
LR3211-LR3214-LR3219 Sash Screwed Corner Cleat Assembly Details

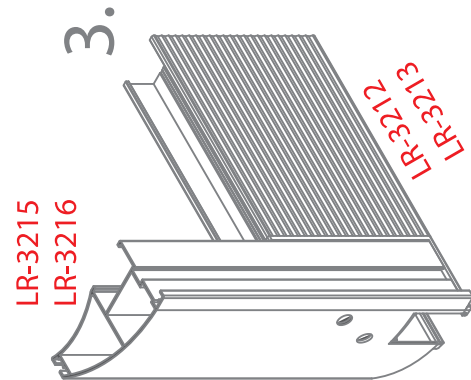
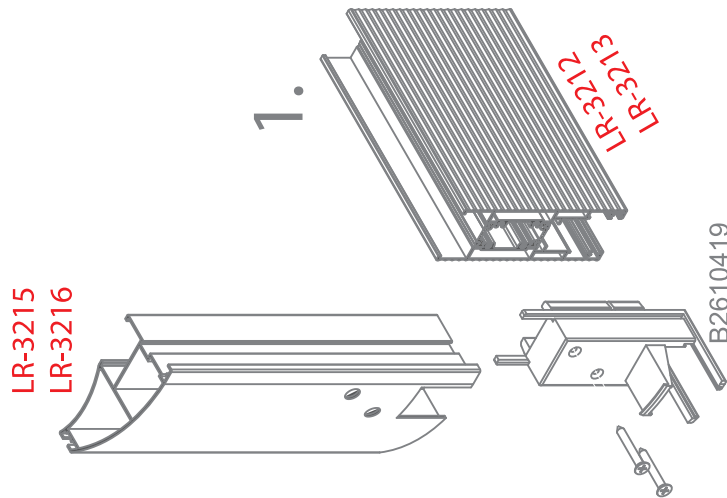
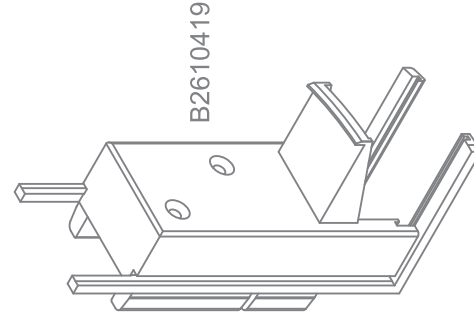
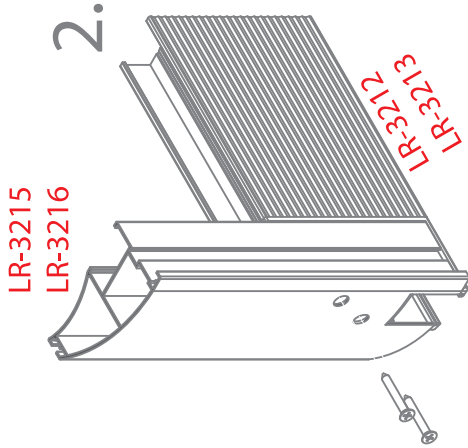
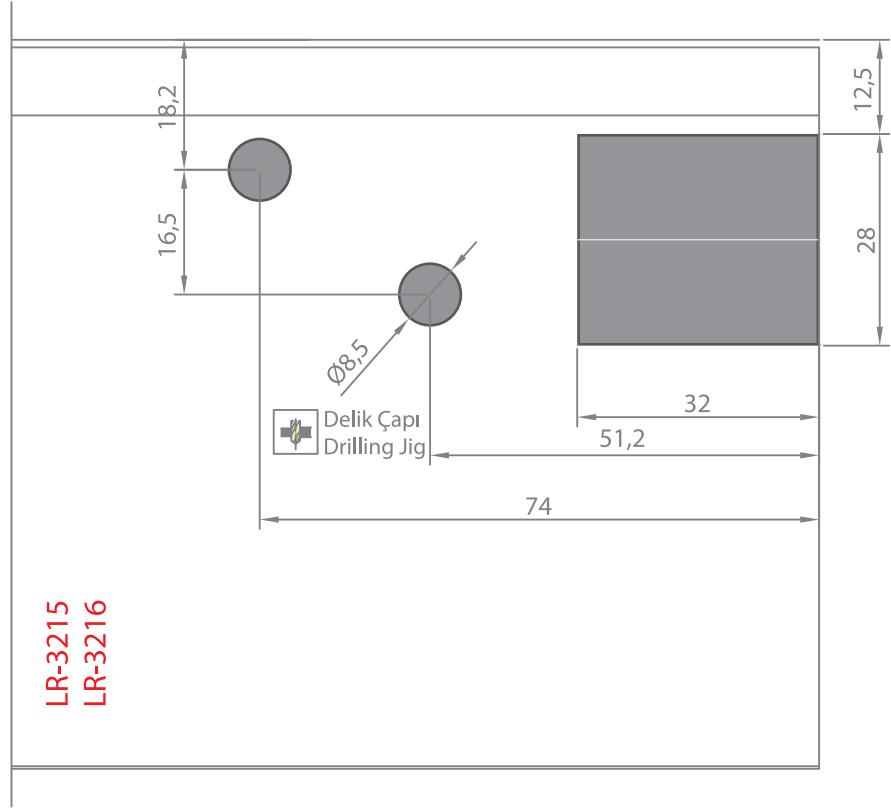
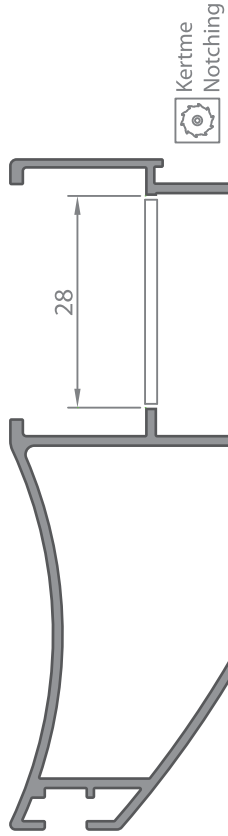
LR3520 Kanat Vidalı Takoz Montaj Detayı
LR3520 Sash Screwed Corner Cleat Assembly DetailsÖlçek: 1:1
Scale: 1:1

SAYFA 58

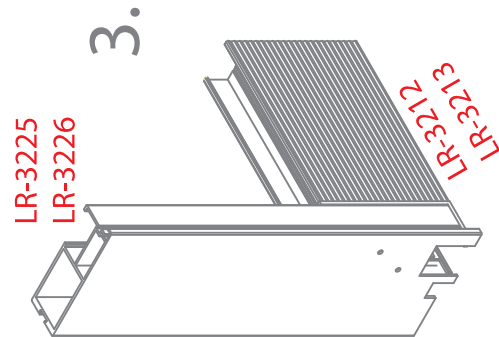
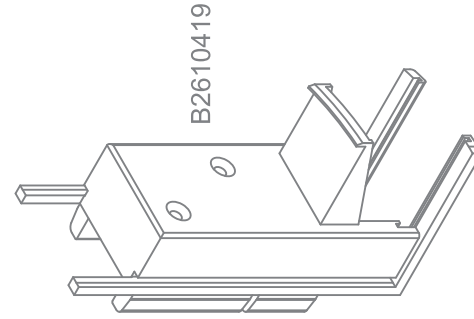
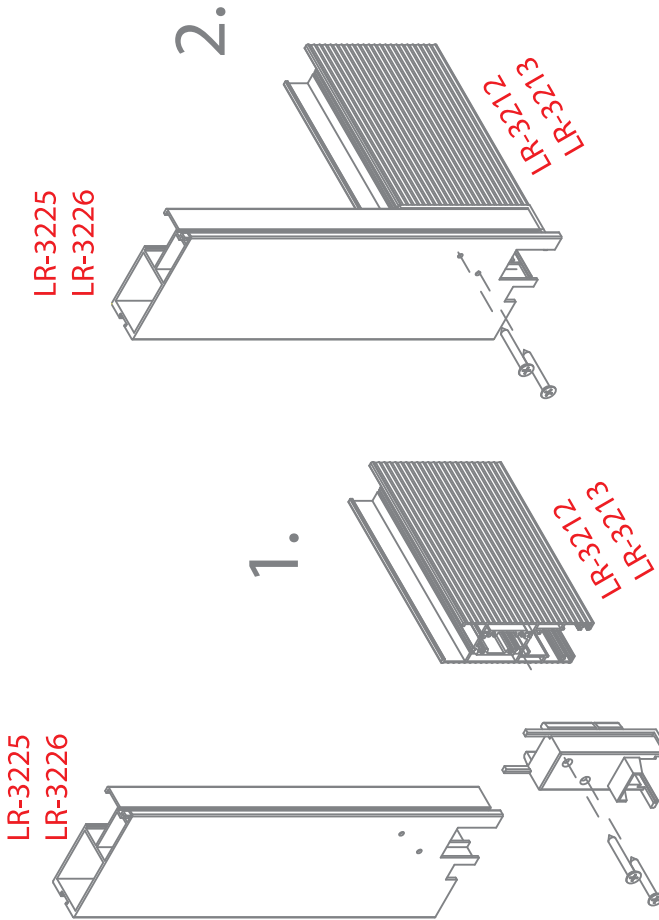
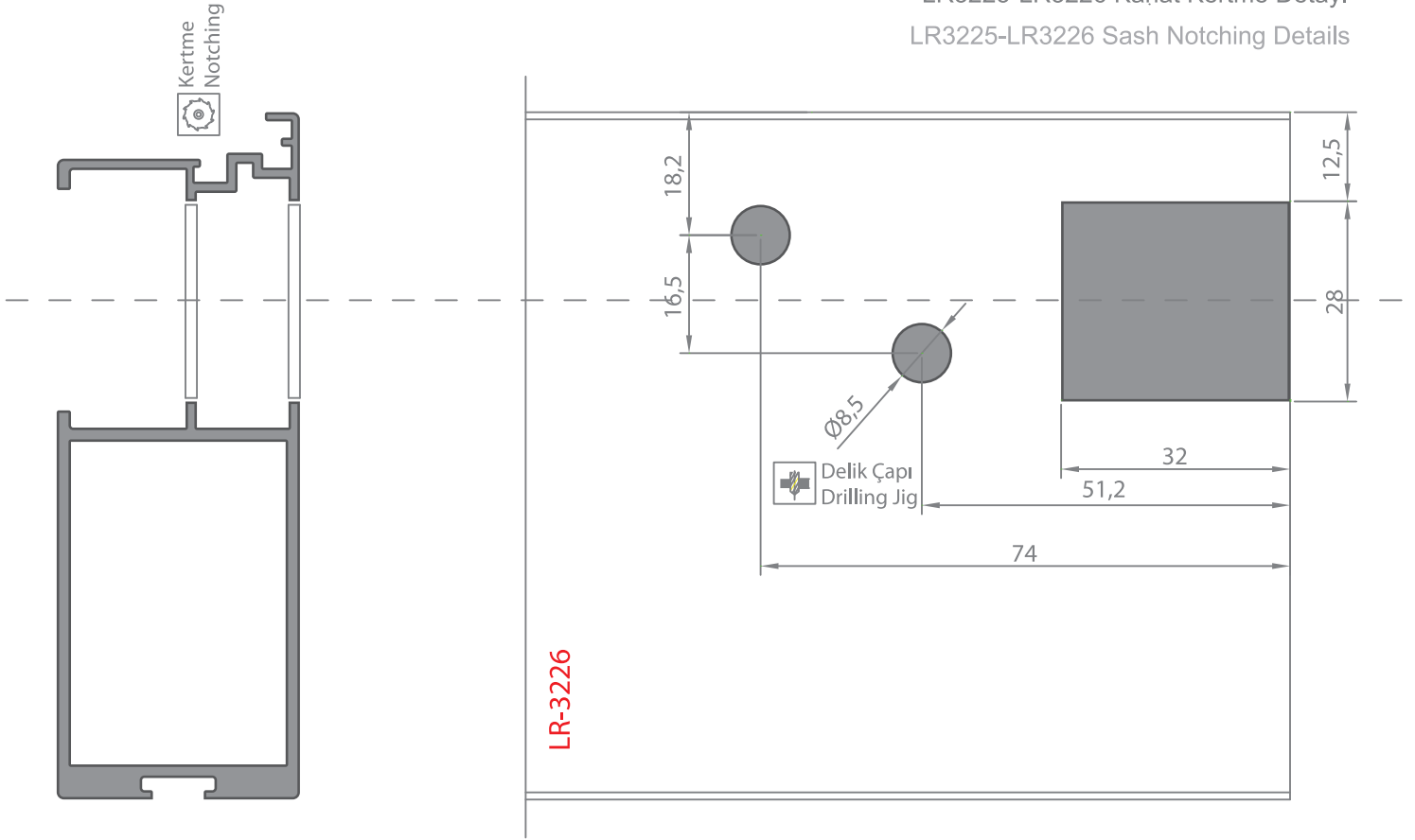


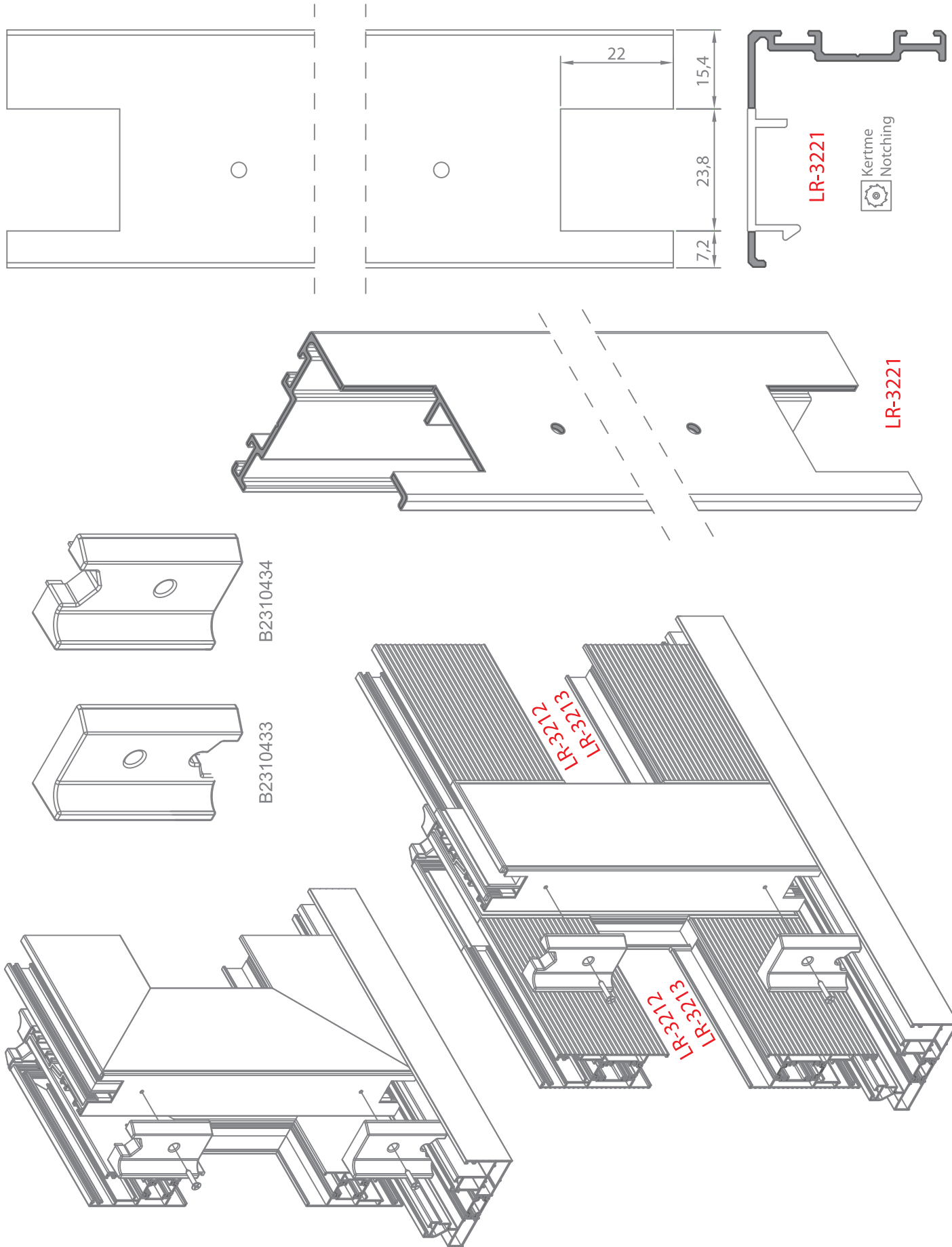
Ölçek: 1:1
Scale: 1:1

LR3217-LR3218 Kanat Kertme Detayı
LR3217-LR3218 Sash Notching DetailsÖlçek: 1:1
Scale: 1:1

LR3215-LR3216 Kanat Kertme Detayı
LR3215-LR3216 Sash Notching Details

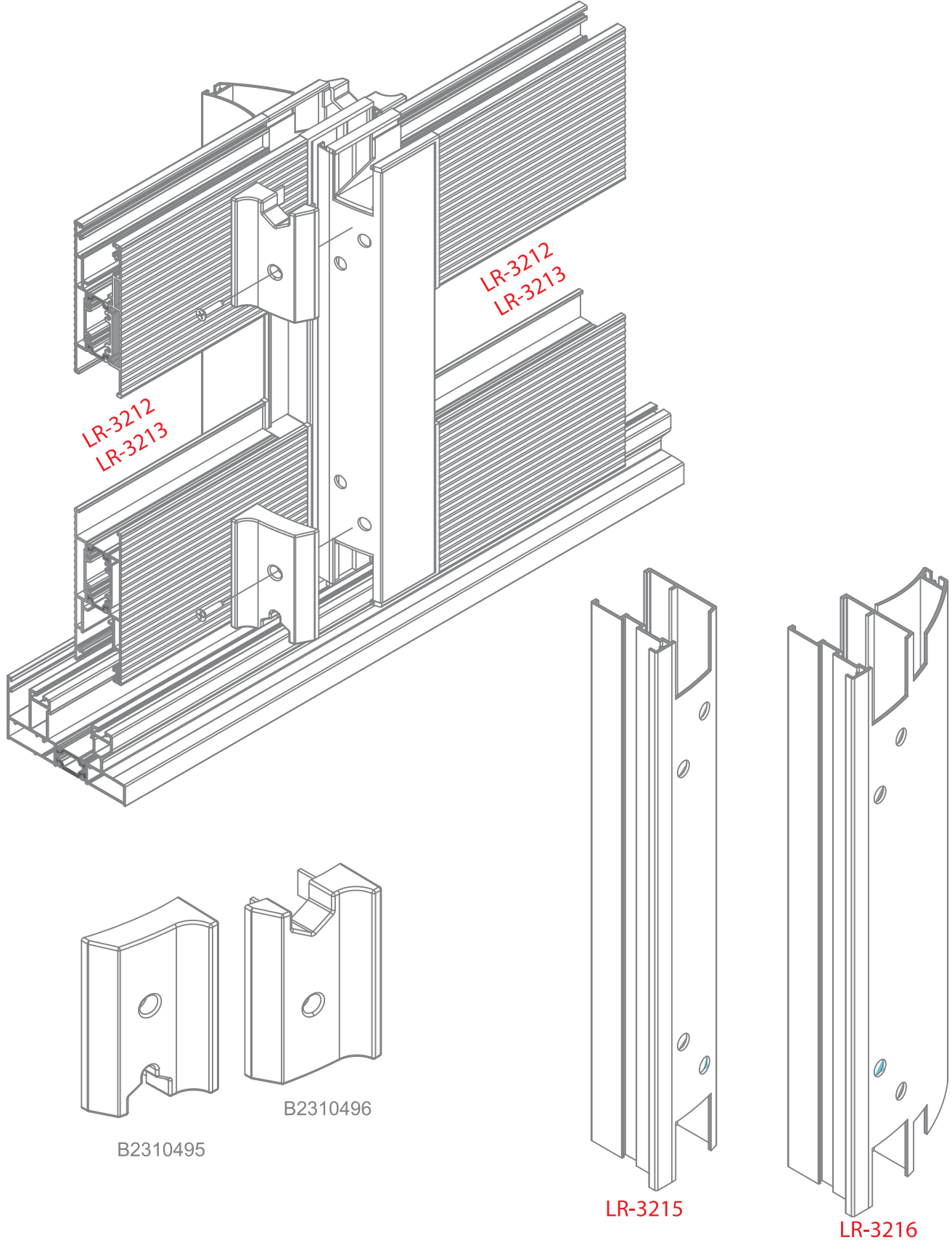
Ölçek: 1:1
Scale: 1:1

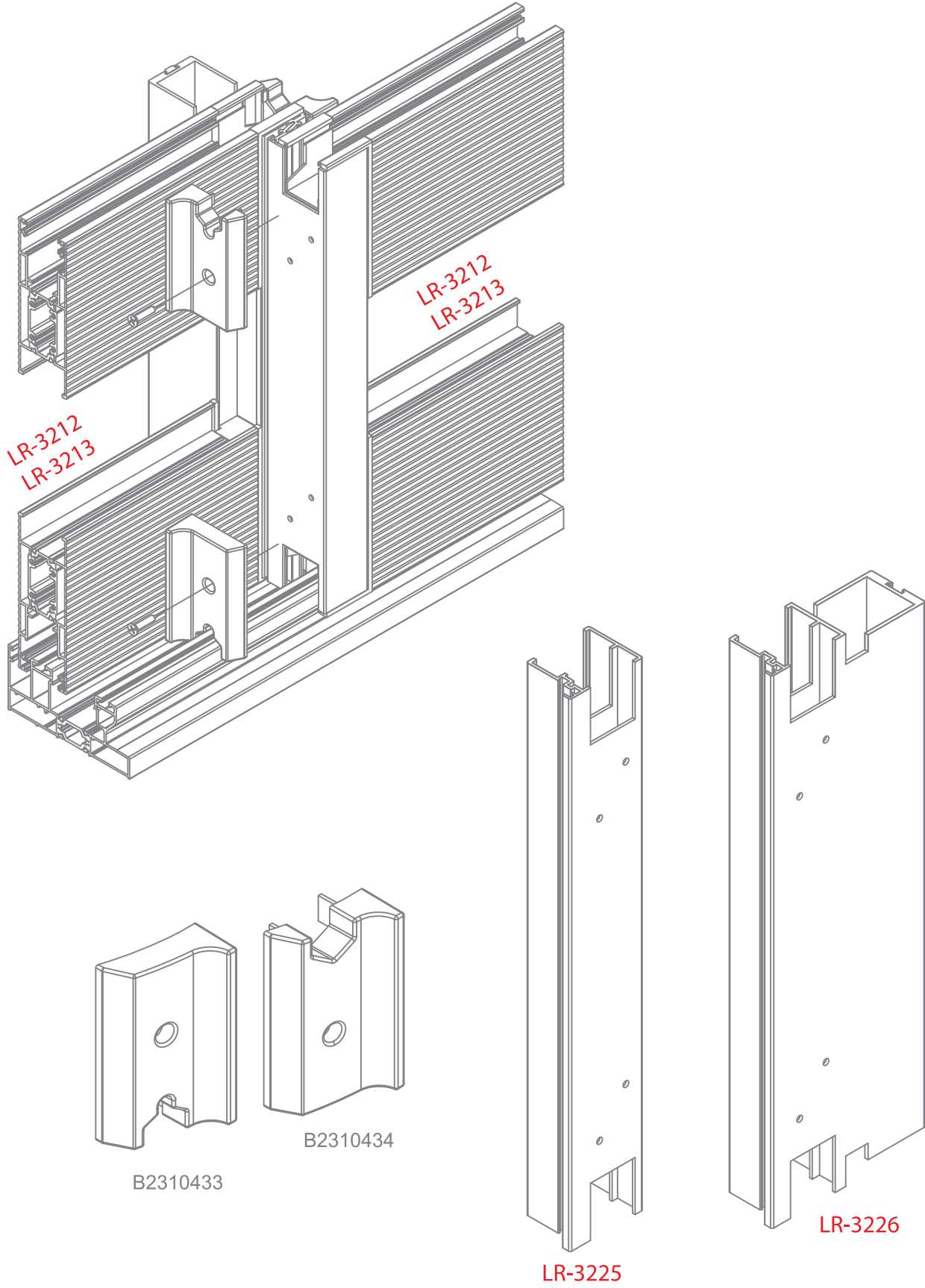
LR3225-LR3226 Kanat Kertme Detayı
LR3225-LR3226 Sash Notching DetailsÖlçek: 1:1
Scale: 1:1

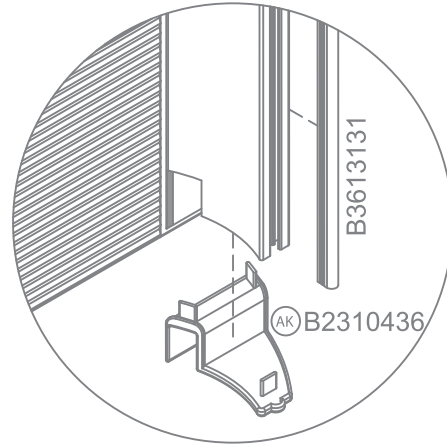
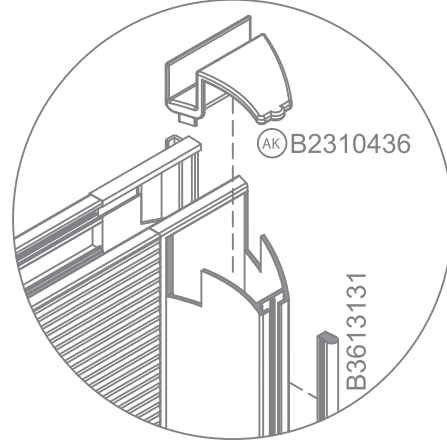
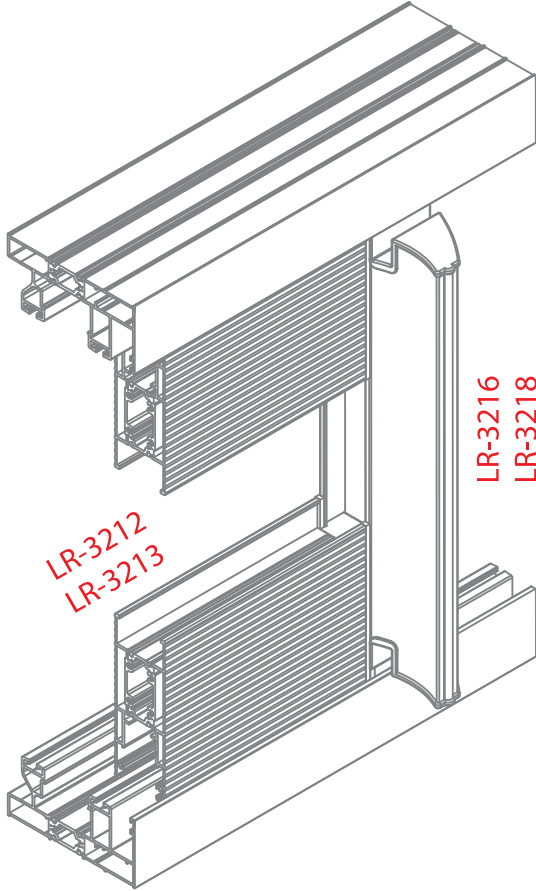
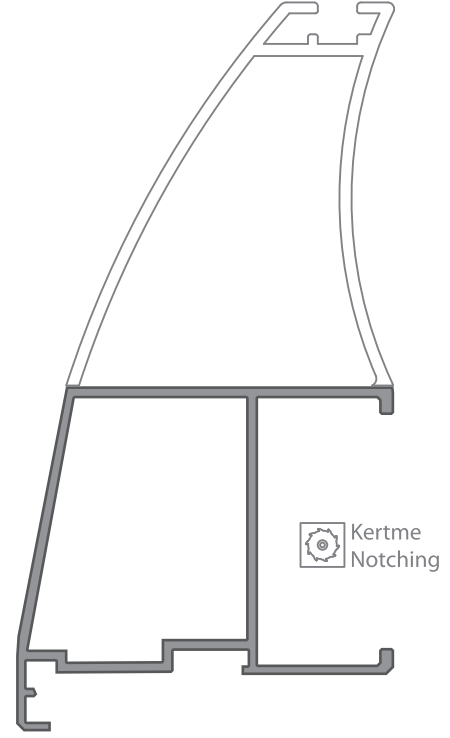
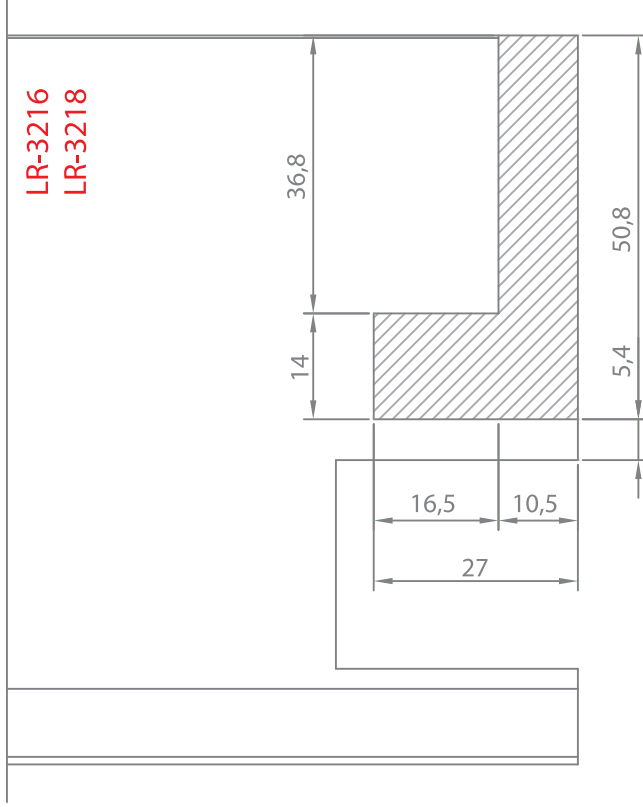
LR3221 Kenet Adaptör Kapağı Montaj Detayı
LR3221 Sash End Cap Assembly Details

LR3215 - LR3216 Kanat Adaptör Kapağı Montaj Detayı

LR3215-LR3216 Sash End Cap Assembly Details



LR3225 - LR3226 Kanat Adaptör Kapağı Montaj Detayı
LR3225-LR3226 Sash end Cap Assembly Details

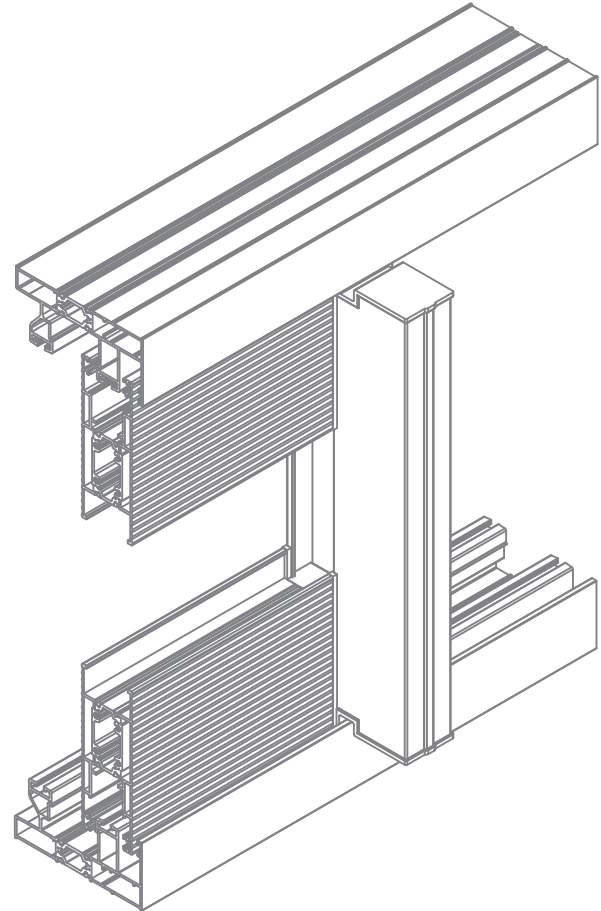
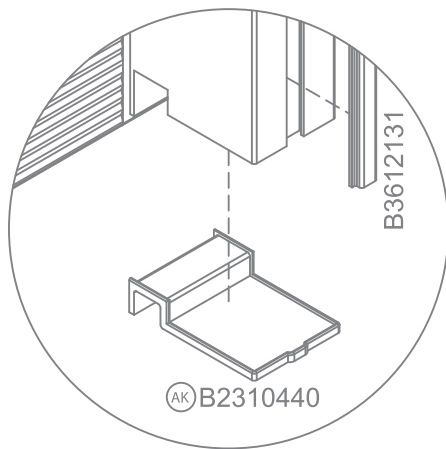
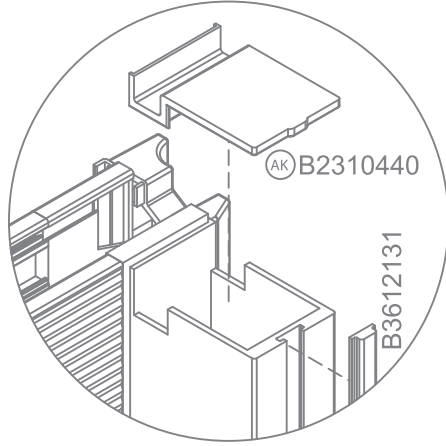
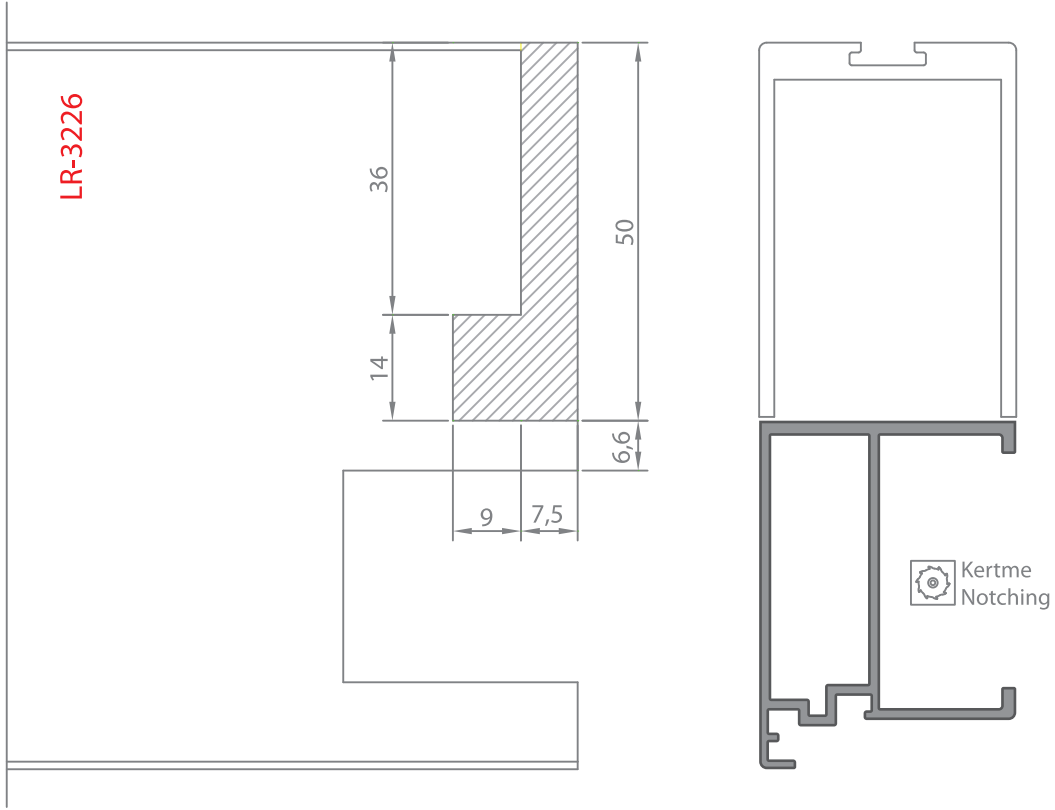
LR3216-LR3218 Kulp Kertme Detayı
LR3216-LR3218 Notching Details

LR3216 - LR3218 Kanat içerde ise B2310436 nolu kapak

LR3216 - LR3218 sash used inside, cap is B2310436

Ölçek: 1:1

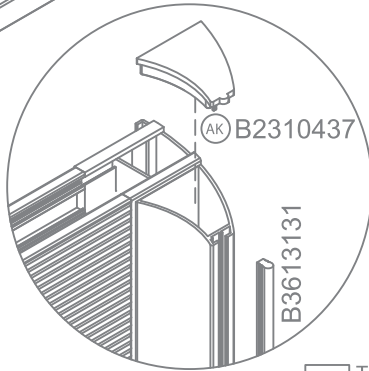
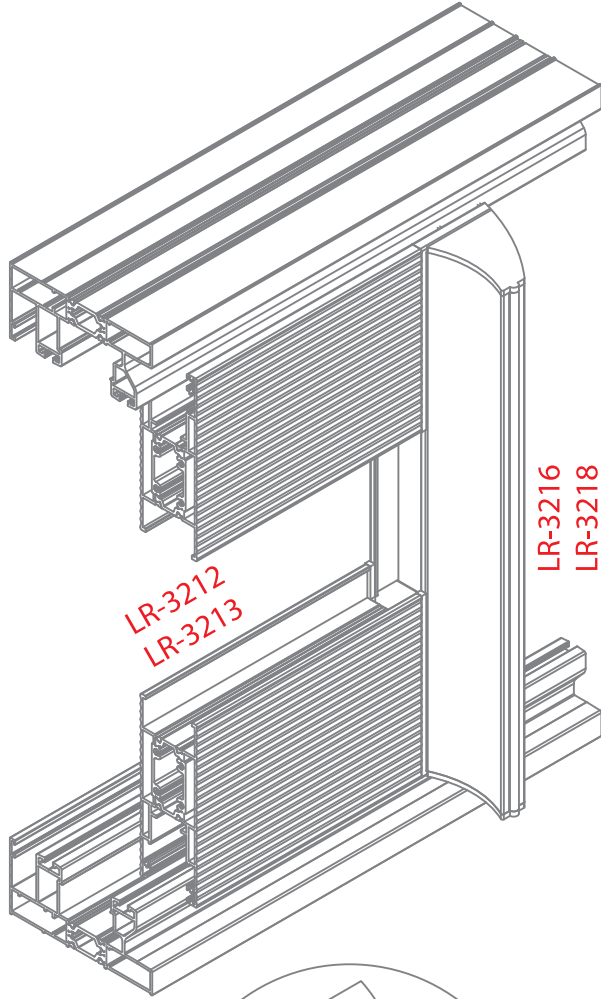
Scale: 1:1

LR3226 Kulp Kertme Detayı
LR3226 Notching Details

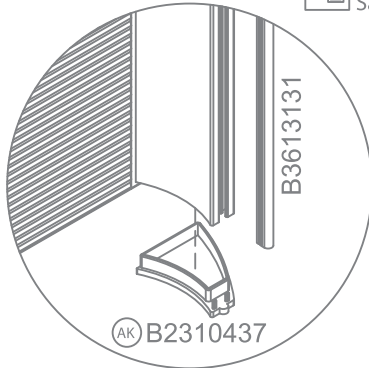
LR3226 Kanat içeride ise B2310440 nolu kapak
LR3226 sash used inside, cap is B2310440

Ölçek: 1:1
Scale: 1:1

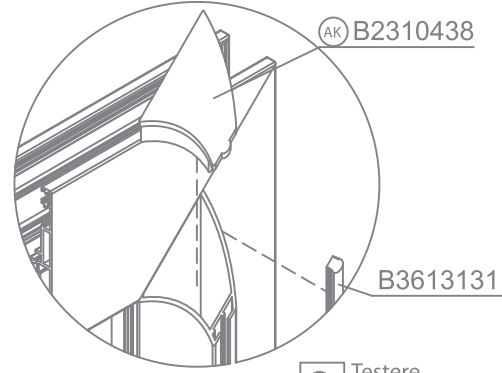
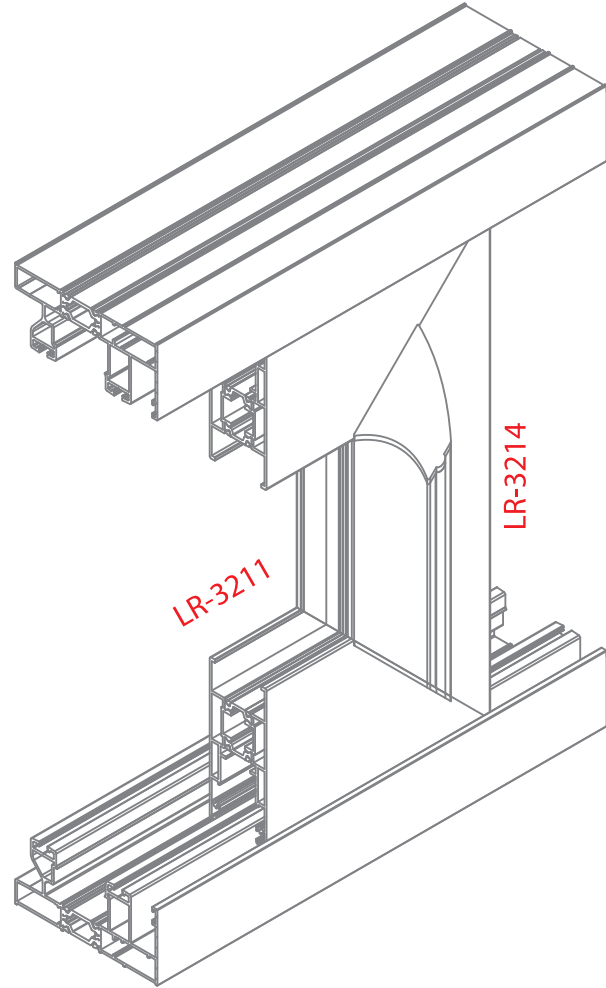
LR3216 - LR3218 Kanat dışarıda ise B2310437 nolu kapak
LR3216 - LR3218 sash used outside, cap is B2310437



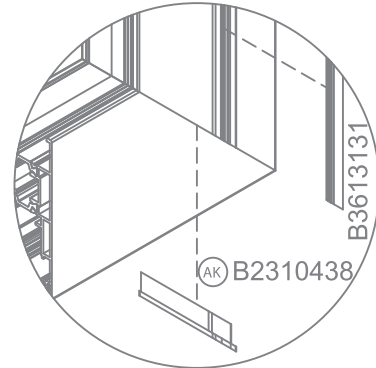
Testere
Saw



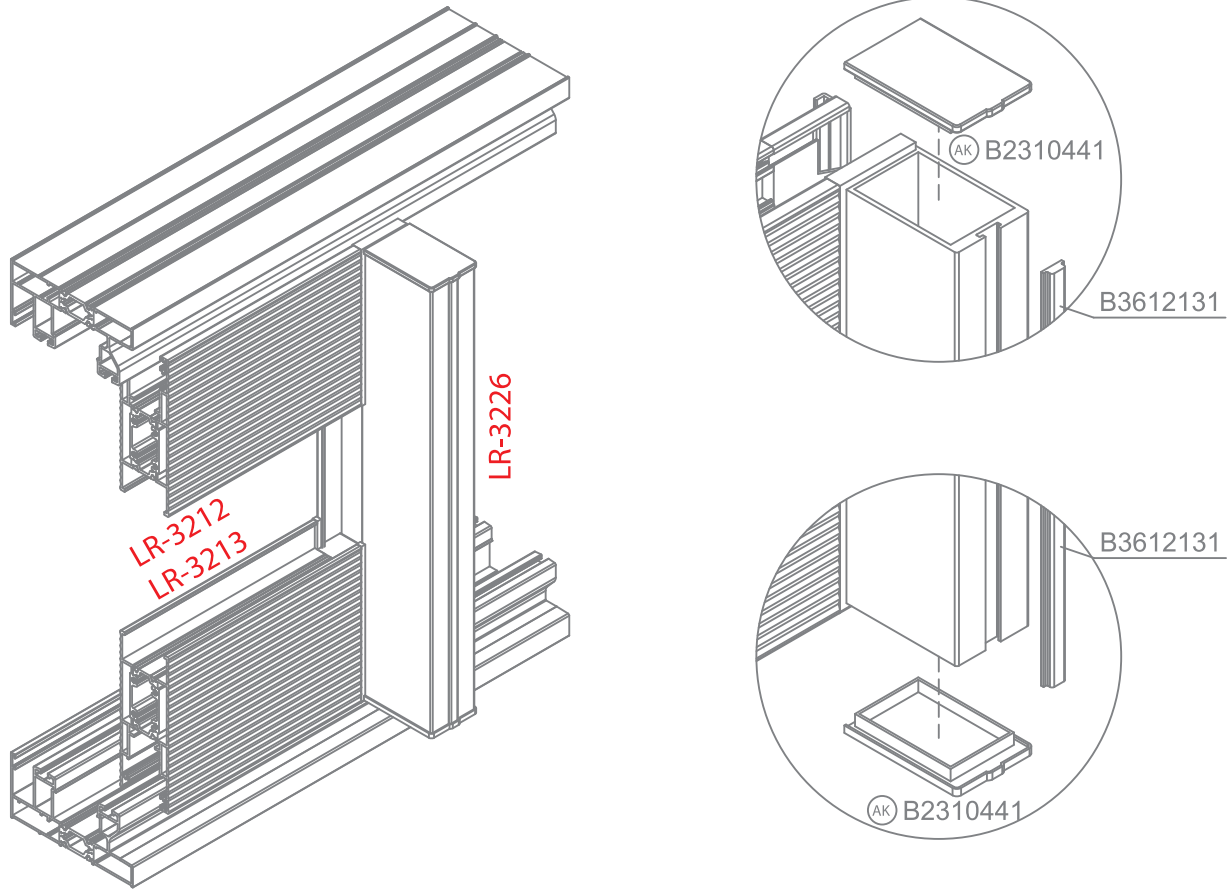
LR3214 Kanat dışarıda veya içeride ise B2310438 nolu kapak
LR3214 Sash used inside or outside, cap is B2310438



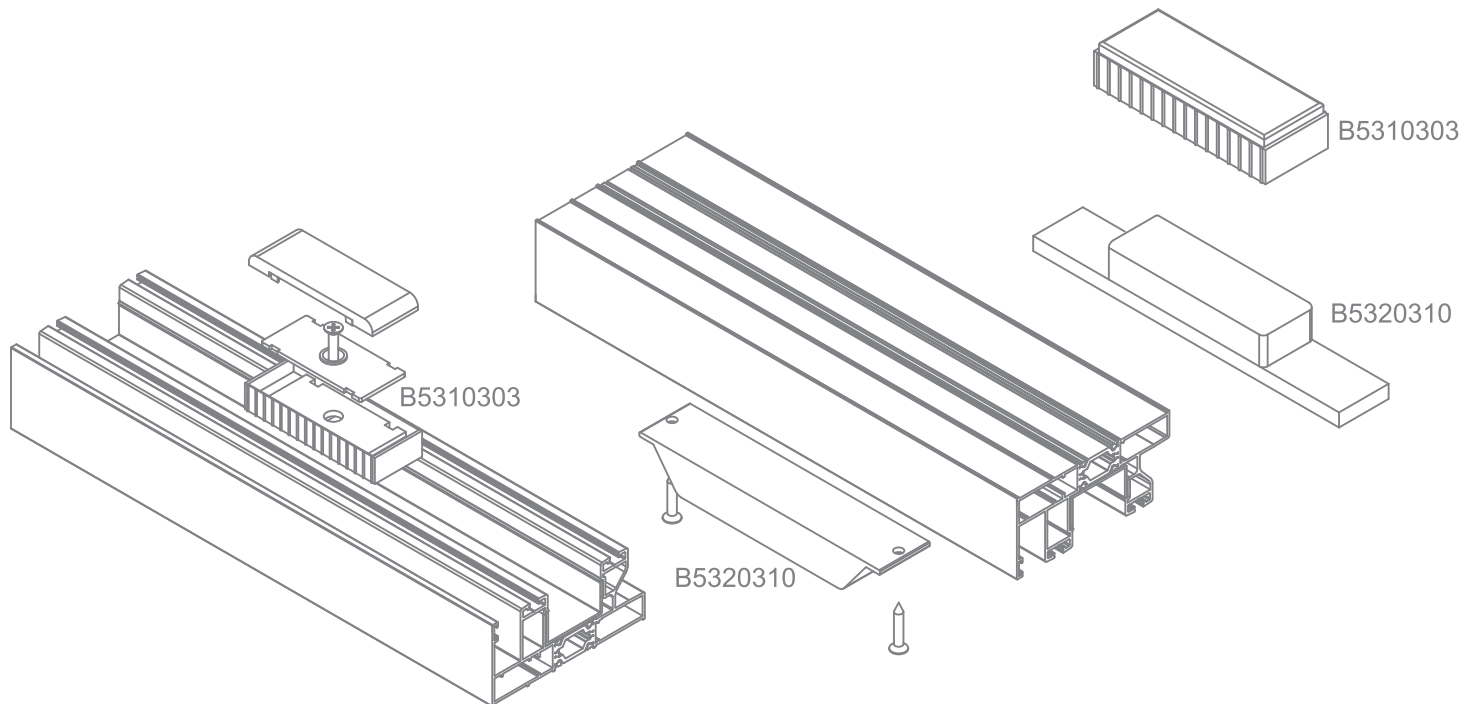
Testere
Saw

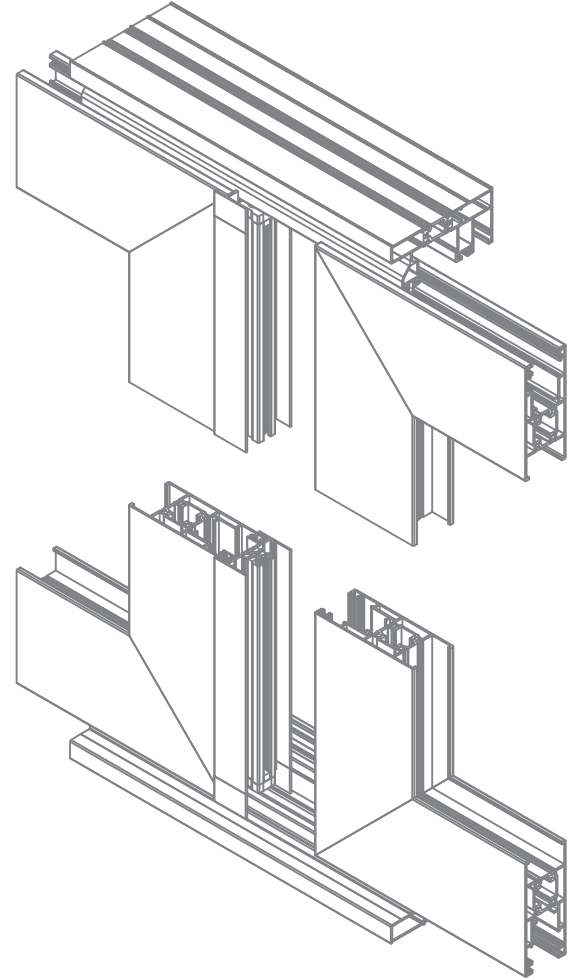
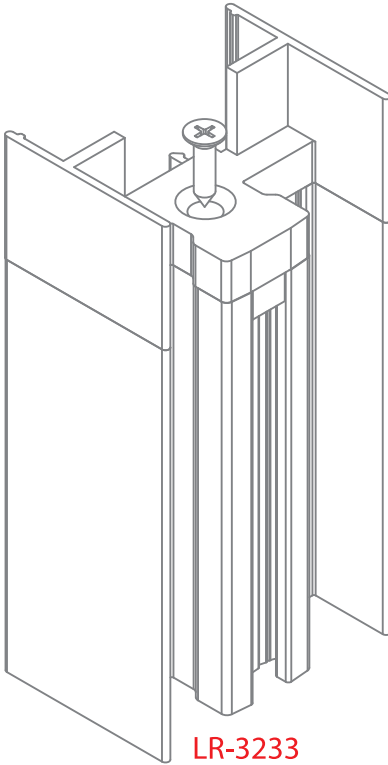
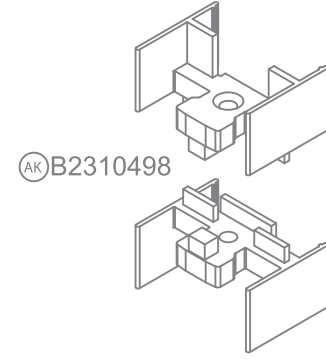
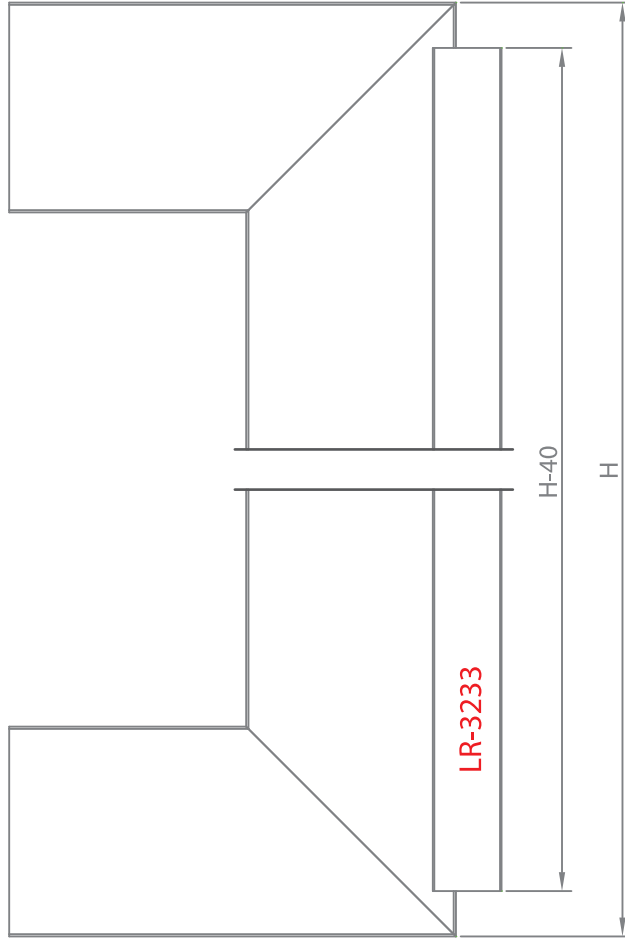


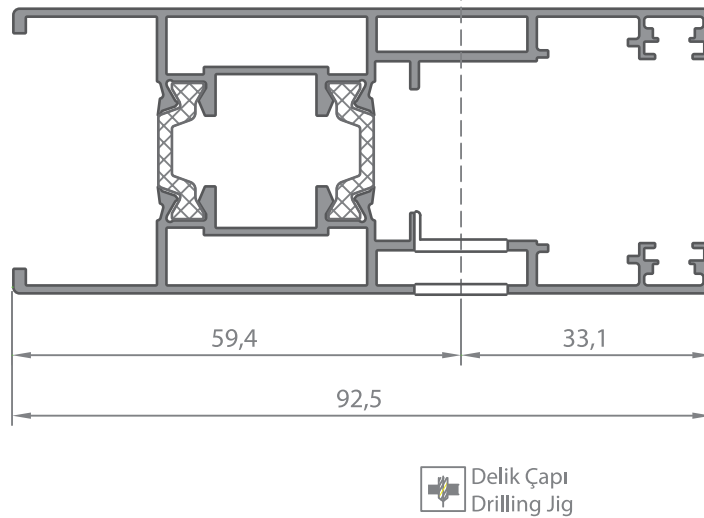
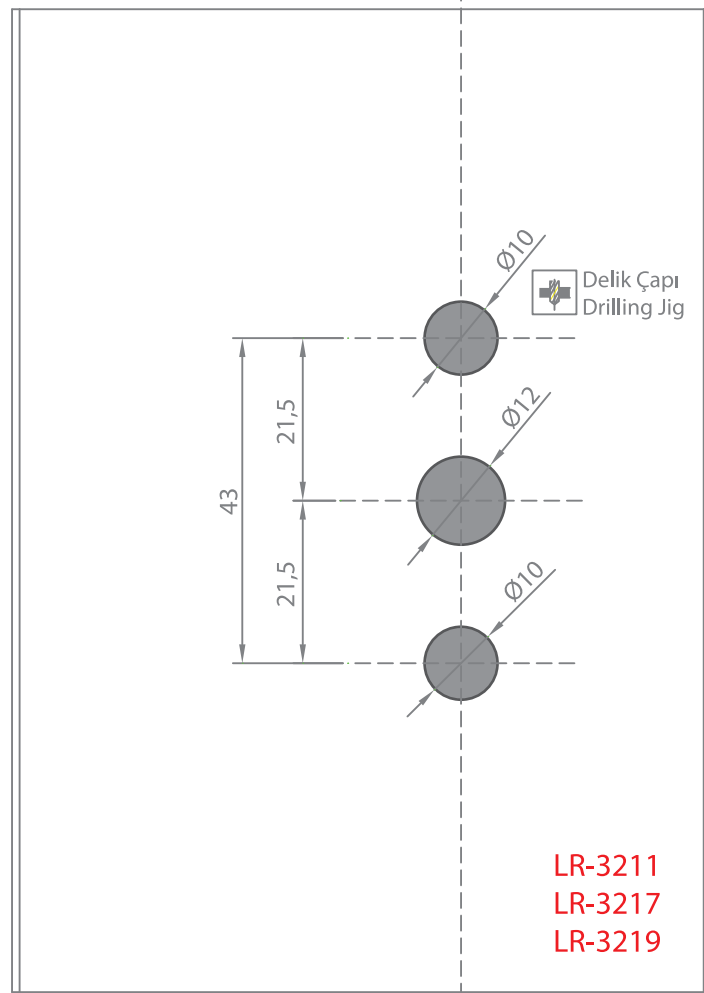
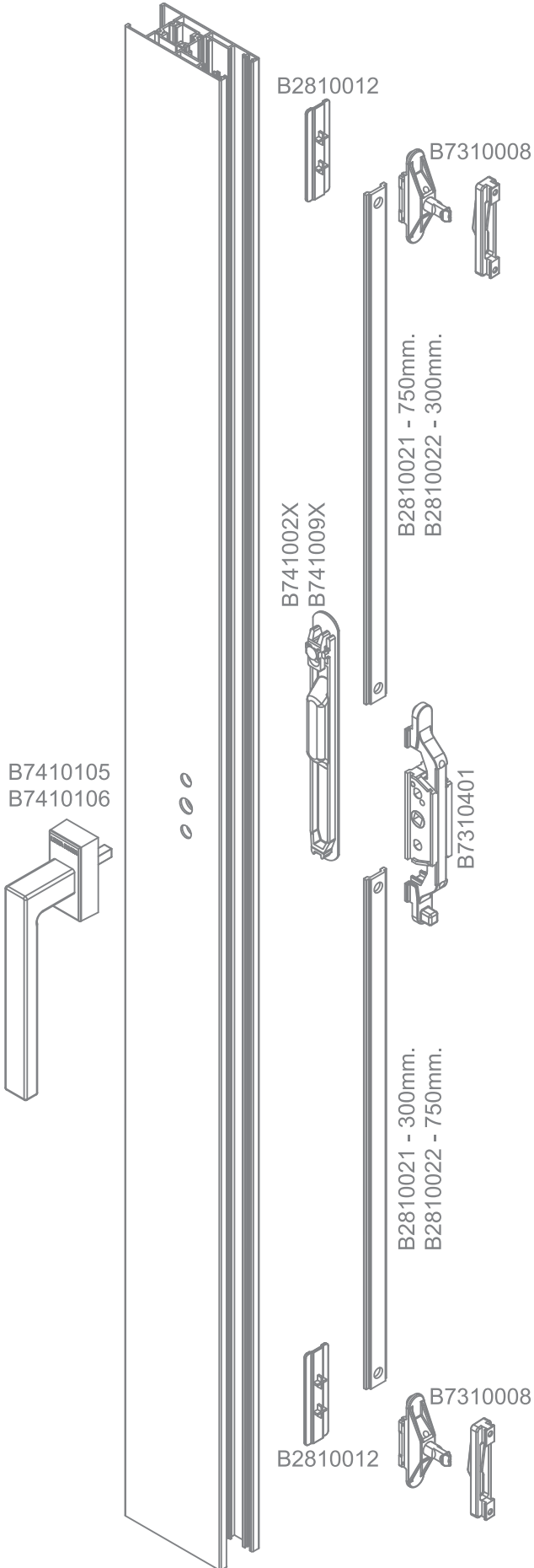
LR3226 Kanat dışarıda ise B2310441 nolu kapak
LR3226 sash used outside, cap is B2310441

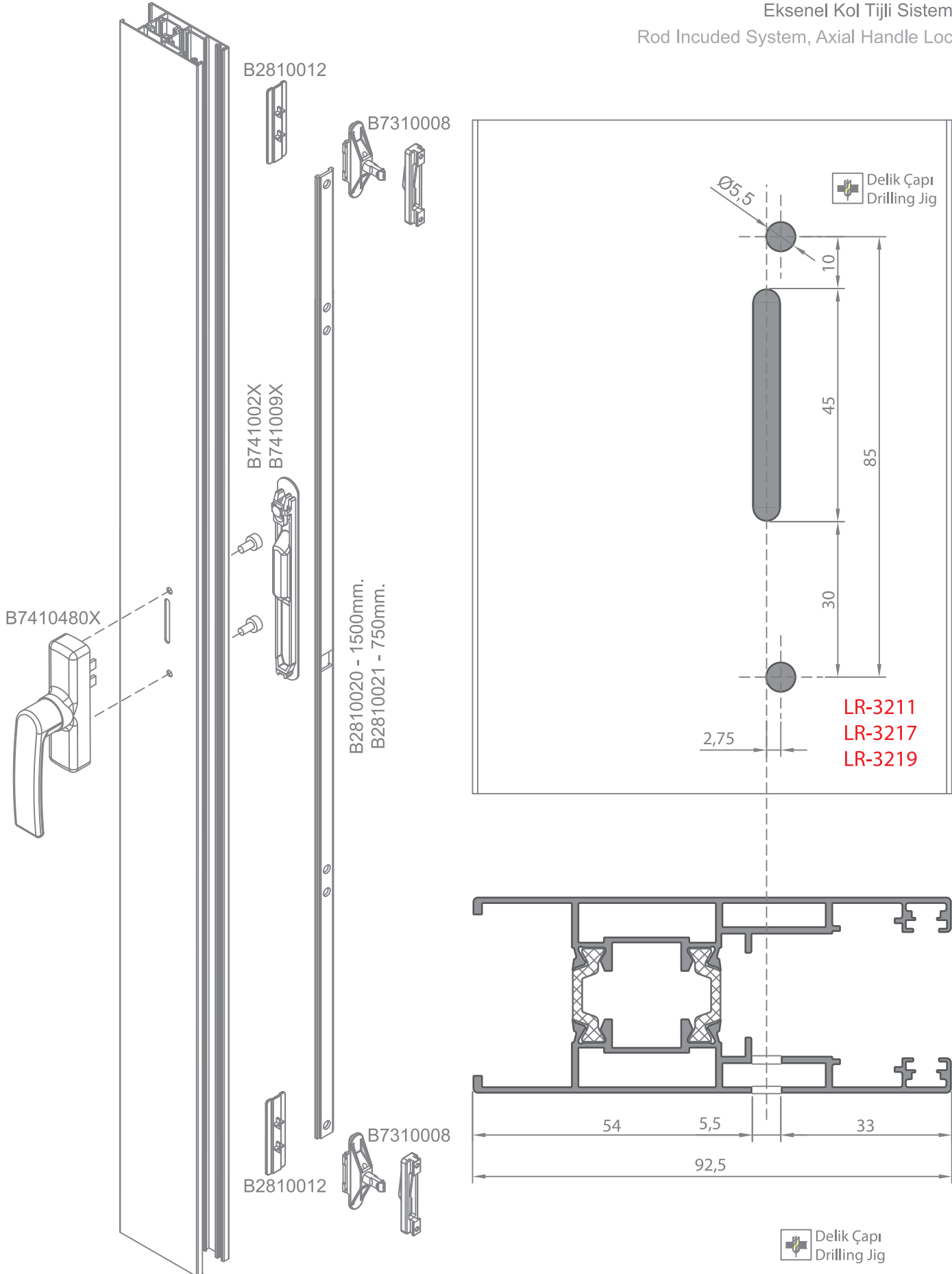


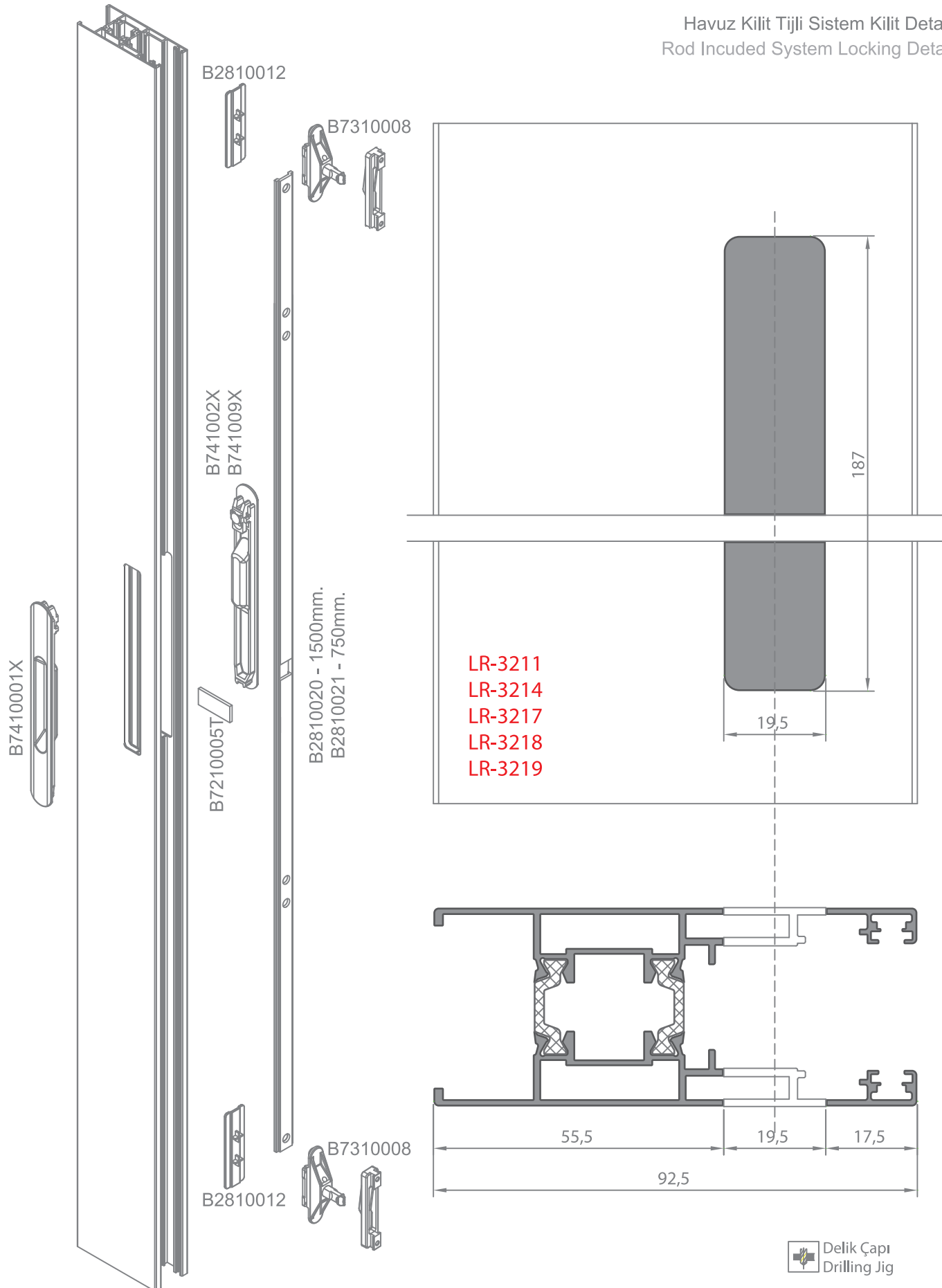
Alt - Üst Tozluk Montaj Detayı Bottom-Top Sealing Assembly Details



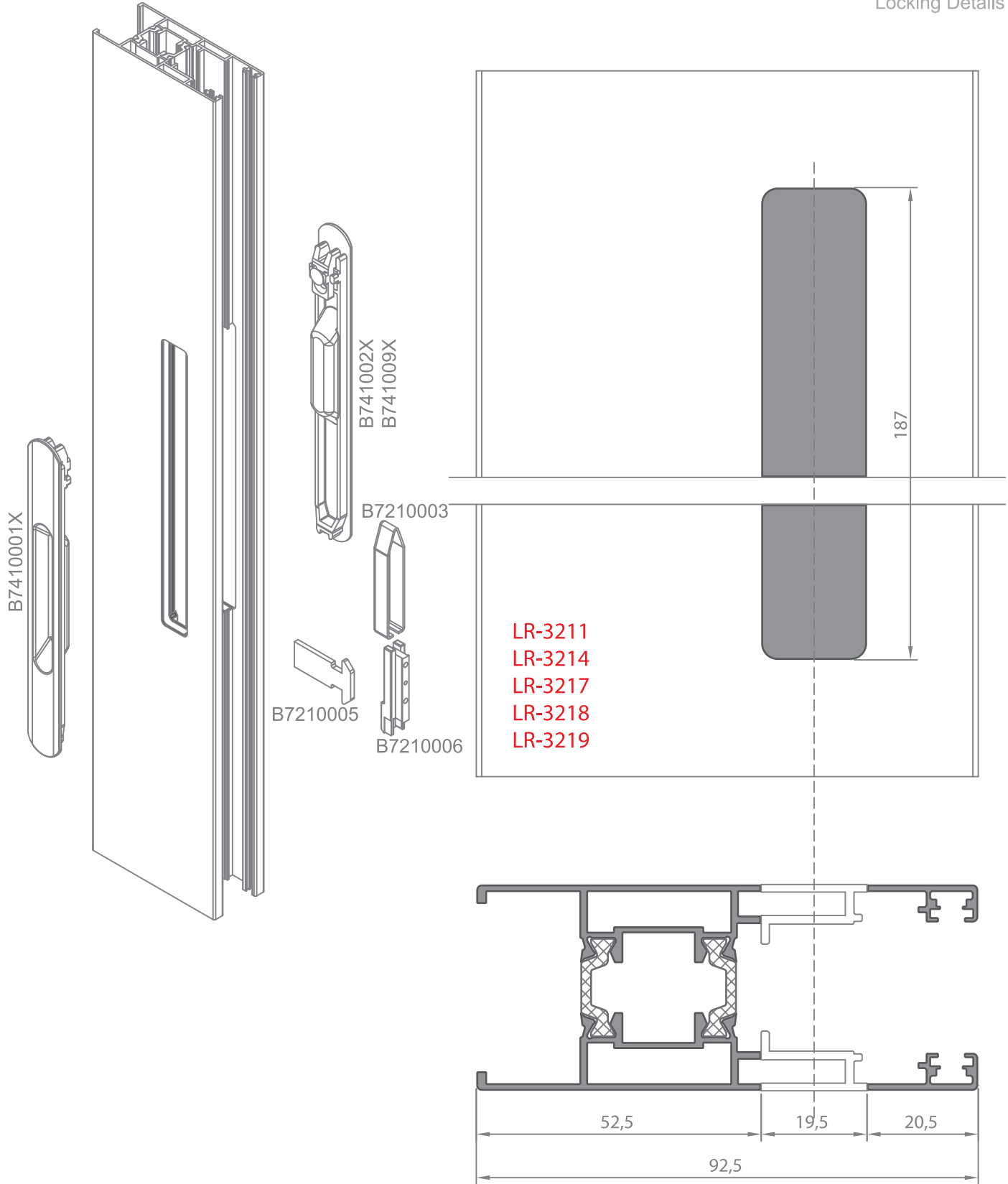
LR3233 Orta Adaptör Kapağı Montaj Detayı
LR3233 Central Adapter Cap Assembly Details

Secustik Kol Tijli Sistem Kilit Detayı
Rod Included System, secustik Handle Locking DetailsÖlçek: 1:1
Scale: 1:1

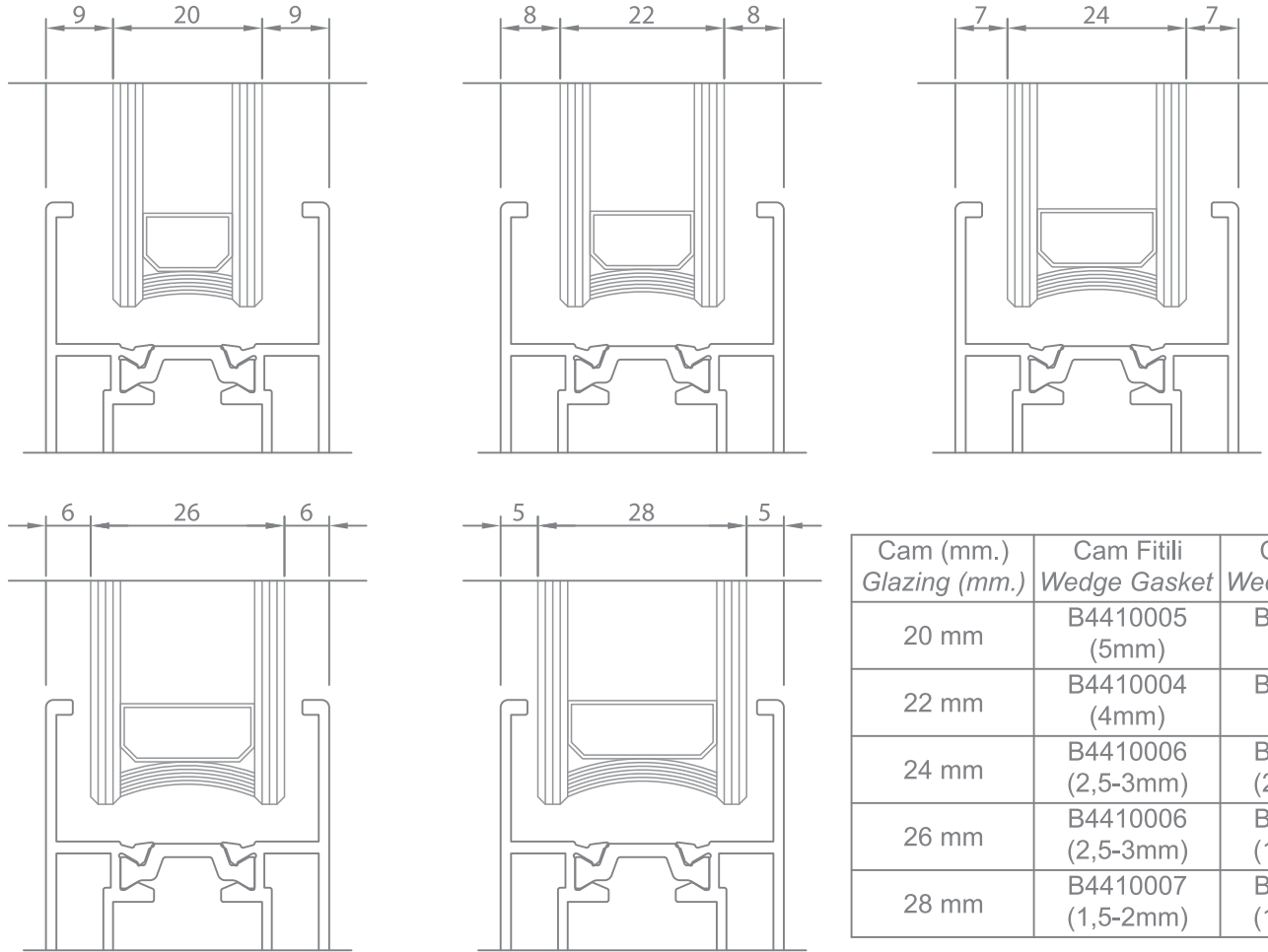
Eksenel Kol Tijli Sistem Kilit Detayı
Rod Included System, Axial Handle Locking DetailsÖlçek: 1:1
Scale: 1:1

Havuz Kilit Tijli Sistem Kilit Detayı
Rod Incuded System Locking Details

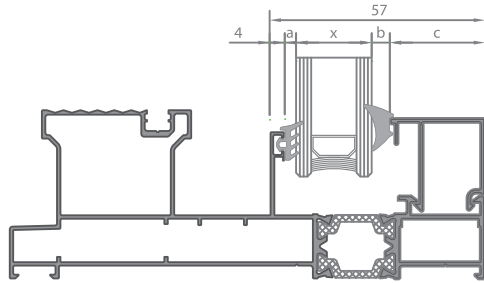
Ölçek: 1:1
Scale: 1:1

Havuz Kilit Detayı
Locking DetailsÖlçek: 1:1
Scale: 1:1

Cam - Glazing



Cam (mm.) Glazing (mm.)	Cam Fitili Wedge Gasket	Cam Fitili Wedge Gasket
20 mm	B4410005 (5mm)	B4410005 (5mm)
22 mm	B4410004 (4mm)	B4410004 (4mm)
24 mm	B4410006 (2,5-3mm)	B4410006 (2,5-3mm)
26 mm	B4410006 (2,5-3mm)	B4410007 (1,5-2mm)
28 mm	B4410007 (1,5-2mm)	B4410007 (1,5-2mm)



Yukarıda verilen profil ve fitil ilişkileri teoriktir

The relation between profiles and gasket are theoretical as seen above

Cam fitillerinin yerine geçmesinde problem yaşanmaması için, bir numune üzerinde test ediniz.

Advice that inner gasket and glazing bead relation should be checked on a mock-up before

a \ b	Cam Çıtalari Glazing Bead				
	6 mm. B4410008	5 mm. B4410005	4 mm. B4410004	2,5-3 mm. B4410006	1,5-2 mm. B4410007
3 mm. Dış Cam Fitili Insulating Gasket B4410035 		20 mm.		22 mm.	 LR-4133
	20 mm.		22 mm.	24 mm.	 LR-4532
	26 mm.		28 mm.		 LR-4135

LINEAROSSA®

LR3200
SLIDING SYSTEM

AKSESUARLAR ACCESSORIES

PH Plastik Hizalama
Plastic Corner Alignment

KH Krom Hizalama
Chrome Corner Alignment

DB Dik Bağlantı
Transom-Mullion Cleat

AK Adaptör Kapağı
Adapter Cap

PT Pres Takoz
Corner Cleat Profile

VT Vidalı Takoz
Corner Spring

Kertme
Notching

Takoz Punch
Manual Punch

Köşe Pres
Press Tool

Testere
Saw

Hızlı Yapıştırıcı
Adhesive

Slikon
Sealant

Tokmak
Mallet

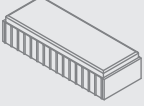
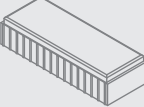
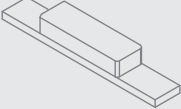
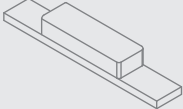

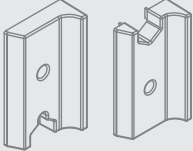
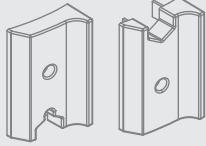




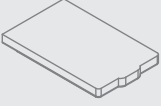
Falçata
Curved Knife

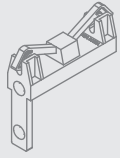
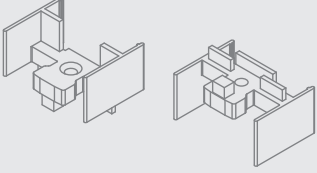



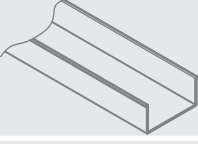
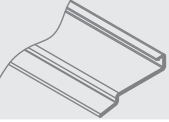
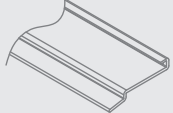
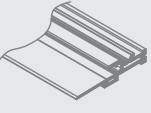
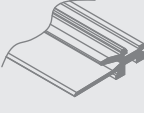



Ambalaj Miktarı
Packing Unit

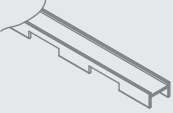
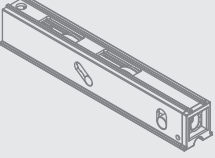
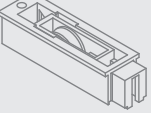
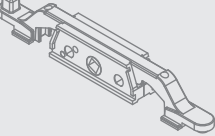
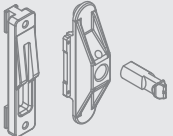
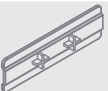




Delik Çapı
Drilling Jig

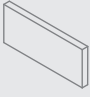

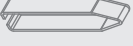
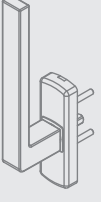


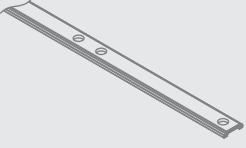






Yalıtım Bantı
Insulation Tape

Aksesuarlar Accessories	Aksesuar Kodu Nr of Accessories	Malzeme Türü Material	Açıklama Description	Kullanıldığı Profil
	B3311190 (VT)	Döküm Cast	Vidalı Köşe Bağlantı Takozu Screwed Corner Cleat	LR-3203
	B3311260 (VT)	Döküm Cast	Vidalı Köşe Bağlantı Takozu Screwed Corner Cleat	LR-3201, LR-3202, LR-3207 LR-3208, LR-3223, LR-3224
	B3111266 (PT)	Alüminyum Aluminum	Pres Köşe Bağlantı Takozu Corner Cleat	LR-3201, LR-3202, LR-3207 LR-3208, LR-3223, LR-3224
	B3111194 (PT)	Alüminyum Aluminum	Pres Köşe Bağlantı Takozu Corner Cleat	LR-3203
	B3115215 (VT)	Alüminyum Aluminum	Vidalı Köşe Bağlantı Takozu Screwed Corner Cleat	LR-3211, LR-3219 LR-3214
	B3311224 (VT)	Döküm Cast	Vidalı Köşe Bağlantı Takozu Screwed Corner Cleat	LR-3520
	B2610418	PVC	90° Köşe Geniş Köşe Bağlantı 90° Wing Corner Wide Joints	LR-3217, LR-3218, LR-3212 LR-3213, LR-3225, LR-3226
	B2610419	PVC	90° Köşe Dar Köşe Bağlantı 90° Wing Corner Narrow Joints	LR-3215, LR-3216, LR-3212 LR-3213, LR-3225, LR-3226
	B2110494 (PH)	PVC	45° Kanat Köşe Hizalama 45° Corner Alignment	LR-3211, LR-3219 LR-3214
	B2110404 (KH)	Krom Chromium	45° Kanat Köşe Hizalama 45° Corner Alignment	LR-3211, LR-3219 LR-3214
	B2114151 (PH)	PVC	Pervaz Köşe Hizalama Armature Corner Alignment	LR-4151, LR-4152 LR-4153
	B2310465	PVC	Tekli Kasa Kapak Klipsi Single Rail Adapter Clip	LR-3203

Aksesuarlar Accessories	Aksesuar Kodu Nr of Accessories	Malzeme Türü Material	Açıklama Description	Kullanıldığı Profil
	B5310303	PVC	Kasa Alt Tozluk Central Bottom Sealing	LR-3201, LR-3202, LR-3207 LR-3208, LR-3223, LR-3224
	B5310306	PVC	Kasa Alt Tozluk Central Bottom Sealing	LR-3203
	B5310308	PU Sünger PU Foam	Kasa Üst Tozluk Central Top Sealing	LR-3201, LR-3202, LR-3207 LR-3208, LR-3223, LR-3224
	B5320318	PU Sünger PU Foam	Kasa Üst Tozluk Central Top Sealing	LR-3203
	B5410461	PVC	Kanat Sabitleme Takozu Sash Fixing Part	LR-3211, LR3212, LR-3213, LR-3214, LR-3217, LR-3218, LR-3219
	B2310433	PVC	Kenetli Adaptör Kapağı Alt End Cap Bottom	LR-3221, LR-3225 LR-3226
	B2310434		Kenetli Adaptör Kapağı Üst End Cap Top	LR-3221, LR-3225 LR-3226
	B2310495	PVC	İnce Kenet Adaptör Kapağı Alt End Cap Bottom	LR-3215, LR-3516
	B2310496		İnce Kenet Adaptör Kapağı Üst End Cap Top	LR-3215, LR-3516
	B2310436 <small>AK</small>	PVC	90° Kertmeli Kulp Kapağı 90° Notched Sash End Cap	LR-3216, LR-3218
	B2310437 <small>AK</small>	PVC	90° Düz Kulp Kapağı 90° Sash End Cap	LR-3216, LR-3218
	B2310438 <small>AK</small>	PVC	45° Kulp Kapağı 45° Sash End Cap	LR-3214
	B2310440 <small>AK</small>	PVC	90° Kertmeli Kulp Kapağı 90° Notched Sash End Cap	LR-3226
	B2310441 <small>AK</small>	PVC	90° Düz Kulp Kapağı 90° Sash End Cap	LR-3226

Aksesuarlar Accessories	Aksesuar Kodu Nr of Accessories	Malzeme Türü Material	Açıklama Description	Kullanıldığı Profil
	B2210497	PVC	Sallantı Engelleyici Sash Spacer	LR-3211, LR-3214, LR-3217 LR-3218, LR-3219
	B2310463 (AK)	PVC	Orta Adaptör Kapağı Central End Cap For Sashes	LR-3233
	B2210424	PVC	Kanat Stoplama Adaptörü Sash Stoper Adapter	LR-3211, LR-3214, LR-3217 LR-3218, LR-3219
	B2210426	PVC	Lastik Kanat Stoperi Rubber Stop For Sash	LR-3211, LR-3214, LR-3217 LR-3218, LR-3219
	B5640023	PVC	Sineklik Kanat Stoplama Sash Flyscreen Stoper	LR-3520
	B5110351	PVC	Kanal "U" Plastiği Plastic Cover For Frame (6 mt.)	LR-3201, LR-3202, LR-3207 LR-3208, LR-3223, LR-3224
	B5210366	PVC	Kanat Kenetleme Plastiği Locking Adapter Plastic (2,5 mt.)	LR-3211, LR-3214, LR-3217 LR-3218, LR-3219
	B5210360	PVC	Kanat Kenetleme Plastiği Locking Adapter Plastic (2,5 mt.)	LR-3532
	B5210367	PVC	Kanat Kenetleme Plastiği Locking Adapter Plastic (2,5 mt.)	LR-3215, LR-3216
	B5210362	PVC	Kanat Kenetleme Plastiği Locking Adapter Plastic (2,5 mt.)	LR-3225, LR-3226
	B5611214	Krom Chromium	Paslanmaz Çelik Ray Stainless Steel Driver (3,5 mt.)	LR-3201, LR-3202, LR-3207 LR-3208, LR-3223, LR-3224
	B3613131	Alüminyum Aluminum	Dekoratif Kulp Çıtası Decorative Trim RAL 3020 (4,8 mt.)	LR-3214, LR-3216 LR-3218
	B3612131	Alüminyum Aluminum	Dekoratif Kulp Çıtası Decorative Trim RAL 3020 (4,8 mt.)	LR-3226

Aksesuarlar Accessories	Aksesuar Kodu Nr of Accessories	Malzeme Türü Material	Açıklama Description	Kullanıldığı Profil
	B3110897	Alüminyum Aluminum	Kasa Destek Profili Support Profile (6 mt.)	LR-3207, LR-3208, LR-3223 LR-3224
	B1110209	Alüminyum Aluminum	Ayarlı Kanat Rulman Sliding And Ad. Carriage	LR-3211, LR-3212, LR-3213 LR-3219
	B1120207	PVC	Ayarlı Sineklik Rulman Single Flyscreen Roller	LR-3520
	B7310401	Döküm Cast	Kollu Kilit Mekanizması Inside Handle Mechanism	LR-3211, LR-3217 LR-3219
	B7310008	Döküm Cast	Kilitleme Aparatı Locking Device	LR-3211, LR-3214, LR-3217 LR-3218, LR-3219
	B2810012	PVC	Kilitleme Aparatı Yükseltme Lock Apparatus Lifting	LR-3211, LR-3214, LR-3217 LR-3218, LR-3219
	B741001B	Alüminyum Aluminum	Havuz Kilit (Beyaz) Sliding Locking Handle (White)	LR-3211, LR-3214, LR-3217 LR-3218, LR-3219
	B741001S	Alüminyum Aluminum	Havuz Kilit (Siyah) Sliding Locking Handle (Black)	LR-3211, LR-3214, LR-3217 LR-3218, LR-3219
	B741001G	Alüminyum Aluminum	Havuz Kilit (Naturel) Sliding Locking Handle (Natural)	LR-3211, LR-3214, LR-3217 LR-3218, LR-3219
	B741001R	Alüminyum Aluminum	Havuz Kilit (Renkli) Sliding Locking Handle (Colored)	LR-3211, LR-3214, LR-3217 LR-3218, LR-3219
	B741002B	Alüminyum Aluminum	Havuz Arkalık (Beyaz) Sliding Handle Back (White)	LR-3211, LR-3214, LR-3217 LR-3218, LR-3219
	B741002S	Alüminyum Aluminum	Havuz Arkalık (Siyah) Sliding Handle Back (Black)	LR-3211, LR-3214, LR-3217 LR-3218, LR-3219
	B741002G	Alüminyum Aluminum	Havuz Arkalık (Naturel) Sliding Handle Back (Natural)	LR-3211, LR-3214, LR-3217 LR-3218, LR-3219
	B741002R	Alüminyum Aluminum	Havuz Arkalık (Renkli) Sliding Handle Back (Colored)	LR-3211, LR-3214, LR-3217 LR-3218, LR-3219
	B741009B	Döküm Cast	Havuz Arkalık (Beyaz) Sliding Handle Back (White)	LR-3211, LR-3214, LR-3217 LR-3218, LR-3219
	B741009S	Döküm Cast	Havuz Arkalık (Siyah) Sliding Handle Back (Black)	LR-3211, LR-3214, LR-3217 LR-3218, LR-3219
	B741009G	Döküm Cast	Havuz Arkalık (Naturel) Sliding Handle Back (Natural)	LR-3211, LR-3214, LR-3217 LR-3218, LR-3219
	B741009R	Döküm Cast	Havuz Arkalık (Renkli) Sliding Handle Back (Colored)	LR-3211, LR-3214, LR-3217 LR-3218, LR-3219
	B7210005	Krom Chromium	Kilit Dili Lock Bolt	LR-3211, LR-3214, LR-3217 LR-3218, LR-3219

Aksesuarlar Accessories	Aksesuar Kodu Nr of Accessories	Malzeme Türü Material	Açıklama Description	Kullanıldığı Profil
	B7210005T	Krom Chromium	Kilit Dili Lock Bolt	LR-3211, LR-3217 LR-3219
	B7210006	Döküm Cast	Kilit Karşılık Lock Spacer	LR-3211, LR-3214, LR-3217 LR-3218, LR-3219
	B7210003	PVC	Kilit Karşılık Kapağı Spacer Cover	LR-3211, LR-3214, LR-3217 LR-3218, LR-3219
	B6227003	Alüminyum Aluminum	Giesse Kora Kol (Naturel) Giesse Kora Handle (Natural)	LR-3211, LR-3217 LR-3219
	B6227004	Alüminyum Aluminum	Giesse Kora Kol (Beyaz) Giesse Kora Handle (White)	LR-3211, LR-3217 LR-3219
	B6227005	Alüminyum Aluminum	Giesse Kora Kol (Siyah) Giesse Kora Handle (Black)	LR-3211, LR-3217 LR-3219
	B7410105	Alüminyum Aluminum	Secustik Kol (Siyah) Secustik Handle (Black)	LR-3211, LR-3217 LR-3219
	B7410106	Alüminyum Aluminum	Secustik Kol (Naturel) Secustik Handle (Natural)	LR-3211, LR-3217 LR-3219
	B7410480B	Döküm Cast	Eksenel Kol (Beyaz) Cremone Handle (White)	LR-3211, LR-3217 LR-3219
	B7410480S	Döküm Cast	Eksenel Kol (Siyah) Cremone Handle (Black)	LR-3211, LR-3217 LR-3219
	B7410480G	Döküm Cast	Eksenel Kol (Naturel) Cremone Handle (Natural)	LR-3211, LR-3217 LR-3219
	B7410480R	Döküm Cast	Eksenel Kol (Renkli) Cremone Handle (Colored)	LR-3211, LR-3217 LR-3219
	B2810020	Polyamid Polyamide	1500 mm. Polyamid Tij 1500 mm. Polyamide Rod	LR-3211, LR-3214, LR-3217 LR-3218, LR-3219
	B2810021	Polyamid Polyamide	750 mm. Polyamid Tij 750 mm. Polyamide Rod	LR-3211, LR-3214, LR-3217 LR-3218, LR-3219
	B2810022	Polyamid Polyamide	300 mm. Polyamid Tij 300 mm. Polyamide Rod	LR-3211, LR-3214, LR-3217 LR-3218, LR-3219
	B2810039	Polyamid Polyamide	200 mt. Polyamid Tij 200 mt. Polyamide Rod	LR-3211, LR-3214, LR-3217 LR-3218, LR-3219
	B4711000	Polipropilen Polypropylene	67x550 Fırça Fitiil TRI-FIN 67x550 Sealing Brush TRI-FIN	1300 mt. 
	B4711001	Polipropilen Polypropylene	69x600 Fırça Fitiil TRI-FIN 69x600 Sealing Brush TRI-FIN	700 mt. 
	B4711002	Polipropilen Polypropylene	69x700 Fırça Fitiil TRI-FIN 69x700 Sealing Brush TRI-FIN	900 mt. 
	B4711004	Polipropilen Polypropylene	67x1100 Fırça Fitiil TRI-FIN 67x1100 Sealing Brush TRI-FIN	500 mt. 
	B4711005	Polipropilen Polypropylene	72x800 Fırça Fitiil TRI-FIN 72x800 Sealing Brush TRI-FIN	700 mt. 

Aksesuarlar Accessories	Aksesuar Kodu Nr of Accessories	Malzeme Türü Material	Açıklama Description	Kullanıldığı Profil
	B4612001	Polipropilen Polypropylene	67x550 Fırça Fitol 67x550 Sealing Brush	1400 mt. 
	B4612002	Polipropilen Polypropylene	67x600 Fırça Fitol 67x600 Sealing Brush	1300 mt. 
	B4612003	Polipropilen Polypropylene	67x650 Fırça Fitol 67x650 Sealing Brush	1100 mt. 
	B4612004	Polipropilen Polypropylene	67x700 Fırça Fitol 67x700 Sealing Brush	1100 mt. 
	B4612005	Polipropilen Polypropylene	72x800 Fırça Fitol 72x800 Sealing Brush	900 mt. 
	B4612006	Polipropilen Polypropylene	67x1000 Fırça Fitol 67x1000 Sealing Brush	500 mt. 
	B4210045	TPE TPE	Sürme Kanat Contası Sliding Sash Gasket	600 mt. 
	B4210035	EPDM EPDM	3 mm. Dış Cam Fitili 3 mm. Insulating Gasket	290 mt. 
	B4410007	EPDM EPDM	1,5-2 mm. Cam Fitili 1,5-2 mm. Wedge Gasket	255 mt. 
	B4410006	EPDM EPDM	2,5-3 mm. Cam Fitili 2,5-3 mm. Wedge Gasket	194 mt. 
	B4410004	EPDM EPDM	4 mm. Cam Fitili 4 mm. Wedge Gasket	166 mt. 
	B4410005	EPDM EPDM	5 mm. Cam Fitili 5 mm. Wedge Gasket	197 mt. 
	B4410008	EPDM EPDM	6 mm. Cam Fitili 6 mm. Wedge Gasket	120 mt. 
	B4310022	EPDM EPDM	Ray Kapama Contası Gasket For Frame Rails	343 mt. 
	B4410021	EPDM EPDM	Sineklik Fitili Gasket Flyscreen Sash	383 mt. 

LINEA ROSSA®

LR3200
SLIDING SYSTEM

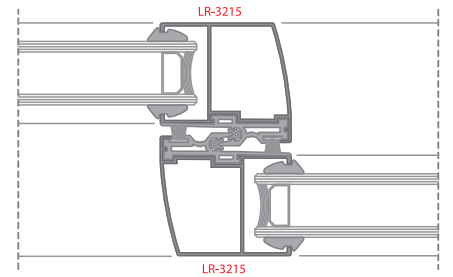
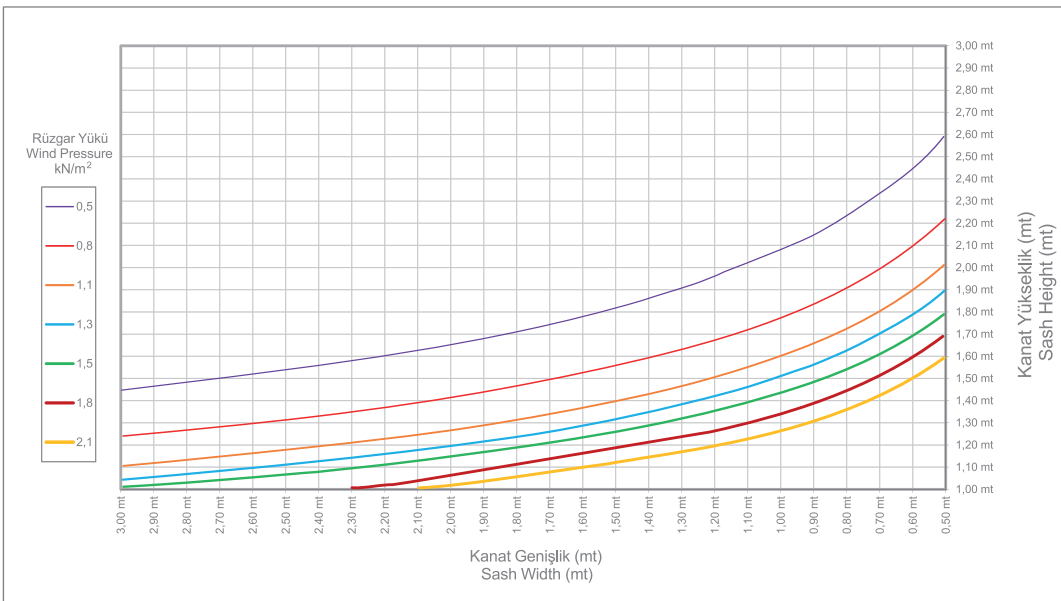
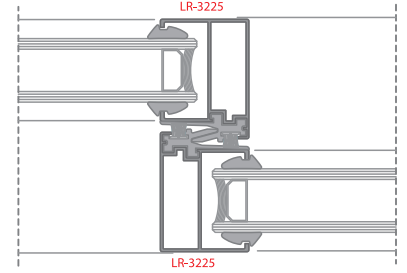
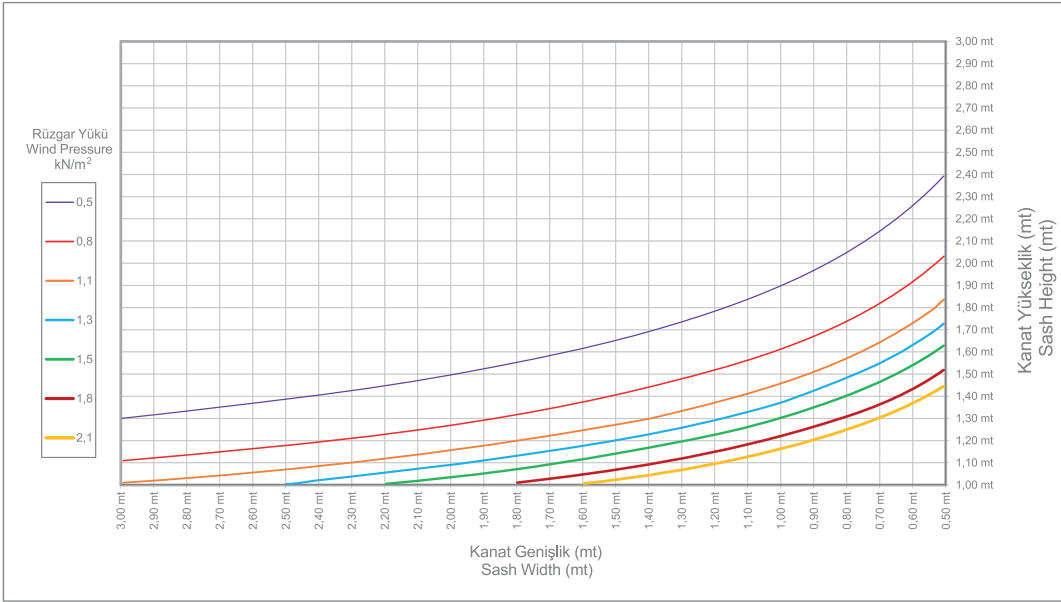
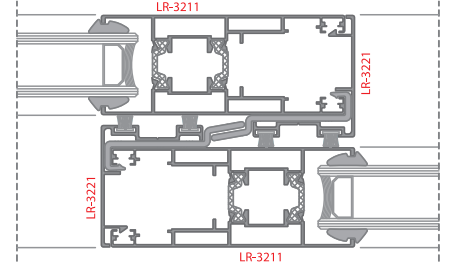
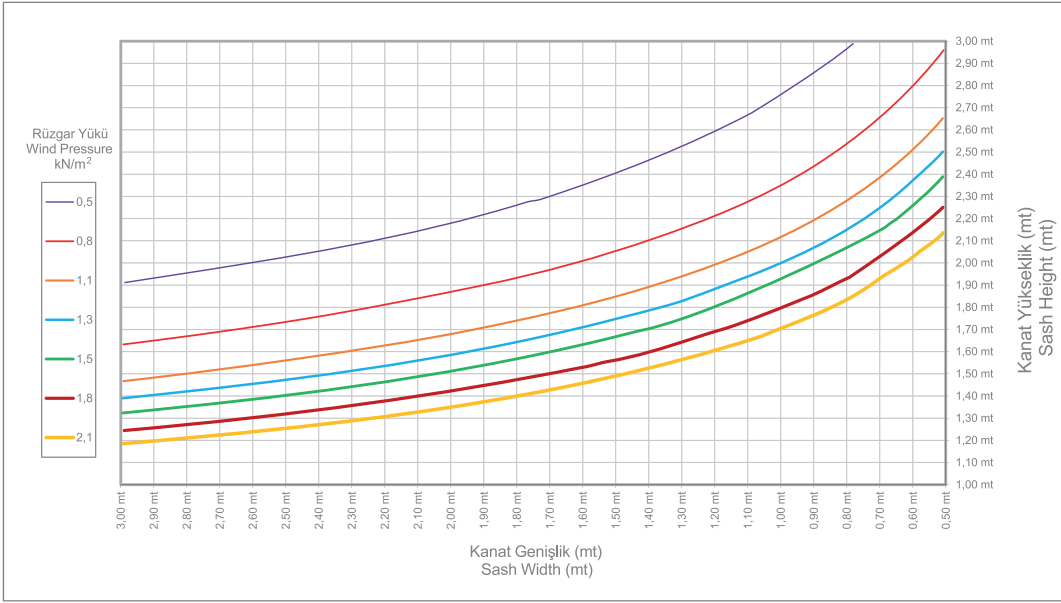
STATİK HESAPLAMALAR

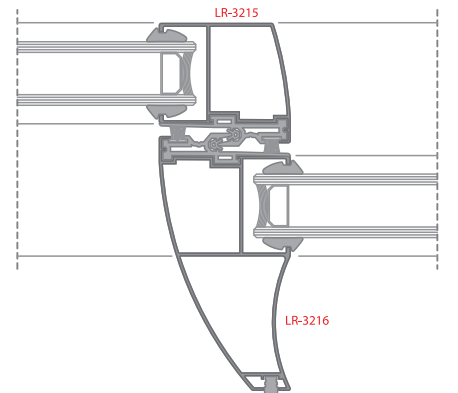
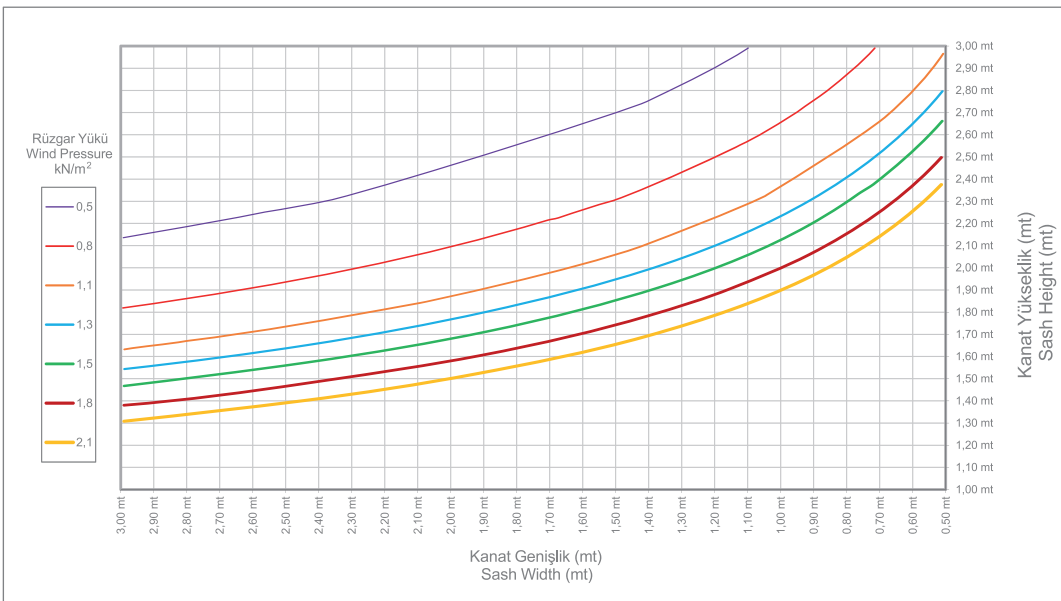
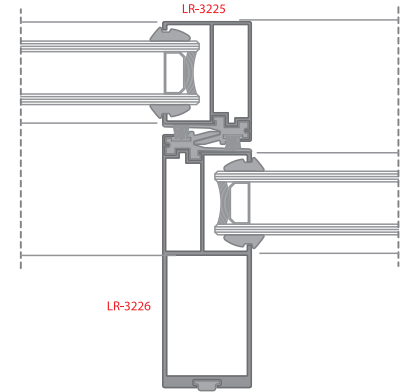
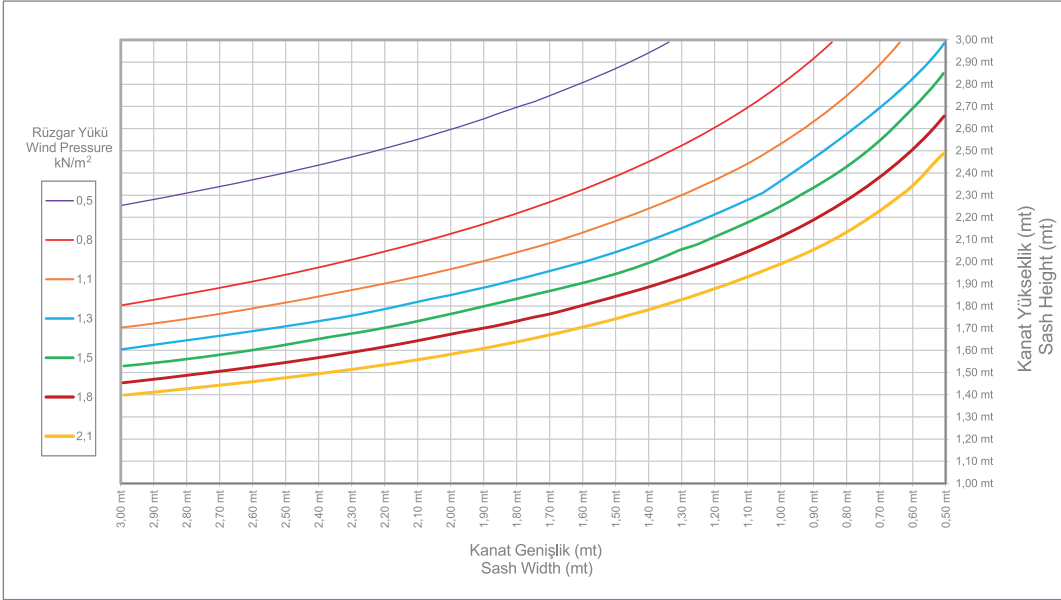
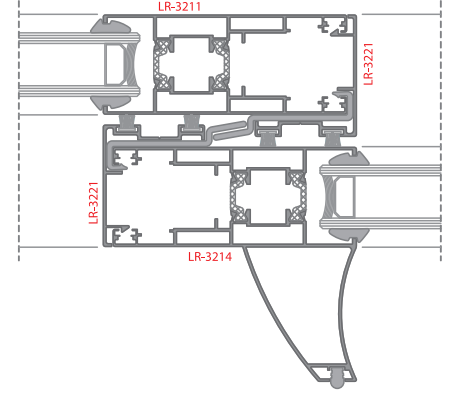
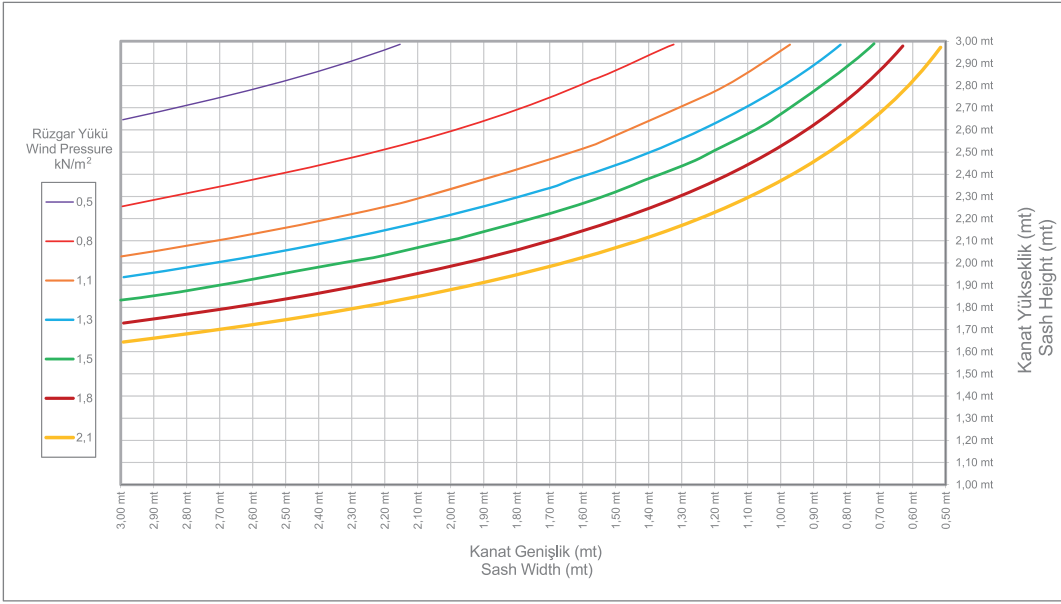
STATİK CALCULATIONS

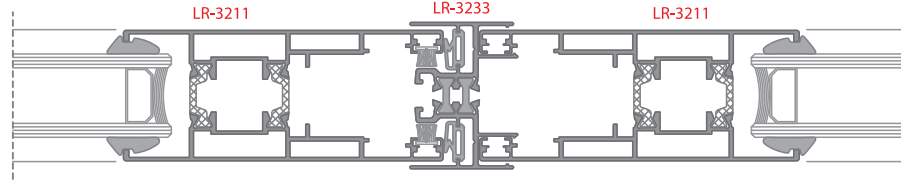
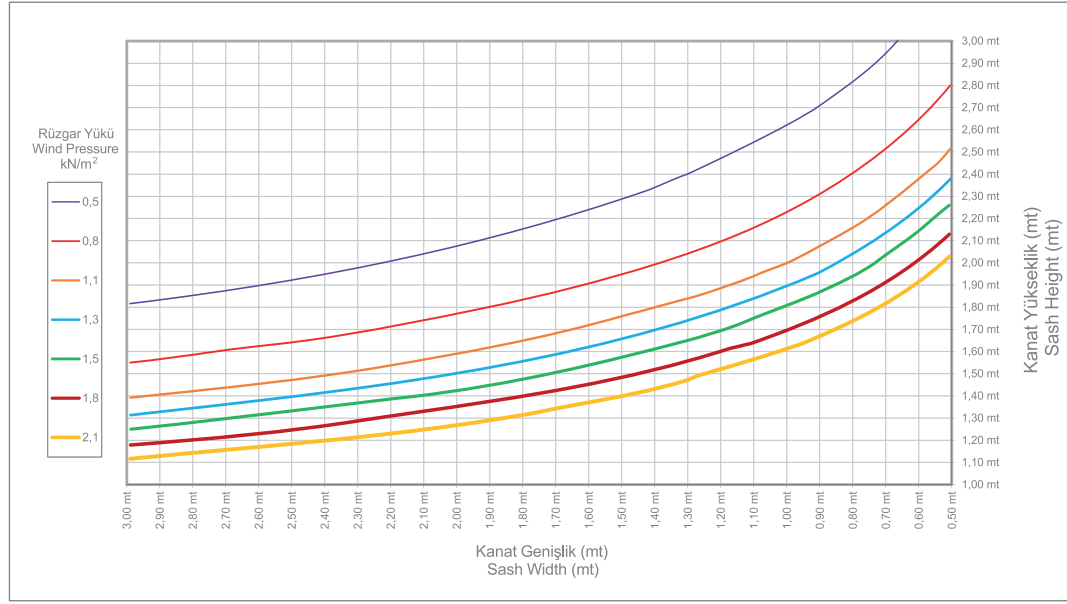


Sehim L/200 olarak yapılmıştır.

Calculated as the deflection L/200





**HESAPLARDA SEHİM KABULÜ:**

Tek Camlarda;

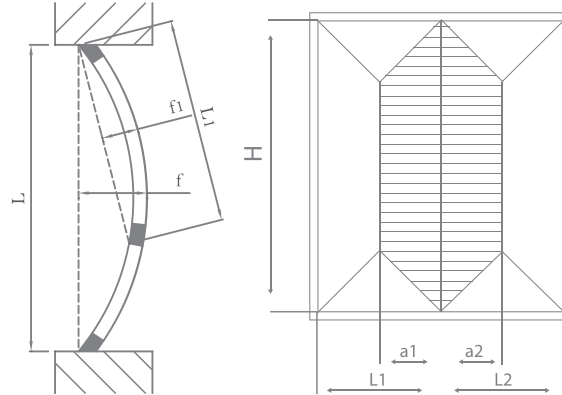
Mesnet Açıklığı Müsade Edilen Sehım

 $L < 3,0 \text{ m}$ $f=L/200$ $L > 3,0 \text{ m}$ $f=L/300$

Çift Camlarda Ara Kayıt Yoksa ;

 $L \geq 3,0 \text{ m}$ $f = \max 0,8 \text{ cm}$ $L < 2,0 \text{ m}$ $f = L/200$

Ara Kayıt Varsa ;

a) Camların boyları $L1$ ise; $L \leq 2,40 \text{ m}$ $f1 \leq L1/300$ $L > 2,40 \text{ m}$ $f1 \leq 0,80 \text{ cm}$ b) Profillerin boyları L ise; $L \leq 3,00 \text{ m}$ $f1 \leq L/200$ $L > 3,00 \text{ m}$ $f1 \leq L/300$ 

$$J_x = \frac{W.a.H^4}{1920.E.f_{\max}} \cdot 10^5 \cdot \left[25-40 \cdot \frac{a^2}{H^2} + 16 \cdot \frac{a^4}{H^4} \right]$$

L1 = Sol rüzgar yükü alanı genişliği / Width of field left (m.)

L2 = Sağ rüzgar yükü alanı genişliği / Width of field right (m.)

a1 = Sol yükleme genişliği / Width of loading left (m.)

a2 = Sağ yükleme genişliği / Width of loading right (m.)

H = Hesap açıklığı / Height of position (m.)

E = Elastisite modülü / Elasticity modulus (Kg/cm²)

f max= Max. Sehım / Deflection (cm.)

W = Rüzgar yükü / Wind loading (Kg/ cm²)**DIN 1055, TS 498**

Yapı Yüksekliği Building Height	Rüzgar Hızı Wind Velocity		Rüzgar Yüğü Wind Load
	m/s	km/h	
0 - 8	28,8	103,2	0,5
8 - 20	35,8	128,2	0,8
20 - 100	42,0	151,2	1,1
≥ 100	45,6	164,2	1,3

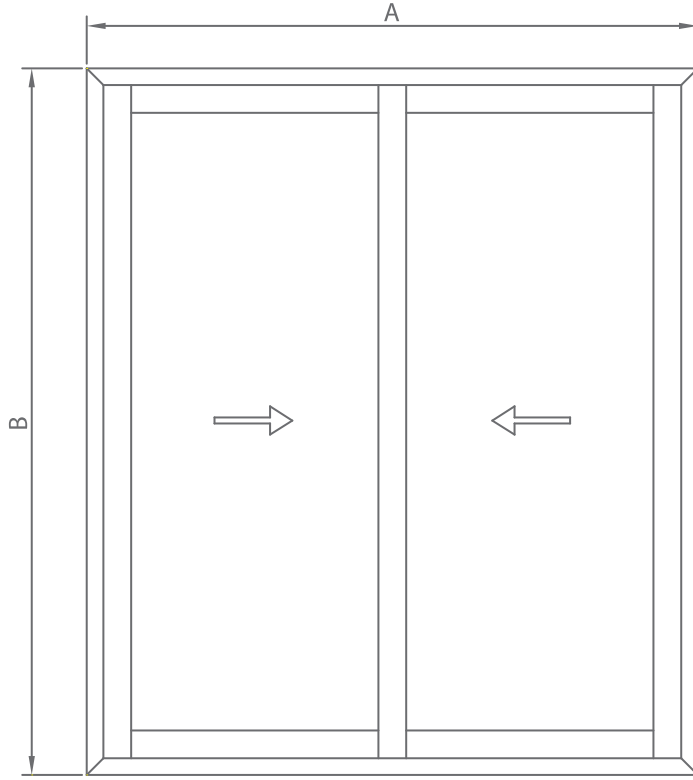
LINEA ROSSA®

LR3200
SLIDING SYSTEM

TERMAL BİLGİLER
THERMAL INFORMATION

Isı Geçirgenlik Şeması

Thermal Isolation



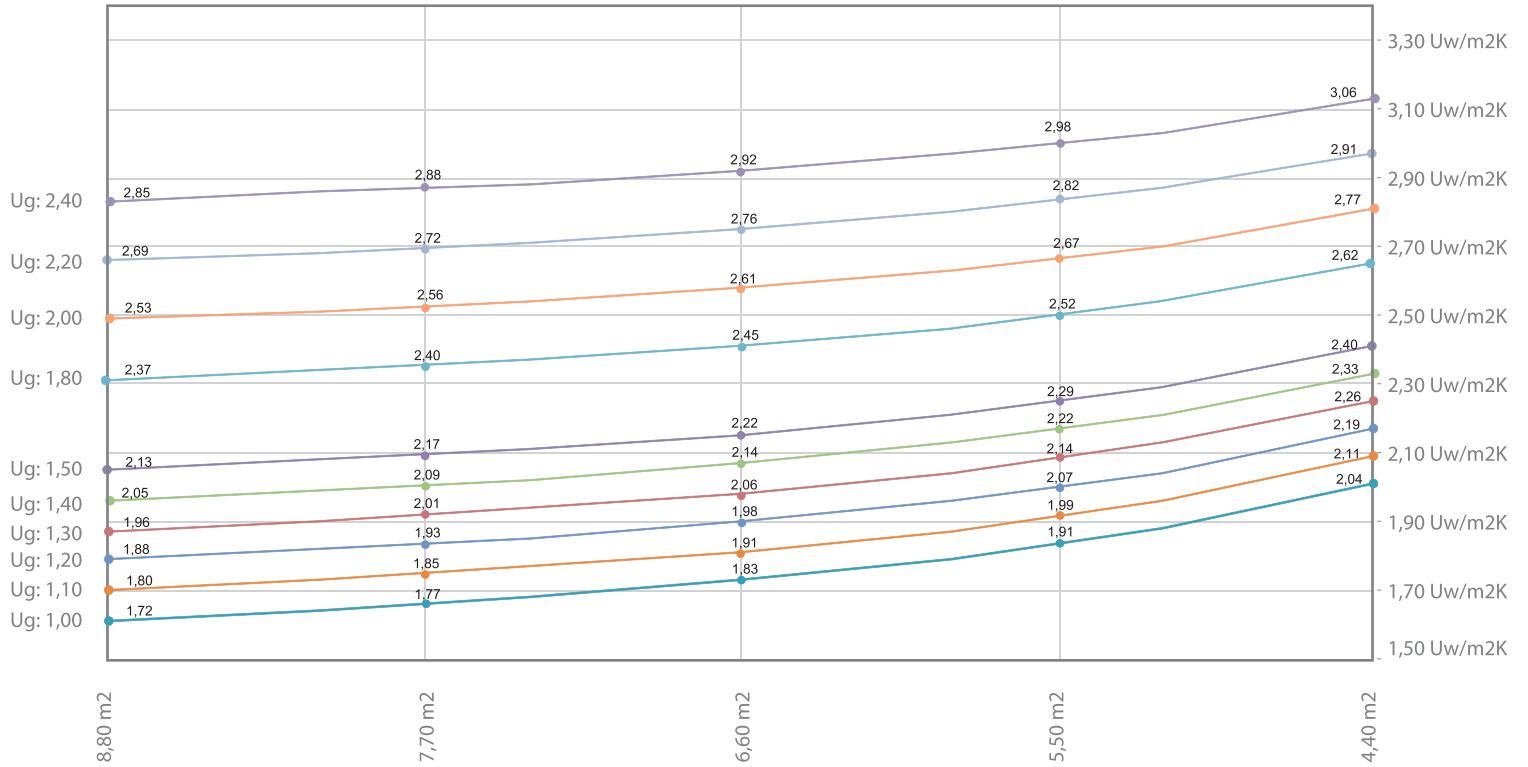
Termal Hesap Koşulları

Thermal Calculation Conditions

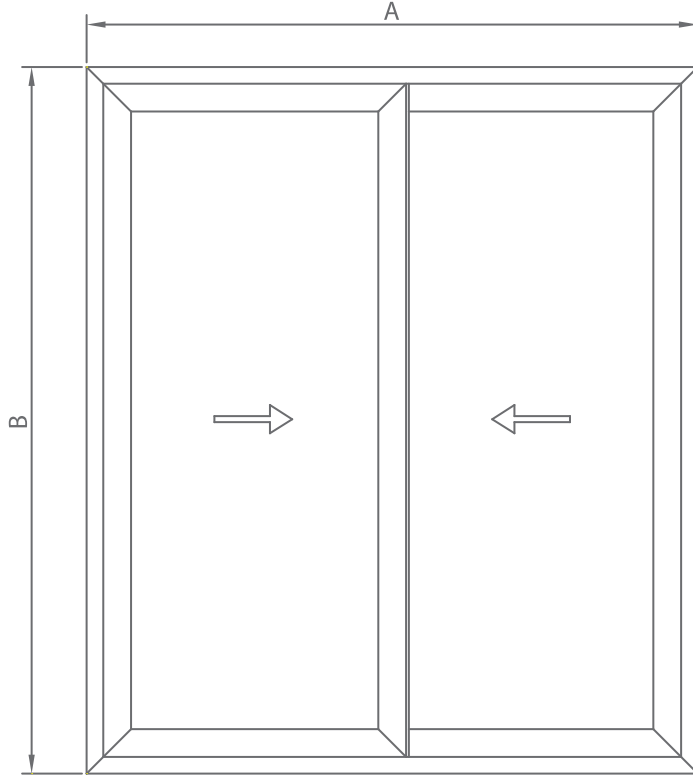
Dış Ortam Sıcaklığı Outer Temperature	-10°C
İç Ortam Sıcaklığı Inside Temperature	+20°C
Bağıl Nem Relative Humidity	%50
Yoğuşma Noktası Condensation Point	+9,3°C

Uf Aralığı : 3,52 - 9,27 W/(m².K)

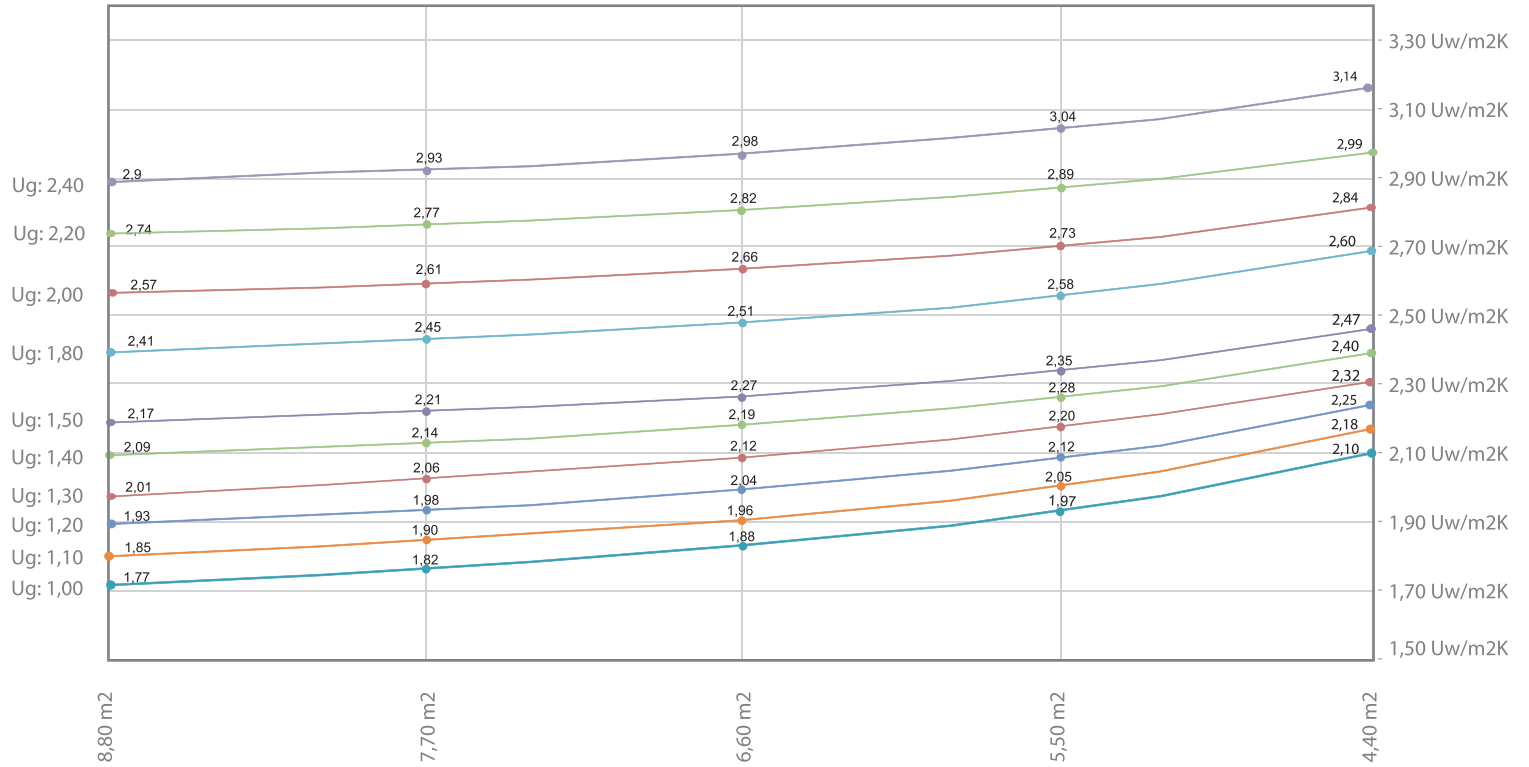
Uf Interval : 3,52 - 9,27 W/(m².K)



Ünite Toplam Alanı
Total Area Unit

Isı Geçirgenlik Şeması
Thermal Isolation

Termal Hesap Koşulları Thermal Calculation Conditions	
Dış Ortam Sıcaklığı Outer Temperature	-10°C
İç Ortam Sıcaklığı Inside Temperature	+20°C
Bağıl Nem Relative Humidity	%50
Yoğuşma Noktası Condensation Point	+9,3°C

Uf Aralığı : 3,52 - 4,67 W/(m².K)Uf Interval : 3,52 - 4,67 W/(m².K)Ünite Toplam Alanı
Total Area Unit

designed by

LINEA ROSSA®
MILANO

LR3200

SLIDING SYSTEM

TEKNİK KATALOG
TECHNIC CATALOGUE

www.linearossa.eu



BEYMETAL ALÜMİNYUM SANAYİ ve TİC. LTD. ŞTİ.
Kemalpaşa Organize Sanayi Bölgesi
Ulusuluk Mevkii İstiklal Mahallesi 21. Sokak
No.5 Ulucak / Kemalpaşa-İZMİR
Tel : +90 232 877 21 14 (pbx) Fax: +90 232 877 03 39
info@beymetal.com.tr | www.beymetal.com.tr

